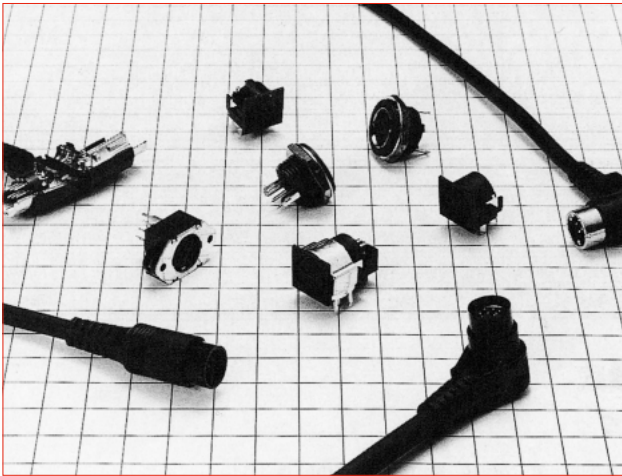


High Performance Miniature Circular Connectors

HR12 Series



■ Features

- Snap lock allows for easy insertion and extraction and prevents the accidental un-mating of the connector due to vibration or impact.
- The plug diameter range from $\phi 12\text{mm}$ to $\phi 16\text{mm}$, and satisfies the need for small-size, light-weight and high-density electronic components.
- Equipped with internal metal parts and a shielding mechanism, the HR12 (20-contacts) and HR212 feature enhanced protection against EMI.

■ Product Specifications

| Ratings | Rated voltage | Rated current | Operating temperature range | Storage temperature range |
|---------|------------------|---------------|-----------------------------|---------------------------|
| | 100V AC, 140V DC | 1A | -15°C to +60°C | -10°C to +60°C |

| Items | Specifications | Conditions |
|--------------------------|---|---|
| 1. Contact resistance | 30m Ω max. (excluding the cable conductor resistance) | Measured at DC 1mA |
| 2. Insulation resistance | 100M Ω min. | Measured at DC 250V |
| 3. Withstanding voltage | No flashover or dielectric breakdown. | AC 300V for 1 minute |
| 4. Vibration resistance | No electrical discontinuity for 10 μ s or greater. | 10 to 55 Hz/cycle, amplitude : 0.75mm, 3 axis directions, 2 hours each |
| 5. Shock resistance | No electrical discontinuity for 10 μ s or greater. | Acceleration: 490m/s ² , duration : 11ms, 3 axis directions, 3 cycles each |
| 6. Mating Cycles | 30m Ω max. of contact resistance (excluding the cable conductor resistance) | 1,000 times |
| 7. Temperature cycle | Insulation resistance : a minimum of 100M Ω | -25°C : 30 minutes → Normal temperature : 10 to 15 minutes → 70°C : 30 minutes → Normal temperature : 10 to 15 minutes, left for 5 cycles |
| 8. Moisture resistance | Insulation resistance : 1M Ω min. (at high humidity) 10M Ω min. (when dry) | Temperature : 40°C, relative humidity : 90 to 95%, left for 96 hours |

■ Material / Finish

| Part | Material | Finish |
|-----------|---|---|
| Insulator | Soft vinylchloride (UL94V-0) and Polypropylene (UL94V-0) PBT resin (UL94V-0) and Polycarbonate (UL94V-1) | — |
| | Brass, and Zinc alloy | Tin plated and Nickel plated |
| Contacts | Copper alloy or phosphor bronze | Tin plated or selective gold plated and silver plated |

■ Product Number Structure

● Cable Plug

HR12 **A** - **10** **L** **A** **A** **8** **P** **C** **A** **300** **A** (***)

①
②
③
④
⑤
⑥
⑦
⑧
⑨
⑩
⑪
⑫
⑬
⑭

● Plug (Assembly type) and Receptacle

HR12 - **10** **R** **C** - **8** **SDL** (**)

①
③
④
⑥
⑦
⑧
⑭

● Attachment

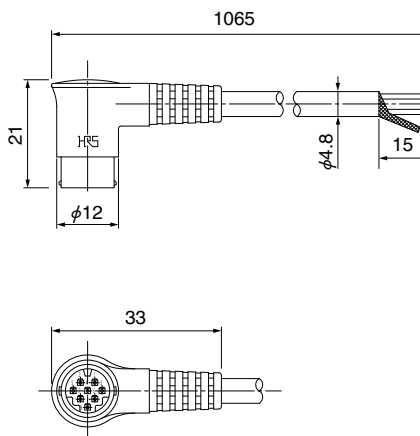
HR12 - **10** **R** - **SP** (**)

①
③
④
⑬
⑭

| |
|---|
| <p>① Model : Series name. HR212 is a enhanced shielding type.</p> |
| <p>② Indication of terminal connector provided or not: For models with connectors on both sides, different signs are used depending on the type of connector on one side.</p> |
| <p>③ Shell size : Indicates the outside diameter of the plug mating part.</p> |
| <p>④ Connector form : P : Straight plug LP or L : Right angle R : Receptacle</p> |
| <p>⑤ Cable removal directions for a right angle plug are classified as follows : A : The cable removal direction is on the right with the guide facing upward viewed from the mating part. B : The cable removal direction is on the left with the guide facing upward viewed from the mating part.</p> |
| <p>⑥ Types of connector : A connector with two or more varieties is classified by A, B, C,.....</p> |
| <p>⑦ Number of contacts</p> |
| <p>⑧ Contact form : Classifies the type of contacts as follows: The plug has only male contacts, and the receptacle has only female contacts. P : Male contact PC: Crimp male contact (assembly type plug) SC : Crimp female contact SD : Straight dip female contact SDL : Right angle dip female contact</p> |
| <p>⑨ Shape of cable : C : Curled cord S : Straight cord</p> |
| <p>⑩ Type of cable : Cables connected to the plug are identified by A, B, C,..... when they are different in construction and number of cores.</p> |
| <p>⑪ Cable length : indicates the length in mm of the cable connected to the plug. Curled cord length : Length of curled part Straight cable length : Cable length</p> |
| <p>⑫ Shape of cable end: Plugs with cables of the same shape but different in cable end dimensions and finishing are identified by A, B, C,.....</p> |
| <p>⑬ Types of accessories : SP : Stopper plate</p> |
| <p>⑭ Other specifications : A two-digit character is added to indicate other specifications as needed.</p> |

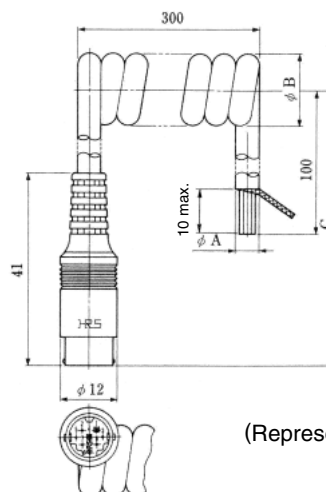
HR12 Type

Right Angle Plug



| Part No. | HRS No. | No. of contacts | No. of conductors of cable | Remarks |
|----------------------|---------------|-----------------|----------------------------|--------------------------------------|
| HR12-10LA8PS1065(71) | 112-3040-0 71 | 8 | 8-conductor (Shielded) | Straight cord Terminal tin plated |

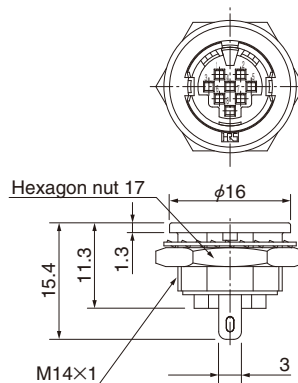
Straight Plug



(Representative example)

| Part No. | HRS No. | No. of contacts | ϕA | ϕB | C | No. of conductors of cable | Remarks |
|-----------------------|---------------|-----------------|----------|----------|-----|----------------------------|-------------------------------------|
| HR12-10P5PCD300(71) | 112-0101-6 71 | 5 | 4.8 | 15 | 720 | 5-conductor (Shielded) | Curled cord Terminal tin plated |
| HR12-10P8PC300(71) | 112-0102-9 71 | 8 | | | | 8-conductor (Shielded) | |
| HR12-10P10PCAE300(71) | 112-0133-2 71 | 10 | 5.5 | 17.5 | 700 | 10-conductor (Shielded) | Curled cord Terminal gold plated |

Receptacle (Crimp Type)

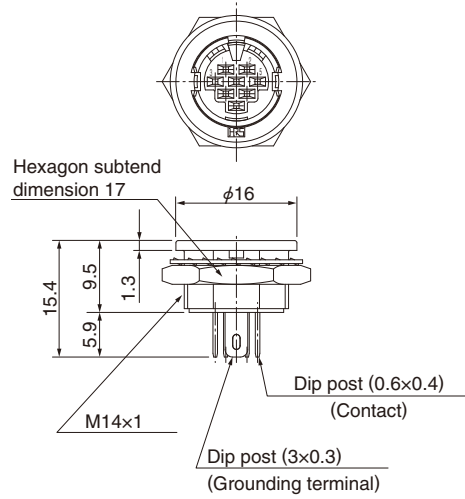


(Representative example)

| Part No. | HRS No. | No. of contacts |
|------------------|---------------|-----------------|
| HR12-10R-5SC(71) | 112-0501-4 71 | 5 |
| HR12-10R-8SC(71) | 112-0504-2 71 | 8 |

Remarks: For the mounting holes, see page 4.

■ Receptacle (Straight Dip Type)

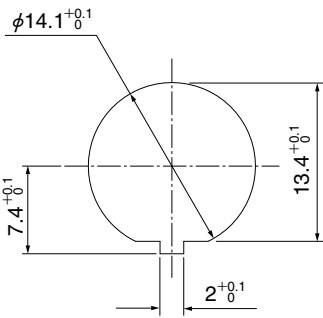


(Representative example)

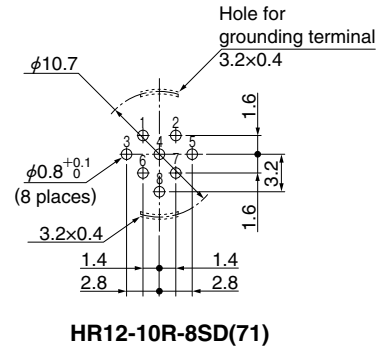
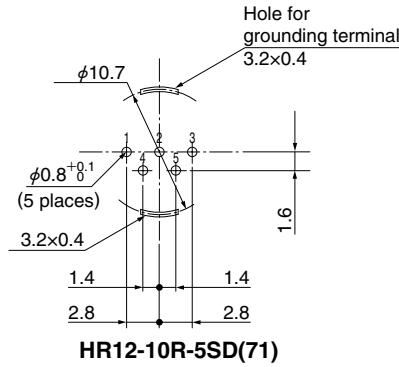
| Part No. | HRS No. | No. of contacts | Remarks |
|------------------|---------------|-----------------|---------------------|
| HR12-10R-5SD(71) | 112-0502-7 71 | 5 | Terminal tin plated |
| HR12-10R-8SD(71) | 112-0505-5 71 | 8 | |

Remarks : Refer to following diagram for panel mounting dimensions and dip post arrangement dimensions.

◆ Panel mounting dimensions
 (Panel thickness 1 to 4.7)

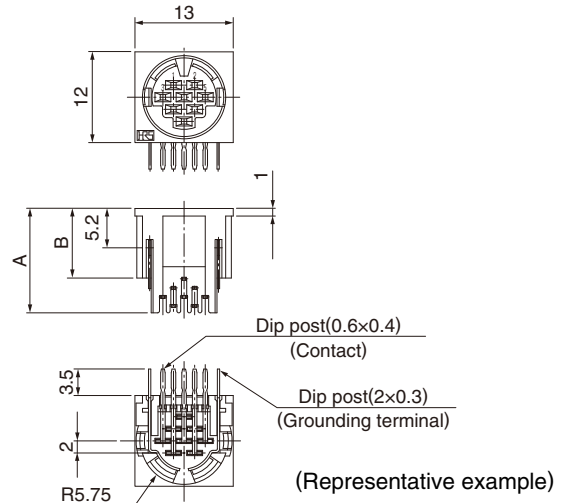


◆ Receptacle Dip Post



Remarks : Dimensional tolerance of $\pm 0.05\text{mm}$ is recommended for the board arrangement.

Receptacle(Right Angle Dip)

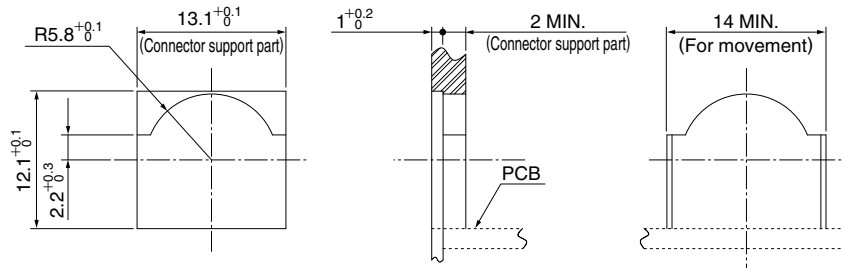


(Note)
This product should be mounted on the panel to hold with the interface portion, as shown in the panel mounting hole dimension diagram.
When it is difficult to press the connector into the panel, we recommend using the attached stopper plate HR12-10R-SP(71) (112-0507-0 71) as described on page 7.

| Part No. | HRS No. | No. of contacts | A | B | Remarks |
|--------------------|---------------|-----------------|------|------|--|
| HR12-10R-5SDL(71) | 112-0503-0 71 | 5 | 13 | 10.5 | Terminal tin plated |
| HR12-10R-8SDL(71) | 112-0506-8 71 | 8 | 13.8 | 9.3 | |
| HR12-10RC-8SDL(71) | 112-0514-6 71 | | | | Equipped with stopper plate Terminal tin plated |

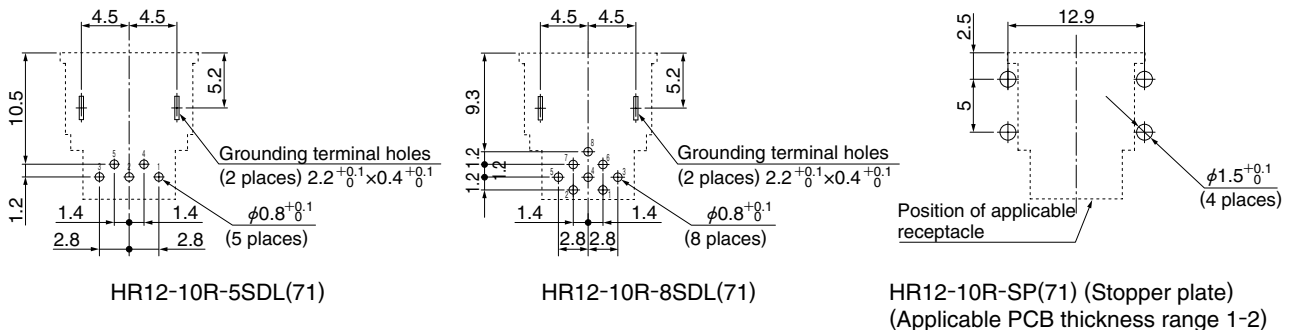
Remarks : For dip post arrangement see below figure.

Panel mounting dimensions



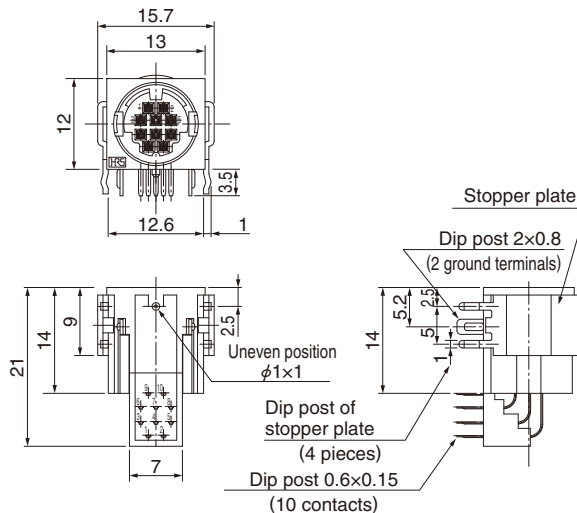
Note : Pay attention that this dimension is not available for 10 contacts.

Receptacle dip post arrangement



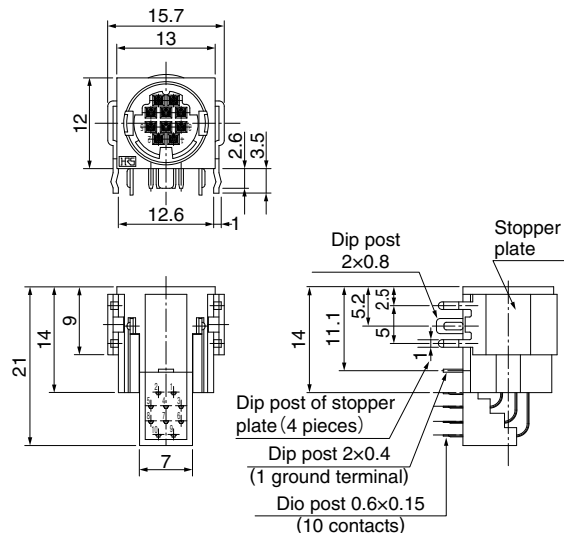
Remarks : Dimensional tolerance of $\pm 0.05\text{mm}$ is recommended for the board arrangement.

■ Receptacle (Right Angle Dip)



| Part No. | HRS No. | No. of contacts | Remarks |
|---------------------|---------------|-----------------|---|
| HR12-10RC-10SDL(73) | 112-0511-8 73 | 10 | Color: Black Stopper plate Terminal gold plated |

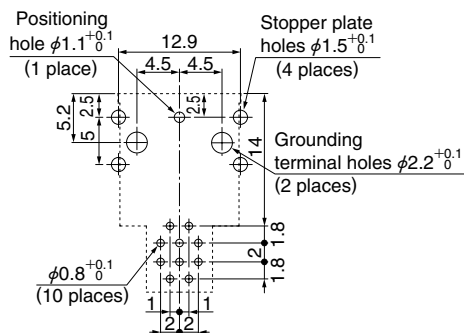
Remarks : For dip post arrangement see below figure.



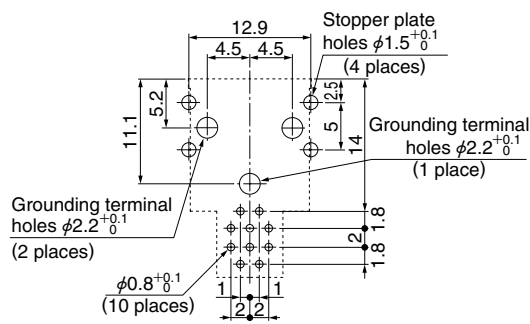
| Part No. | HRS No. | No. of contacts | Remarks |
|---------------------|---------------|-----------------|---|
| HR12-10RD-10SDL(71) | 112-0512-0 71 | 10 | Color: Black Stopper plate Terminal gold plated |

Remarks : For dip post arrangement see below figure.

◆ Receptacle dip post arrangement



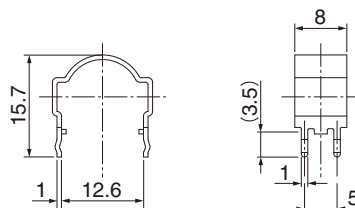
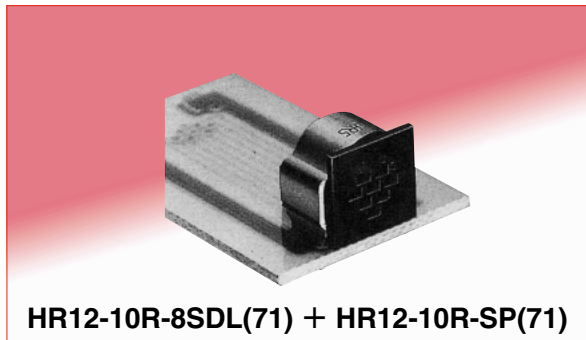
HR12-10RC-10SDL(73)



HR12-10RD-10SDL(71)

Remarks : Dimensional tolerance of $\pm 0.05\text{mm}$ is recommended for the board arrangement.

Stopper Plate

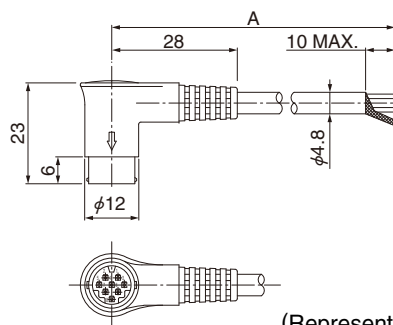


| Part No. | HRS No. | Applicable connector | Applicable PCB thickness |
|-----------------|---------------|----------------------|--------------------------|
| HR12-10R-SP(71) | 112-0507-0 71 | HR12-10R-*SDL | t : 1 to 2 |

Remarks : 1. The *mark shows the number of pins.
2. For dip post arrangement, see page 5.

HR12 Type (20 contacts) /HR212 Type

Right Angle Plug (With straight)



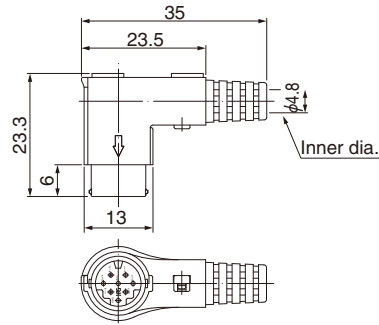
(Representative example)

| Part No. | HRS No. | No. of contacts | A | No. of conductors of cable | Remarks |
|-------------------------|---------------|-----------------|------|----------------------------|---|
| HR212-10LA8PSAT1028(72) | 112-2120-1 72 | 8 | 1028 | 8-conductor (Shielded) | Color: Black Terminal: Selective gold plated |
| HR212-10LA8PSAT3028(72) | 112-2121-4 72 | | 3028 | | |

Remarks : Cable can be taken-out only in direction A.

Right Angle Plug (Assembly Type)

Solder Type

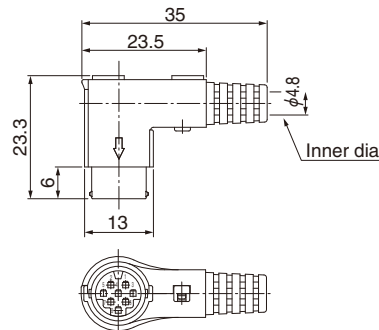


| Part No. | HRS No. | No. of contacts | Remarks |
|-------------------|---------------|-----------------|--|
| HR212-10LP-8P(73) | 112-4002-6 73 | 8 | Color : Black Terminal : Selective gold plated |
| HR212-10LP-8P(74) | 112-4002-6 74 | | Color : Sand beige Terminal : Selective gold plated |

Remarks : Cable can be taken-out only in direction A.

Note : Because the cable clamping and rotational forces may vary with different cable types, it is recommended to verify the suitability of the cable assembly before use or production.

Crimp Type

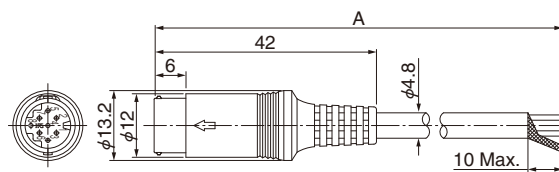


| Part No. | HRS No. | No. of contacts | Remarks |
|--------------------|---------------|-----------------|---------------|
| HR212-10LP-8PC(71) | 112-4101-8 71 | 8 | Color : Black |

Remarks : Cable can be taken-out only in direction A.

Note : Because the cable clamping and rotational forces may vary with different cable types, it is recommended to verify the suitability of the cable assembly before use or production.

Straight Plug (With straight cable)

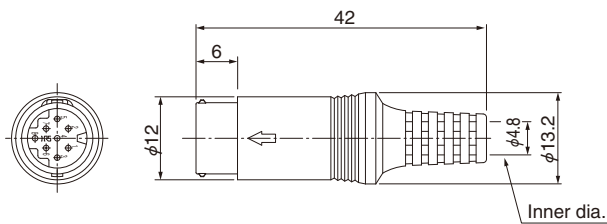


(Representative example)

| Part No. | HRS No. | No. of contacts | A | No. of conductors of cable | Remarks |
|------------------------|---------------|-----------------|------|----------------------------|---|
| HR212-10P8PSAT1042(72) | 112-2220-6 72 | 8 | 1042 | 8-conductor (Shielded) | Color : Black Terminal : Selective gold plated |

Straight Plug (Assembly Type)

Solder Type

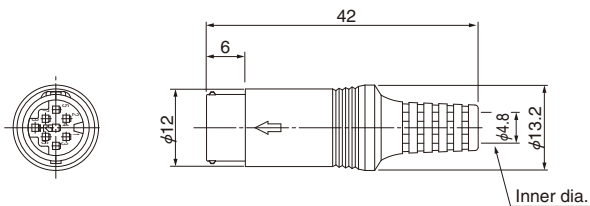


(Representative example)

| Part No. | HRS No. | No. of contacts | Remarks |
|------------------|---------------|-----------------|--|
| HR212-10P-8P(71) | 112-4001-3 71 | 8 | Color : Black Terminal : Tin plated |
| HR212-10P-8P(72) | 112-4001-3 72 | | Color : Sand beige Terminal : Tin plated |
| HR212-10P-8P(73) | 112-4001-3 73 | | Color : Black Terminal : Selective gold plated |
| HR212-10P-8P(74) | 112-4001-3 74 | | Color : Sand beige Terminal : Selective gold plated |

Note : Because the cable clamping and rotational forces may vary with different cable types, it is recommended to verify the suitability of the cable assembly before use or production.

Crimp Type

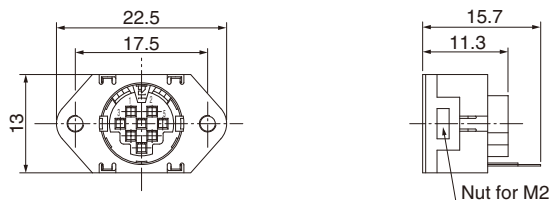


(Representative example)

| Part No. | HRS No. | No. of contacts | Remarks |
|--------------------|---------------|-----------------|-------------------|
| HR212-10P-8PC(71) | 112-4051-1 71 | 8 | ----- |
| HR212-10P-8PC(72) | 112-4051-1 72 | | Color: Sand beige |
| HR212-10P-10PC(71) | 112-4052-4 71 | 10 | ----- |
| HR212-10P-10PC(72) | 112-4052-4 72 | | Color: Sand beige |

Note : Because the cable clamping and rotational forces may vary with different cable types, it is recommended to verify the suitability of the cable assembly before use or production.

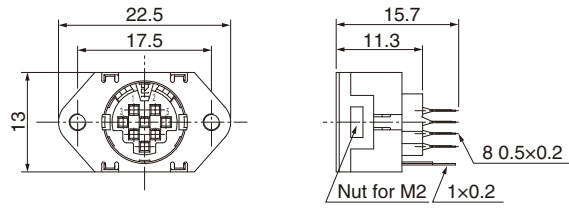
Receptacle (Crimp Type)



(Representative example)

| Part No. | HRS No. | No. of contacts | Remarks |
|-------------------|---------------|-----------------|---------|
| HR212-10R-8SC(71) | 112-2001-2 71 | 8 | ----- |

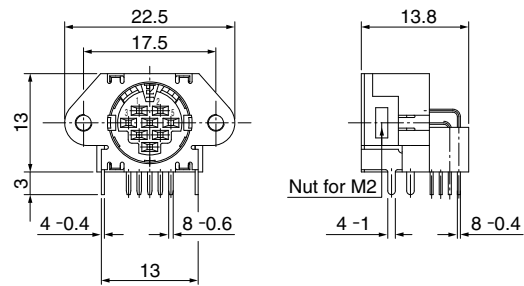
■ Receptacle (Straight Dip Type)



| Part No. | HRS No. | No. of contacts | Remarks |
|-------------------|---------------|-----------------|---|
| HR212-10R-8SD(73) | 112-2002-5 73 | 8 | Color : Black Terminal : Tin plated |
| HR212-10R-8SD(74) | 112-2002-5 74 | | Color : Black Terminal : Selective gold plated |

Remarks : For dip post arrangement, see below figure.

■ Receptacle (Right Angle Dip Type)

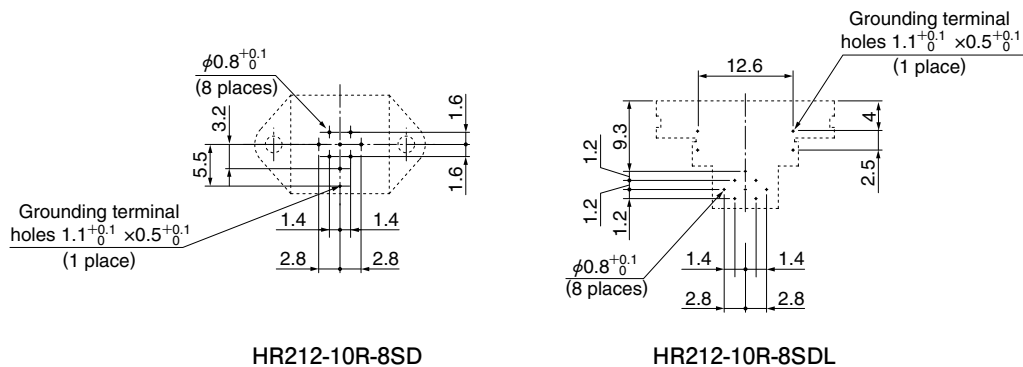


(Representative example)

| Part No. | HRS No. | No. of contacts | Remarks |
|--------------------|---------------|-----------------|--|
| HR212-10R-8SDL(73) | 112-2003-8 73 | 8 | Color : Black Terminal : Tin plated |
| HR212-10R-8SDL(72) | 112-2003-8 72 | | Color : Sand beige Terminal : Selective gold plated |

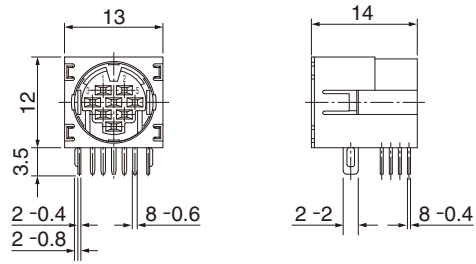
Remarks : For dip post arrangement, see below figure.

◆ Receptacle Dip Post Layout



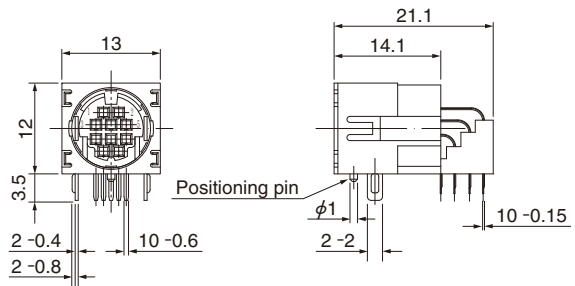
Remarks : Dimensional tolerance of $\pm 0.05\text{mm}$ is recommended for the board arrangement.

Receptacle (Right Angle Dip Type)



| Part No. | HRS No. | No. of contacts | Remarks |
|---------------------|---------------|-----------------|--|
| HR212-10RA-8SDL(74) | 112-2004-0 74 | 8 | Color : Sand beige Terminal : Tin plated |
| HR212-10RA-8SDL(72) | 112-2004-0 72 | | Color : Sand beige Terminal : Selective gold plated |
| HR212-10RA-8SDL(73) | 112-2004-0 73 | | Color : Black Terminal : Selective gold plated |

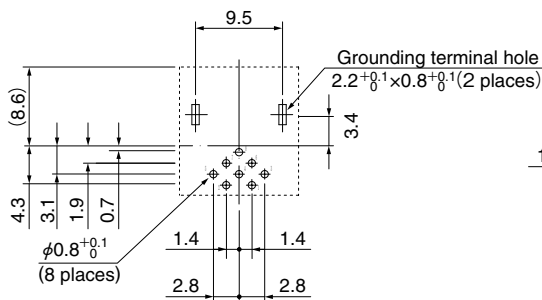
Remarks : For dip post arrangement, see below figure.



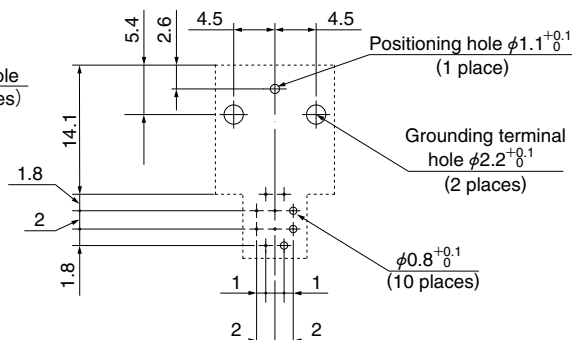
| Part No. | HRS No. | No. of contacts | Remarks |
|----------------------|---------------|-----------------|---|
| HR212-10RC-10SDL(74) | 112-2009-4 74 | 10 | Color : Black Terminal : Selective gold plated |

Remarks : For dip post arrangement, see below figure.

Receptacle Dip Post Layout



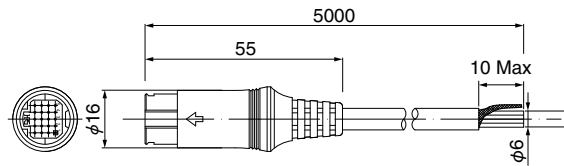
HR212-10RA-8SDL



HR212-10RC-10SDL

Remarks : Dimensional tolerance of $\pm 0.05\text{mm}$ is recommended for the board arrangement.

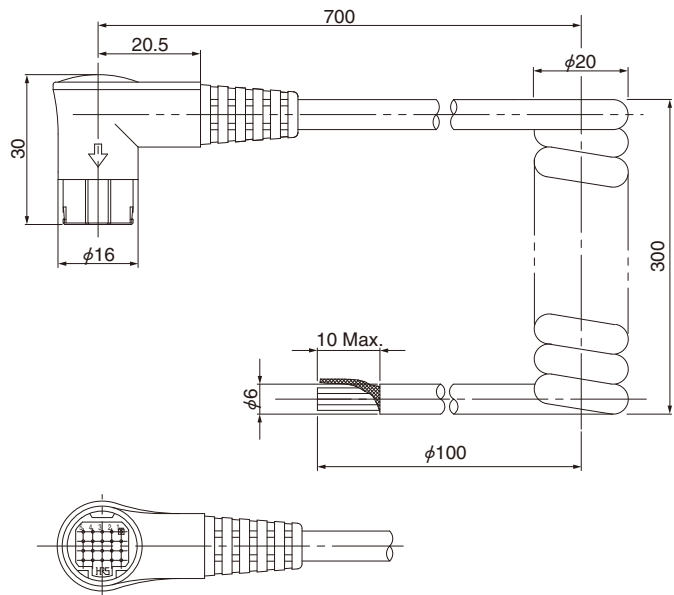
■ Straight Plug



(Representative example)

| Part No. | HRS No. | No. of contacts | No. of conductors of cable | Remarks |
|-----------------------|---------------|-----------------|----------------------------|---|
| HR12-14P20PSD5000(71) | 112-1105-2 71 | 20 | 20-conductor (Shielded) | Straight cord Terminal : silver plated |

■ Right Angle Plug



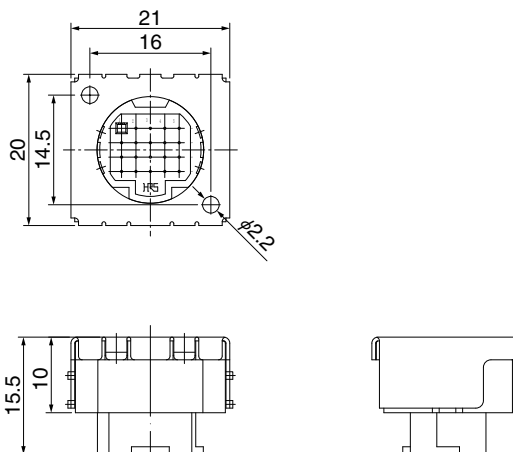
| Part No. | HRS No. | No. of contacts | No. of conductors of cable | Remarks |
|----------------------|---------------|-----------------|----------------------------|---|
| HR12-14LA20PC300(71) | 112-1001-7 71 | 20 | 20-conductor (Shielded) | Curled cord Terminal : silver plated |

Remarks : Cable can be taken-out only in direction A.

■ Receptacle (Crimp Type)



HR12-14RA-20SC

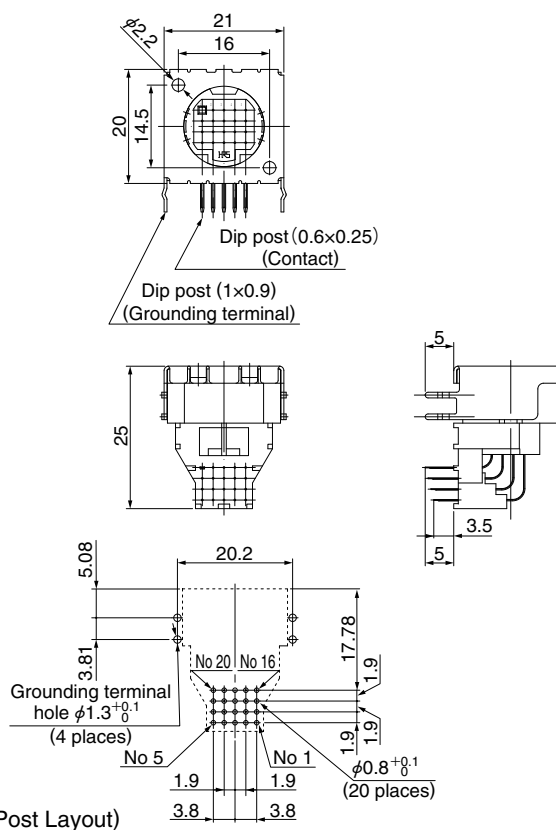


| Part No. | HRS No. | No. of contacts | Remarks |
|----------------|------------|-----------------|------------------|
| HR12-14RA-20SC | 112-1504-8 | 20 | With hexagon nut |

■ Receptacle (Right Angle Dip Type)



HR12-14R-20SDL

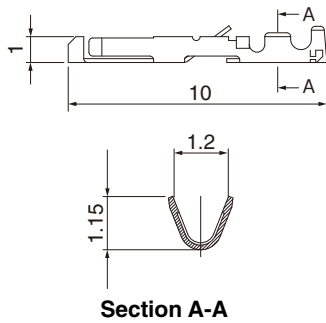


| Part No. | HRS No. | No. of contacts | Remarks |
|-----------------|------------|-----------------|---|
| HR12-14RA-20SDL | 112-1502-2 | 20 | With hexagon nut Terminal: silver plated |

Remarks : Dimensional tolerance of ±0.05mm is recommended for the board arrangement.

◆ Contact

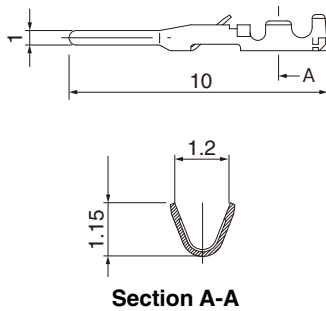
● Female Contact



| Type | Part No. | HRS No. | Plated | Applicable wire |
|----------------|-------------|------------|-----------------------|-----------------|
| Loose contacts | HR12-SC-111 | 112-0410-0 | Selective gold plated | 26 to 30 AWG |
| | HR12-SC-112 | 112-0411-3 | Silver plated | |
| | HR12-SC-113 | 112-0412-6 | Tin plated | |
| Reel contacts | HR12-SC-211 | 112-0407-6 | Selective gold plated | |
| | HR12-SC-212 | 112-0408-9 | Silver plated | |
| | HR12-SC-213 | 112-0409-1 | Tin plated | |

Note 1. Use cables with cable covering outer dia. ϕ 1mm or less.
 2. Loose piece contacts are packaged 100 pcs/pack.
 Reel contacts are packaged 10,000 pcs/reel.

● Male Contact



| Type | Part No. | HRS No. | Plated | Applicable wire |
|----------------|-----------------|---------------|-----------------------|-----------------|
| Loose contacts | HR10-PC-111 | 110-0515-6 | Selective gold plated | 26 to 30 AWG |
| | HR10-PC-113(71) | 110-0519-7 71 | Tin plated | |
| Reel contacts | HR10-PC-211 | 110-0516-9 | Selective gold plated | |
| | HR10-PC-213(71) | 110-0520-6 71 | Tin plated | |

Note 1. Use cables with cable covering outer dia. ϕ 1mm or less.
 2. Loose piece contacts are packaged 100 pcs/pack.
 Reel contacts are packaged 10,000 pcs/reel.

◆ Applicable tools

| Type | Item | Part No. | HRS No. | Applicable terminal | Applicable wire |
|-----------------|---------------------------------|--------------|------------|---------------------|-----------------|
| Manual | Manual crimping tool | HR12-SC-TC | 150-0052-9 | HR10-PC- 111 | 26 to 30 AWG |
| | | | | HR12-SC- 112 | |
| Automatic | Automatic crimping machine body | CM-105C | 901-0001-0 | ————— | ————— |
| | Applicator | AP105-HR12-1 | 901-2015-9 | HR10-PC- 211 | 26 to 30AWG |
| Extraction tool | HR12-SC-TP | 150-0050-3 | 150-0050-3 | HR12-SC- 113 | |
| | | | | HR12-SC- 211 | |
| Extraction tool | RP6-SC-TP | 150-0039-0 | 150-0039-0 | HR10-PC- 111 | ————— |
| | | | | HR10-PC- 113(71) | |
| Extraction tool | RP6-SC-TP | 150-0039-0 | 150-0039-0 | HR10-PC- 211 | ————— |
| | | | | HR10-PC- 213(71) | |



(HR12-SC-TC)
Hand Crimp Tool



(HR12-SC-TP) (RP6-SC-TP)
Extraction Tool



Auto Crimp Tool
CM-105C

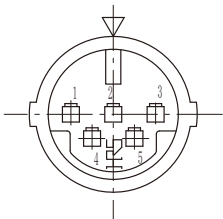
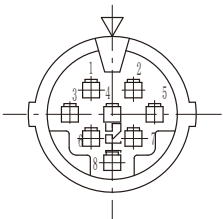
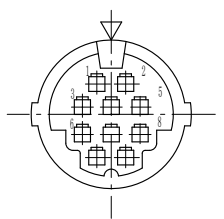
◆ Cable Connecting Procedures

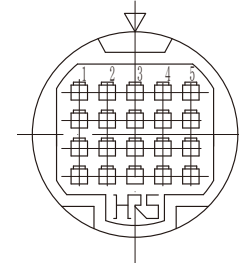
● Works Process

| | Right-angle Plug | Straight Plug |
|----|--|---|
| 1 | Use cables of finished dia. 4.8mm and nominal conductor cross section of 0.129mm ² (AWG#26) and under. (Inner dia. of solder pot of soldering terminal is φ0.7mm.) | |
| 2 | Insert bushing over cable as shown in Fig.1. | Install hood over cable. Figure of straight type is omitted. |
| 3 | <p>Fig.1</p> <p>Make cable end treatment to the dimensions shown in Fig.1. For shield cable, an example of cable end treatment is given below. (1) Firmly wrap the cable sheath end with copper tape 6mm wide, 16mm long and 85μm thick (overall thickness including adhesive). (2) Bundle up the shield cables, and tight twist. (Twist at least three turns over 6mm in length from the cable sheath tip) (3) Cut the shield cables at 6^{±0.1}mm from the cable sheath tip, and fold back as shown in Fig.1.</p> | |
| 4 | (Soldering Type) Solder cables to mold block into which terminals are assembled. (Crimping Type) Use applicable tool (HR12-SC-TC or CM-105) to crimp connect cables to applicable crimping terminals, then insert crimped terminals into mold and fix them to complete the mold block. | |
| 5 | Assemble mold block having cables connected to location P shell A as shown in Fig.1. Carefully note that mold block and P shell A have directional polarization. | |
| 6 | Assemble bundled shield cables so that they are positioned at the center (C section) of cable outlet of P shell A as shown in Fig.1. | |
| 7 | Install P shell B over P shell A as shown in Fig.2 and avoid catching of internal cables. Use the M2 self-tapping screws supplied (shape of screw head is phillip #0 for precision machinery) to secure from the direction of P shell B (2 places). <p>Fig.2.</p> | |
| 8 | Move bushing to the end face of P shell, and put P shell and bushing into the casing as shown in Fig.2. <p>Fig.3</p> | With groove of hood and protruding portion of P shell aligned, install hood over P shell as shown in Fig.3. |
| 9 | Install casing over P shell as shown in Fig.4. <p>Fig.4</p> | |
| 10 | Now assembling is completed. | |

Jun.1.2018 Copyright 2018 HIROSE ELECTRIC CO., LTD. All Rights Reserved.

◆ Terminal Arrangement and performance

| Shell size | 10 sizes | | |
|-----------------------|---|--|---|
| Terminal arrangement |  |  |  |
| No. of contacts | 5 | 8 | 10 |
| Withstand voltage | 300V AC for 1 minute | | |
| Rated current | 1A | | |
| Insulation resistance | 200MΩ or more at 250V DC | | |
| Contact resistance | 30mΩ or less (excluding cable conductor resistance) | | |

| Shell size | 14 sizes |
|-----------------------|---|
| Terminal arrangement |  |
| No. of contacts | 20 |
| Withstand voltage | 300V AC for 1 minute |
| Rated current | 1A |
| Insulation resistance | 200mΩ or more at 250V DC |
| Contact resistance | 30mΩ or less (excluding cable conductor resistance) |

Remarks : 1. The above figures show the receptacle pin inserts as viewed from the mating side.
 2. Withstand voltage shows the testing voltage.
 3. Contact resistance is as measured at 1A DC.

◆ Precautions

This product series uses silver plated contacts. Silver reacts easily to exposure to sulfur gas so the below conditions may cause tarnishing.

- Dusty environments
- Area with a high concentration area of gases such as sulfur dioxide gas, hydrogen sulfide gas, nitrogen dioxide gas and so on. Example; In close proximity to factory exhaust, automotive emissions, etc.
- Close to heaters, or in other areas marked by extreme temperature differences or high humidity.
- Close to rubber products includes rubber adhesives.

The Electrical connection is not affected by tarnishing on a silver surface due to the wiping effect of the contact pins.

Storage

Packing state; Packed in original packing or equivalent container

Temperature -10 to +60°C

Humidity 85% Max

(It is recommended that the product be stored in an area of normal level of temperature and humidity, and free of any temperature fluctuation)

Please use this products within 6 months of delivery.

(After 6 month, please check the solderbility before use)

“Storage” means long-term storage of the unused products in sealed packaging, prior to assembly to PCB.



HIROSE ELECTRIC CO.,LTD.

2-6-3,Nakagawa Chuoh,Tsuzuki-Ku,Yokohama-Shi 224-8540,JAPAN

TEL: +81-45-620-3526 Fax: +81-45-591-3726

<http://www.hirose.com>

<http://www.hirose-connectors.com>