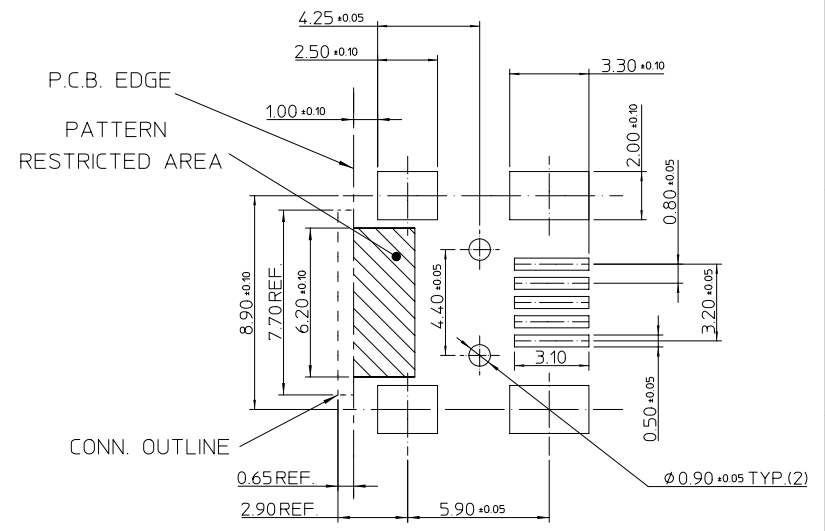


- NOTES :
- MATERIAL : NYLON GLASS FILLED, BLACK, UL94V-0
 TERMINAL : COPPER ALLOY, THICKNESS = 0.2 mm
 SHIELD CASE : COPPER ALLOY, THICKNESS = 0.4 mm
 - PLATING :
 TERMINAL
 CONTACT AREA : GOLD, 0.75 MICROMETER MINIMUM.
 SOLDER TAIL AREA : TIN-LEAD, 3.8 MICROMETER MINIMUM.
 UNDER PLATING : NICKEL, 1.25 MICROMETER MINIMUM.
 SHIELD CASE :
 TIN-LEAD, 2.5 MICROMETER MINIMUM.
 UNDER PLATING : NICKEL, 1.0 MICROMETER MINIMUM.
 - TAIL & NAIL COPLANARITY 0.1mm MAXMUM.
 - PRODUCT SPECIFICATION REFER TO PS-67503-001.
 - PACKAGING INFORMATION REFER TO PK-67503-002



RECOMMENDED P.C.B. PATTERN LAYOUT

R.T.M EC NO: T2002-0270 DRWN: ALLIN 2002/05/22 CHKD: 2002/05/22 APPR: WWSCHAN2002/05/23	QUALITY SYMBOLS ▽ = 0 ∇ = 0	GENERAL TOLERANCES (UNLESS SPECIFIED)		SCALE 8:1	DESIGN UNITS METRIC	THIRD ANGLE PROJECTION	REVISE ON CAD ONLY	
		mm	INCH	DIMENSION STYLE MM ONLY		TITLE		
		4 PLACES ± ---	± ---	DRAWN BY ALLEN	DATE '01/06/19	USB SERIES MINI-B RECEPTACLE ASS'Y FOR SMT(TYPE II)		
		3 PLACES ± ---	± ---	CHECKED BY VLIN	DATE '01/06/19	MOLEX INCORPORATED		
2 PLACES ± 0.25	± ---	ANGULAR ± 3 °		APPROVED BY MLAI	DATE '01/06/19	MATERIAL NO. 67503-0010	DOCUMENT NO. SD-67503-002	
1 PLACE ± 0.25	± ---	DRAFT WHERE APPLICABLE MUST REMAIN WITHIN DIMENSIONS		THIS DRAWING CONTAINS INFORMATION THAT IS PROPRIETARY TO MOLEX INCORPORATED AND SHOULD NOT BE USED WITHOUT WRITTEN PERMISSION				
REV	DESCRIPTION					SHEET NO. 1 OF 1		