

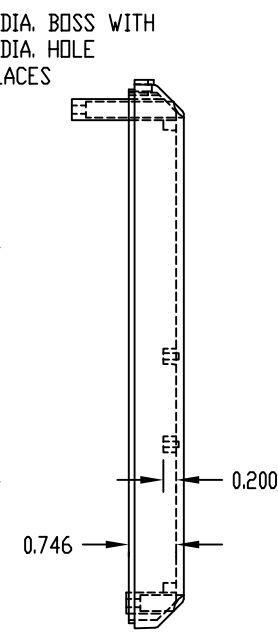
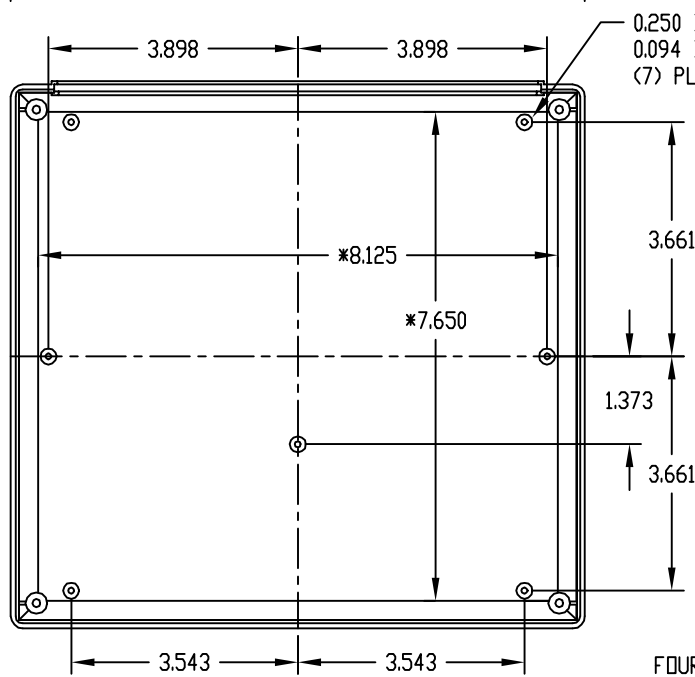
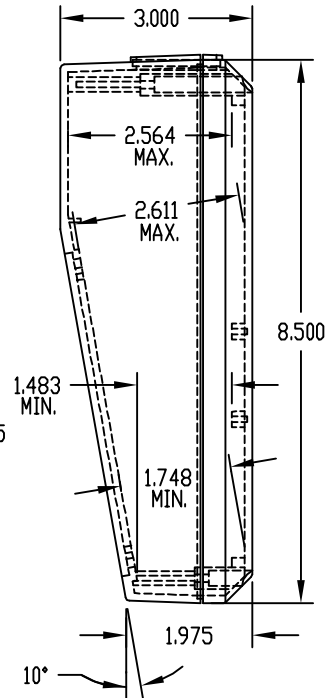
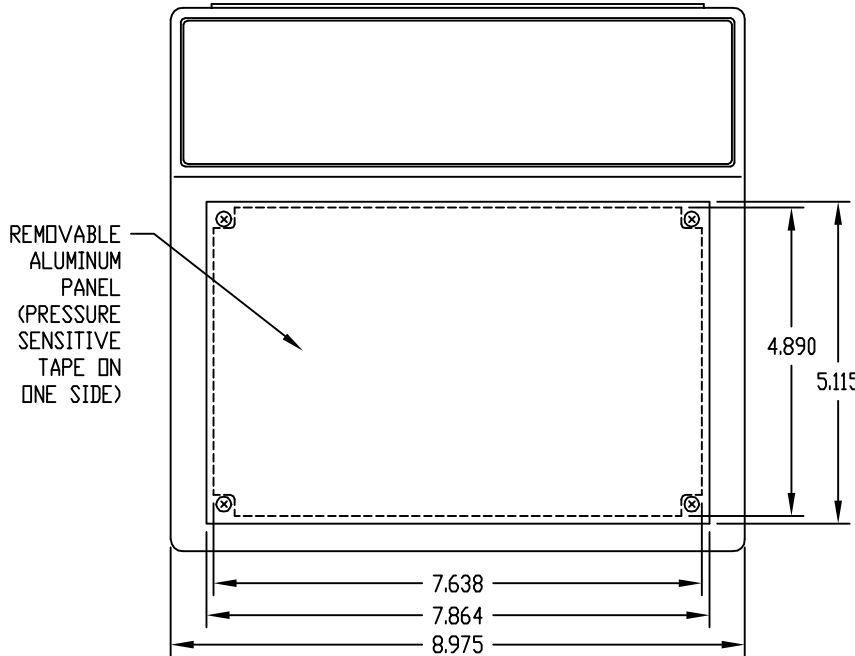
PART NAME

PLASTICASE

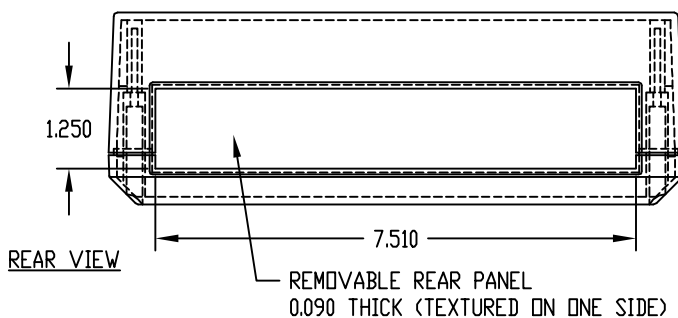
PART No.

PC-11493

MATERIAL: BODY TOP & BOTTOM, REAR PANEL _____ ABS THERMOPLASTIC (UL94-HB RATED)
 SLOPE PANEL _____ 0.100 THK. ALUMINUM
 FINISH: BODY TOP & BOTTOM _____ LIGHT GRAY
 REAR PANEL _____ DARK GRAY
 SLOPE PANEL _____ NATURAL



BODY BOTTOM (WITH BODY TOP REMOVED)



FOUR (4) M3 x 0.630' LG. SCREWS SUPPLIED FOR ASSEMBLING BODY TOP TO BOTTOM

FOUR (4) M3 x 0.315' LG. CSK. SCREWS SUPPLIED FOR ASSEMBLING SLOPE PANEL TO BODY TOP

FOUR (4) RUBBER STICK-ON FEET SUPPLIED

MOUNTING BOSSES USE EITHER M2.5 METRIC OR #4 STD. SHEET METAL SCREWS x 0.188' LG. (NOT SUPPLIED)

NOTE: ALL DIMENSIONS HAVE ±0.015 TOLERANCE UNLESS OTHERWISE SPECIFIED

* THESE INSIDE DIMENSIONS ARE TAKEN FROM CLOSED END OF THE BOX