

Introducing
Solderless High Intensity
LED Holder

OBSOLETE
NOT the LATEST
REVISION

 **Tyco Electronics**
Our commitment. Your advantage.

Solderless High Intensity LED Holder

KEY FEATURES

- Small footprint and low profile with snap together, solderless contact system providing direct electrical and thermal connection to the LED
- Design allows for versatility in mounting LUXEON Rebel LEDs without the need for solder, thermal adhesives or PCB/metal clad boards
- Optional heat sink with mounting slots for attachment to light fixtures
- Optional snap on optics adapter for Carclo lens
- Low applied cost
- Tyco Electronics Mini CT connection for easy power input
- Mounts to 0.75mm thick heat sink
- Allows repair and replacement of the LED

DESCRIPTION

Solderless interconnect and thermal package for use with LUXEON Rebel high power LED

APPLICATIONS

Easily solves LED integration issues for OEM LED light fixtures

Used in: architectural, commercial or residential lighting

ELECTRICAL

Operating Current: 350mA to 1500mA

Operating Voltage: Up to 50VDC

LED Wattage Rating: 1 Watt with Tyco Electronics heat sink

LED Drivers: Custom designs available for DC or AC input upon request

MECHANICAL

Number of Positions: 2

Cable/Module Interface: Mini CT Connector

Cable Size: 24-30 AWG (standard Mini CT plug)

Durability: 10 cycles

Environmental Operating Temperature: -50 to 85 degree C

MATERIALS

Power Contacts: Copper Alloy

Finish: Gold over nickel

LED (customer supplied): LUXEON Rebel

Plastic Housing: PBT

Heat sink: Stamped aluminum or copper alloy (may be customer supplied)

Solderless High Intensity LED Holder

STANDARDS & SPECS

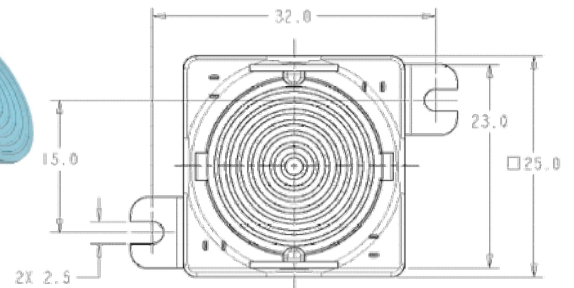
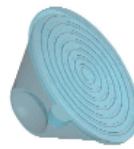
UL: UL 8750

Product Specification: 108-2349

Application Specification: 114-13231

PRODUCT DIMENSIONS

Standard Carclo Lens
for LUXEON Rebel



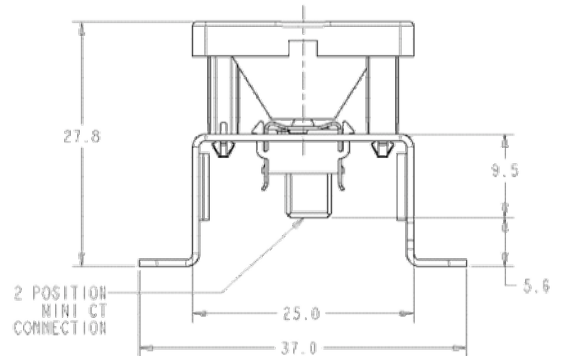
Stamped Heat Sink

Rebel LED

Retention Clip

Lens Carrier

Simple Assembly



Plastic Contact Carrier

Power Contacts

Standard Mini CT Connection

PRODUCT OFFERING

2058673-1 LED Holder Kit (includes contact carrier and retention clip)

Optional Accessories:

2058675-1 Heat Sink

2058674-1 Holder for Carclo and Fraen Lens

2058078-1 2 position Mini CT Cable Assembly

APPLICATION TOOLING

No application tooling required

FOR MORE INFORMATION

Technical Support

Internet: www.tycoelectronics.com
www.tycoelectronics.com/lighting
E-mail: newproducts@tycoelectronics.com
USA: 1-800-522-6752
Canada: 1-905-470-4425
Mexico: 1-800-733-8926
C. America: 52-55-1106-0803
South America: 55-11-2103-6000
Hong Kong: 852-2735-1628
Japan: 81-44-844-8013
UK: 44-8706-080208

Tyco Electronics Corporation
Harrisburg, PA

tycoelectronics.com

Copyright 2008 Tyco Electronics Corporation. All rights reserved.
7-1773450-8-5K-MS/FP 12/08
The TE logo and Tyco Electronics are trademarks.
LUXEON is a trademark of Philips Lighting Company LLC.
Carclo is a trademark of Carclo Plc.

 **Tyco Electronics**
Our commitment. Your advantage.