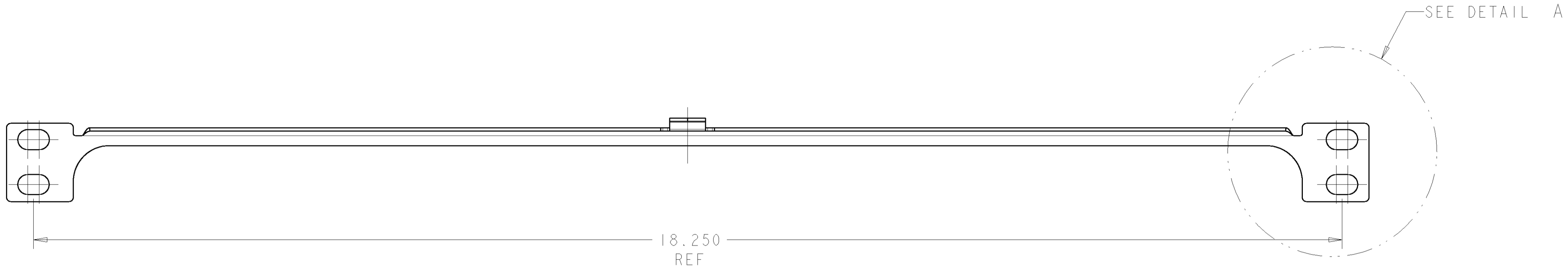


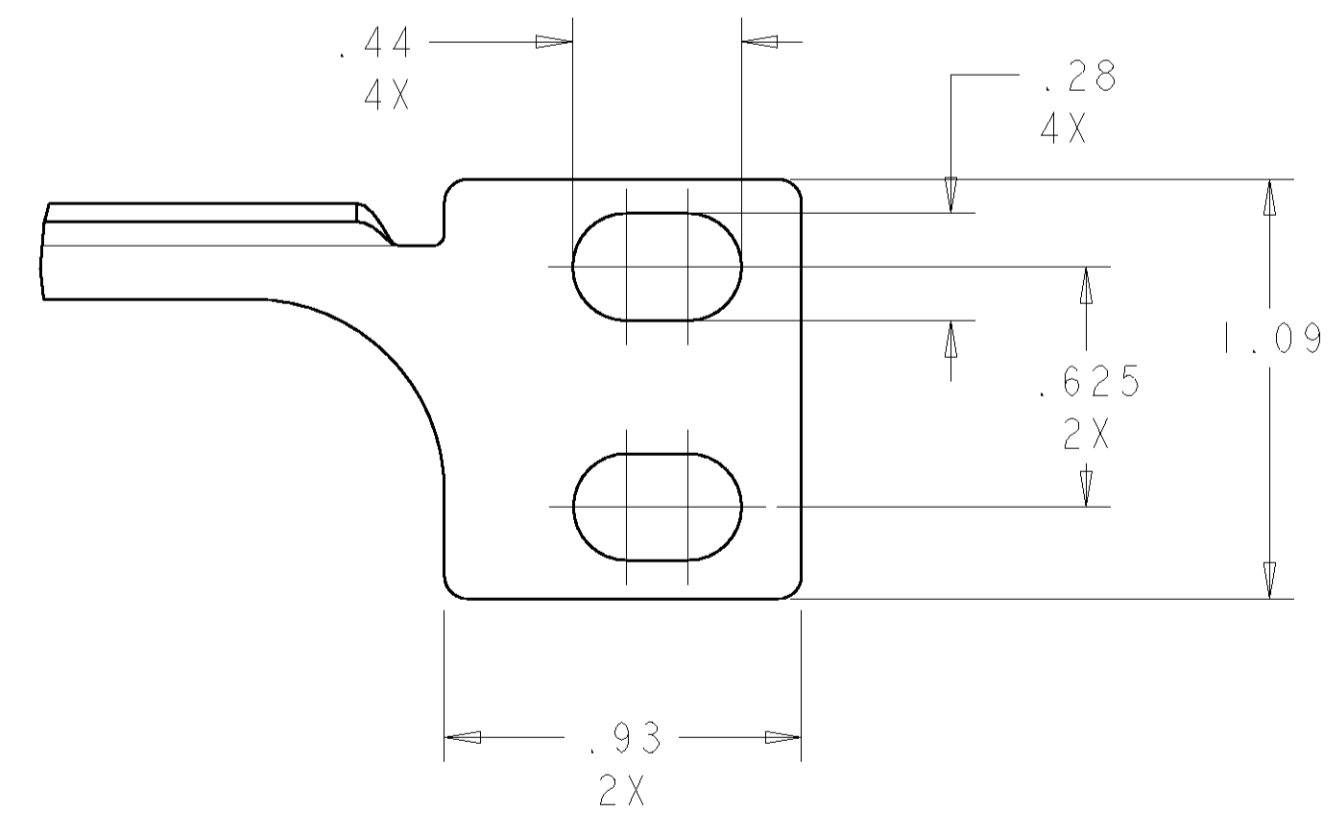
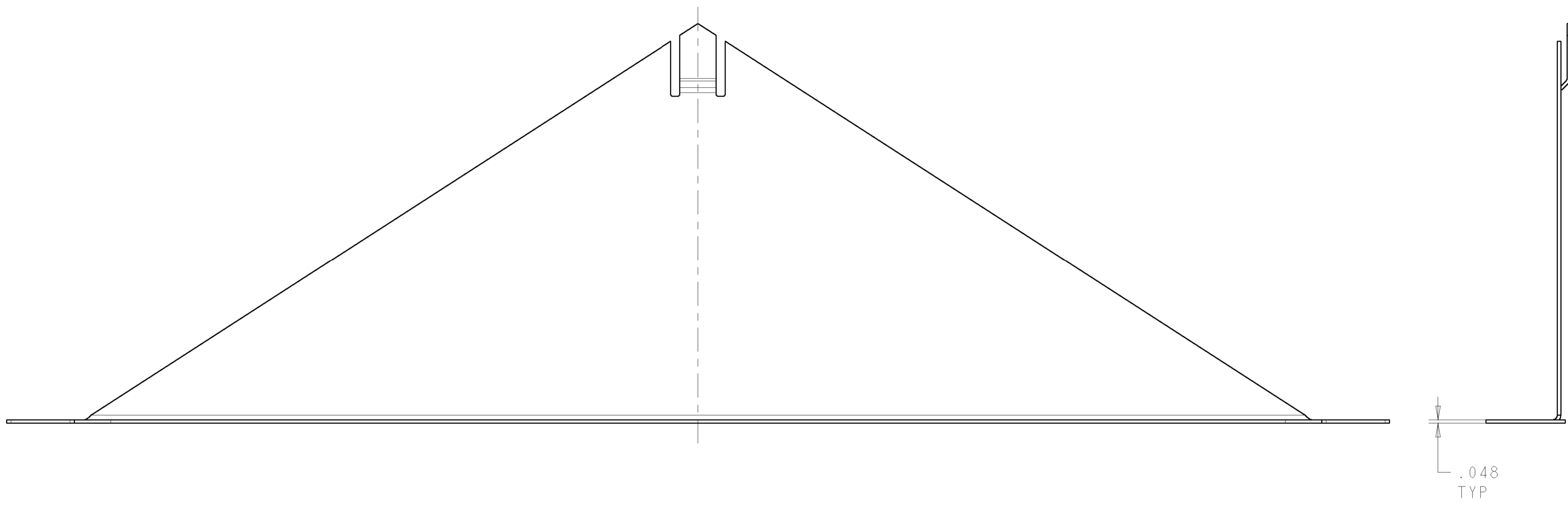
REVISONS		DATE	DWN	APVD
P	LTR	DESCRIPTION		
A		NSD05-093	25APR2005	JM SH
B		ECO-06-004689	01MAR2006	JM SH
C		ECO-07-002970	06FEB2007	JM SH



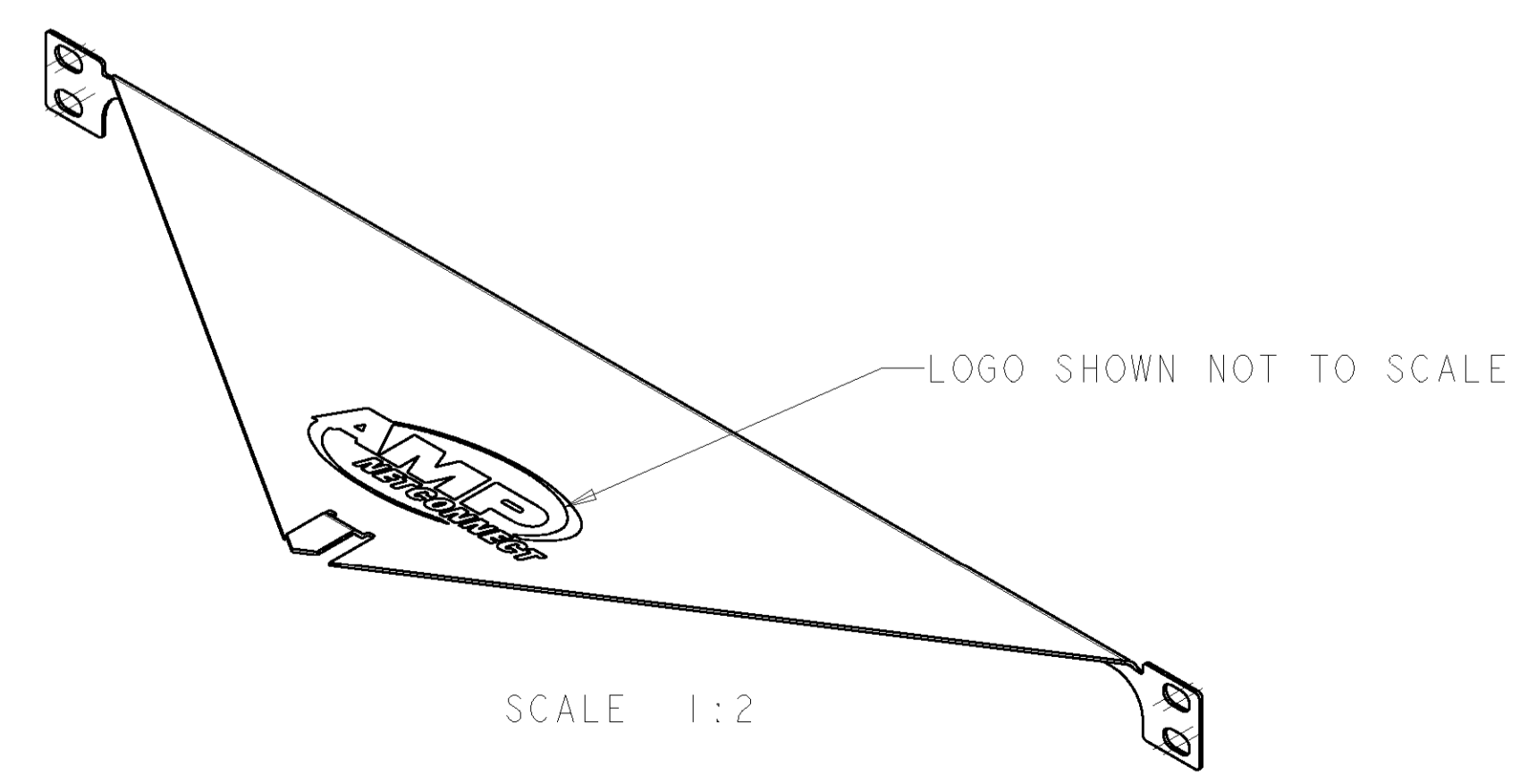
- 1 COVER COMPATIBLE WITH TYCO ANGLED PATCH PANEL
 PANEL PART NUMBERS:
- | | | | |
|--------------|--------------|--------------|--------------|
| 1499600-1,-2 | 1499601-1,-2 | 1499602-1,-2 | 1499603-1,-2 |
| 1499604-1 | 1499605-1 | 1499622-1 | 1499623-1 |
| 1499624-1 | 1499625-1 | | |

- ALSO COMPATIBLE WITH TYCO AMPTRAC ANGLED PANEL
 PART NUMBERS:
- | | | | |
|-----------|-----------|-----------|-----------|
| 1499616-1 | 1499617-1 | 1499618-1 | 1499619-1 |
| 1499620-1 | 1499621-1 | | |

- 2 COVER NOT COMPATIBLE WITH TYCO ANGLED PATCH PANEL
 PART NUMBERS:
- | | | | |
|-----------|--------------|-----------|--------------|
| 1435622-1 | 1435623-1 | 1435624-1 | 1435625-1 |
| 1435784-1 | 1435785-1 | 1479510-1 | 1479511-1,-2 |
| 1479512-1 | 1479513-1,-2 | 1479514-1 | 1479515-1,-2 |
| 1479516-1 | 1479517-1,-2 | | |



DETAIL A
 SCALE 2:1
 2X



1499614-1
 PART NUMBER

DIMENSIONS:		TOLERANCES UNLESS OTHERWISE SPECIFIED:		DWN J MCNEAL 25APR2005		tyco Tyco Electronics	
INCHES		0 PLC ±		CHK L SMITH 25APR2005		Harrisburg, PA 17105-3608	
1 PLC ±.02		2 PLC ±.02		APVD S HERNDON 25APR2005		NAME	
3 PLC ±.015		3 PLC ±.02		PRODUCT SPEC		PANEL SHIELD, TOP, V-STYLE	
4 PLC ±		4 PLC ±		APPLICATION SPEC		-	
ANGLES		FINISH		SIZE CAGE CODE DRAWING NO		RESTRICTED TO	
MATERIAL		WEIGHT		A1 - C=1499614		-	
-		-		CUSTOMER DRAWING		SCALE 1:1 SHEET 1 OF 1 REV C	