

**PLEASE CHECK WWW.MOLEX.COM FOR LATEST PART INFORMATION**

**Part Number:** [0731710440](#)  
**Status:** **Active**  
**Overview:** [BNC Miniature RF Connectors and Cable Assemblies](#)  
**Description:** 50 Ohms, BNC Filtered, Vertical PCB Bulkhead Jack Receptacle

**Documents:**

[Drawing \(PDF\)](#) [RoHS Certificate of Compliance \(PDF\)](#)

**General**

Product Family	RF/Coax Connectors
Series	<a href="#">73171</a>
Overview	<a href="#">BNC Miniature RF Connectors and Cable Assemblies</a>
Product Name	BNC
Style	PCB
UPC	822350039819
Wire/Cable Type	N/A

**Physical**

Gender	Jack
Keying to Mating Part	None
Orientation	Straight
PCB Mounting	Through Hole
PCB Thickness - Recommended	3.20mm
Packaging Type	Bag
Panel Mount	Yes
Panel Mount Method	Bulkhead
Reverse Polar	No

**Electrical**

Impedance	50Ω
-----------	-----

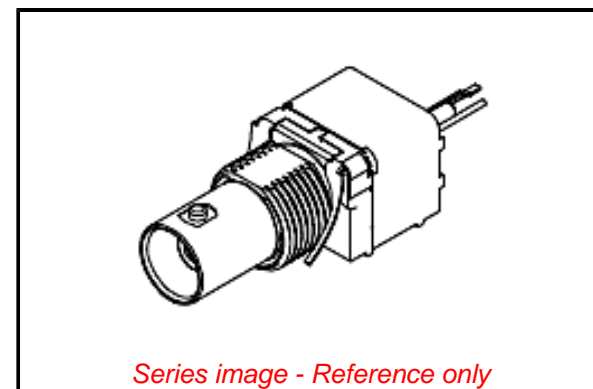
**Solder Process Data**

Lead-freeProcess Capability	WAVE
Process Temperature max. C	245

**Material Info**

**Reference - Drawing Numbers**

Sales Drawing	SD-73171-044
---------------	--------------



*Series image - Reference only*

**EU ELV**

**Not Relevant**

**EU RoHS**

**Not Reviewed**

**REACH SVHC**

Not Reviewed

**Halogen-Free**

**Status**

**Not Reviewed**

**Need more information on product environmental compliance?**

Email [productcompliance@molex.com](mailto:productcompliance@molex.com)  
Please visit the [Contact Us](#) section for any non-product compliance questions.

China ROHS	Not Reviewed
ELV	Not Relevant
RoHS Phthalates	Not Reviewed

**Search Parts in this Series**

[73171 Series](#)

**PLEASE CHECK WWW.MOLEX.COM FOR LATEST PART INFORMATION**