

**PLEASE CHECK WWW.MOLEX.COM FOR LATEST PART INFORMATION**

**Part Number:** [0780350202](#)  
**Status:** **Active**  
**Overview:** MiniDIMM Sockets  
**Description:** 0.60mm Pitch miniDIMM DDR Socket, Surface Mount, 22.5° Reverse Angle, 0.76µm Gold (Au) Plating, Off-White Latches, with Pick-and-Place Cap, 200 Circuits, 2.5V Voltage Key, Lead-Free

**Documents:**

<a href="#">3D Model</a>	<a href="#">Application Specification AS-87782-001-001 (PDF)</a>
<a href="#">Drawing (PDF)</a>	<a href="#">Packaging Specification PK-78035-002 (PDF)</a>
<a href="#">Product Specification PS-78035-001-001 (PDF)</a>	<a href="#">RoHS Certificate of Compliance (PDF)</a>

**Agency Certification**

CSA	LR19980
UL	E29179

**General**

Product Family	Memory Module Sockets
Series	<a href="#">78035</a>
Application Tooling Part Link	62100-1960
Component Type	Socket
Electrical Model	Yes
JEDEC Outline	MO-258
Overview	<a href="#">MiniDIMM Sockets</a>
Product Name	MiniDIMM
UPC	822350714853

**Physical**

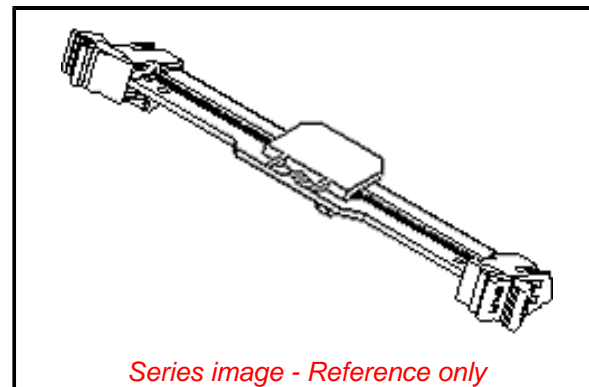
Circuits (Loaded)	200
Durability (mating cycles max)	25
Entry Angle	22.5° Angle
Flammability	94V-0
Housing Color	Black
Keying to Mating Part	Yes
Latch Color	Natural (Off-White)
Material - Metal	Copper Alloy
Material - Plating Mating	Gold
Material - Plating Termination	Tin
Material - Resin	High Temperature Thermoplastic
Net Weight	5.989/g
PCB Locator	Yes
PCB Retention	Yes
Packaging Type	Tray
Pitch - Mating Interface	0.60mm
Plating min - Mating	0.762µm
Plating min - Termination	2.540µm
Temperature Range - Operating	-10°C to +85°C
Termination Interface: Style	Surface Mount

**Electrical**

Current - Maximum per Contact	1.0A
Voltage - Maximum	30V
Voltage Key	2.5V

**Solder Process Data**

Duration at Max. Process Temperature (seconds)	005
Lead-free Process Capability	REFLOW
Max. Cycles at Max. Process Temperature	001



Series image - Reference only

**EU ELV**

**Not Relevant**

**EU RoHS**

**Compliant**

**REACH SVHC**

Not Contained Per  
-ED/01/2018 (15  
January 2018)

**Halogen-Free**

**Status**

**Not Low-Halogen**

**Need more information on product environmental compliance?**

Email [productcompliance@molex.com](mailto:productcompliance@molex.com)  
Please visit the [Contact Us](#) section for any non-product compliance questions.

China ROHS	Green Image
ELV	Not Relevant
RoHS Phthalates	Not Contained

**Search Parts in this Series**

[78035 Series](#)

**Mates With**

JEDEC MO-258 Modules

**Application Tooling | FAQ**

*Tooling specifications and manuals are found by selecting the products below. Crimp Height Specifications are then contained in the Application Tooling Specification document.*

**Global**

Description	Product #
MiniDIMM Memory Card Insertion Tool	<a href="#">0621001960</a>

Process Temperature max. C

260

**Material Info**

**Reference - Drawing Numbers**

Application Specification	AS-87782-001-001
Electrical Model Document	EE-78035-001
Packaging Specification	PK-78035-002
Product Specification	PS-78035-001-001
S-Parameter Model	SP-78035-001
Sales Drawing	SD-78035-001

This document was generated on 07/12/2018

**PLEASE CHECK [WWW.MOLEX.COM](http://WWW.MOLEX.COM) FOR LATEST PART INFORMATION**