

PLEASE CHECK WWW.MOLEX.COM FOR LATEST PART INFORMATION

Part Number: **0432028113**
Status: **Active**
Overview: Magnetic and Modular Jacks and Plugs
Description: Modular Jack, Right Angle, Low Profile, 8/8, Key

Documents:

3D Model	Product Specification TS-43202-002-001 (PDF)
Drawing (PDF)	Packaging Specification PK-43202-003 (PDF)
Product Specification PS-43202-001-001 (PDF)	RoHS Certificate of Compliance (PDF)

Agency Certification

CSA	LR19980
UL	E107635

General

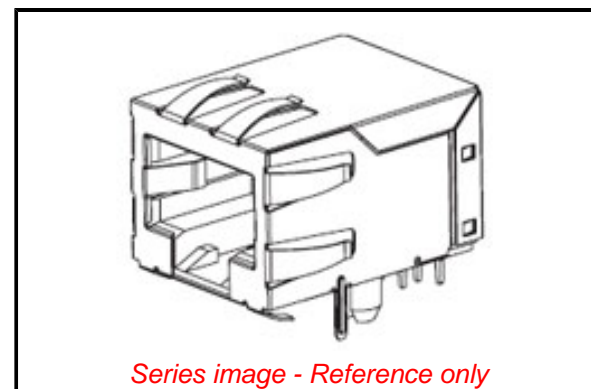
Product Family	Modular Jacks/Plugs
Series	<u>43202</u>
Component Type	PCB Jack
Magnetic	No
Overview	<u>Magnetic and Modular Jacks and Plugs</u>
Performance Category	3
Power over Ethernet (PoE)	N/A
Product Name	Modular Jack 8/8, RJ45
UPC	800754237116

Physical

Color - Resin	Black
Durability (mating cycles max)	500
Flammability	94V-0
Inverted / Top Latch	No
Jack Height	11.58mm
Keying to Mating Part	Yes
Lightpipes/LEDs	None
Material - Metal	Phosphor Bronze
Material - Plating Mating	Gold
Material - Plating Termination	Tin
Material - Resin	High Temperature Thermoplastic
Net Weight	2.582/g
Orientation	Right Angle (Side Entry)
PCB Retention	Yes
PCB Thickness - Recommended	1.57mm
Packaging Type	Tray
Panel Mount	Without Flange
Pitch - Mating Interface	1.02mm
Pitch - Termination Interface	1.27mm
Plating min - Mating	1.270µm
Plating min - Termination	2.540µm
Ports	1
Positions / Loaded Contacts	8/8
Surface Mount Compatible (SMC)	No
Temperature Range - Operating	-40°C to +85°C
Termination Interface: Style	Through Hole
Wire/Cable Type	N/A

Electrical

Current - Maximum per Contact	1.5A
Grounding to PCB	No



Series image - Reference only

EU ELV

Not Relevant

EU RoHS

Compliant

REACH SVHC

Not Contained Per
-ED/01/2018 (15
January 2018)

Halogen-Free

Status

Not Low-Halogen

Need more information on product environmental compliance?

Email productcompliance@molex.com
Please visit the [Contact Us](#) section for any non-product compliance questions.

China ROHS

ELV

RoHS Phthalates

Green Image

Not Relevant

Not Contained

Search Parts in this Series

[43202 Series](#)

Mates With

FCC 68 Plugs

Grounding to Panel	None
Shielded	No
Voltage - Maximum	150V AC (RMS)

Solder Process Data

Lead-free Process Capability	WAVE
------------------------------	------

Material Info

Engineering Number	A432028113
--------------------	------------

Reference - Drawing Numbers

Packaging Specification	PK-43202-003
Product Specification	PS-43202-001-001, TS-43202-002-001
Sales Drawing	SDA-43202

This document was generated on 07/11/2018

PLEASE CHECK WWW.MOLEX.COM FOR LATEST PART INFORMATION