

**PLEASE CHECK WWW.MOLEX.COM FOR LATEST PART INFORMATION**

**Part Number:** [47300-1000](#)  
**Status:** **Active**  
**Overview:** Slimline Serial ATA ODD Connectors  
**Description:** 1.00mm, 1.27mm Pitch Slimline Serial ATA Plug for Optical Disk Drive with Standard Type Screw, Right Angle, Gold (Au) Flash Plating, Unplated Stainless Steel Screw Nail, with Pegs, Lead-Free

**Documents:**

[3D Model](#) [Product Specification PS-47300-001 \(PDF\)](#)  
[Drawing \(PDF\)](#) [RoHS Certificate of Compliance \(PDF\)](#)

**Agency Certification**

CSA LR19980

**General**

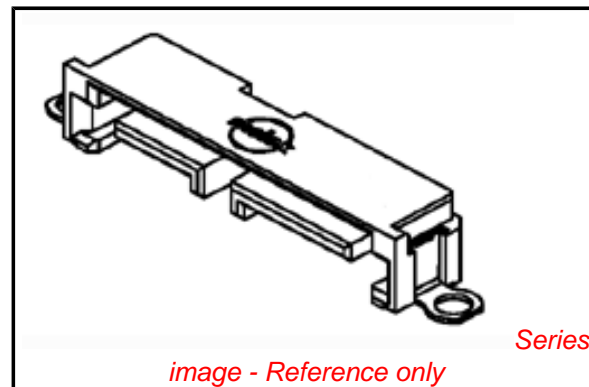
Product Family PCB Headers  
 Series [47300](#)  
 Application Board-to-Board, Signal  
 Comments Screw Type  
 Overview [Slimline Serial ATA ODD Connectors](#)  
 Product Name Serial ATA, Slimline Serial ATA  
 UPC 822350702836

**Physical**

Breakaway No  
 Circuits (Loaded) 13  
 Circuits (maximum) 13  
 Durability (mating cycles max) 500  
 First Mate / Last Break Yes  
 Flammability 94V-0  
 Glow-Wire Compliant No  
 Guide to Mating Part Yes  
 Keying to Mating Part Yes  
 Lock to Mating Part No  
 Material - Plating Mating Gold  
 Material - Plating Termination Tin  
 Material - Resin High Temperature Thermoplastic  
 Net Weight 1.026g  
 Number of Rows 1  
 Orientation Right Angle  
 PCB Locator Yes  
 PCB Retention Yes  
 Packaging Type Embossed Tape on Reel  
 Pitch - Mating Interface 1.00mm, 1.27mm  
 Pitch - Termination Interface 1.00mm, 1.27mm  
 Plating min - Mating 0.051µm  
 Plating min - Termination 1.016µm  
 Polarized to Mating Part Yes  
 Polarized to PCB Yes  
 Stackable No  
 Temperature Range - Operating -35°C to +85°C  
 Termination Interface: Style Surface Mount

**Electrical**

Current - Maximum per Contact 1.5A  
 Voltage - Maximum 15V DC



**EU RoHS**

**ELV and RoHS Compliant**  
**REACH SVHC Contains SVHC: No**  
**Low-Halogen Status Low-Halogen**

**China RoHS**



**Need more information on product environmental compliance?**

Email [productcompliance@molex.com](mailto:productcompliance@molex.com)  
 For a multiple part number RoHS Certificate of Compliance, [click here](#)

Please visit the [Contact Us](#) section for any non-product compliance questions.

**Search Parts in this Series**

[47300Series](#)

**Mates With**

[47628](#) , [47639](#) , [47645](#) , [47650](#) , [78380](#) , [48321](#) , [48325](#) , [48330](#) , [48336](#) , [47657](#)  
 Slimline Serial ATA Receptacles

## Material Info

### Reference - Drawing Numbers

Electrical Model Document  
Product Specification  
Sales Drawing

EE-48325-001  
PS-47300-001  
SD-47300-100

This document was generated on 10/07/2013

**PLEASE CHECK [WWW.MOLEX.COM](http://WWW.MOLEX.COM) FOR LATEST PART INFORMATION**