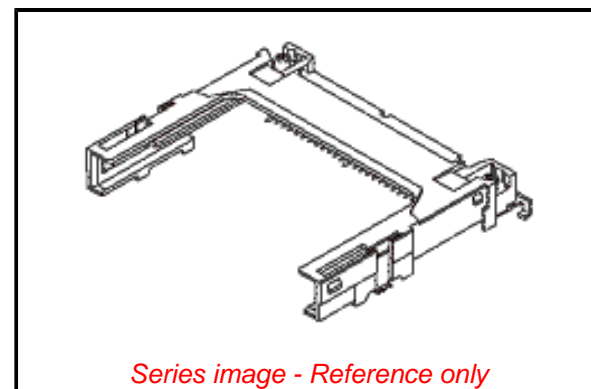


PLEASE CHECK WWW.MOLEX.COM FOR LATEST PART INFORMATION

Part Number: [0553585029](#)
Status: **Active**
Overview: [CompactFlash™](#)
Description: 1.27mm Pitch CF Card Header- Right Angle, Surface Mount Top Mounting for Type I and II Cards

Documents:

3D Model	Product Specification PS-55546-005-001 (PDF)
Drawing (PDF)	Product Specification PS-55546-006-001 (PDF)
Product Specification PS-55358-012-001 (PDF)	Packaging Specification SPK-55358-001-001 (PDF)
Product Specification PS-55358-013-001 (PDF)	RoHS Certificate of Compliance (PDF)



Agency Certification

UL E29179

General

Product Family	Memory Card Sockets
Series	55358
Overview	CompactFlash™
Product Name	CompactFlash
Style	Guide and Holder
UPC	822348180691

Physical

Card Detection Switch	N/A
Card Entry Location	Front
Circuits (Loaded)	50
Durability (mating cycles max)	10000
Ejector Button Side	N/A
Flammability	94V-0
Material - Contact	Copper Alloy
Material - Plating Mating	Gold over Nickel
Material - Plating Termination	Tin
Net Weight	3780.078/mg
PCB Retention	Yes
Packaging Type	Tray
Pitch - Mating Interface	1.27mm
Temperature Range - Operating	-20°C to +90°C
Termination Interface: Style	Surface Mount

Electrical

Current - Maximum per Contact	0.5A
Voltage - Maximum	100V AC (RMS)
Voltage Key	3.3V, 5.0V

Material Info

Reference - Drawing Numbers

Packaging Specification	SPK-55358-001-001
Product Specification	PS-55358-012-001, PS-55358-013-001, PS-55546-005-001, PS-55546-006-001
Sales Drawing	SD-55358-014

EU ELV

Not Relevant

EU RoHS

Compliant

REACH SVHC

Not Contained Per
-ED/01/2018 (15
January 2018)

Halogen-Free

Status

Low-Halogen

Need more information on product environmental compliance?

Email productcompliance@molex.com
Please visit the [Contact Us](#) section for any non-product compliance questions.

China ROHS	Green Image
ELV	Not Relevant
RoHS Phthalates	Not Contained

Search Parts in this Series

[55358](#) Series

Mates With

[67003](#) , [67114](#) , Industry Standard CF Card

Use With

[55356](#) Ejector, [55364](#) Ejector