



12W Wall Plug Adapter



Features

- Double Insulated
- Class B EMI
- < 0.075W No-Load Current
- Over-Voltage & short-circuit protections
- DOE Level VI & COC V5 Tier 2

Applications

- Wireless Communications
- Networking
- Portable Equipment
- Peripherals

Safety Approvals

- UL/CUL 60950-1

Mechanical Characteristics ⁽¹⁾

- Length: 71.2mm (2.80in)
- Width: 33.95mm (1.34in)
- Height: 46mm (1.81in)
- Weight: 85g (3.00oz)

Output Specifications

Model	DC Output Voltage	Load		Ripple ⁽¹⁾ P-P (max.)	Regulation Line & Load	Efficiency Level
		Min.	Max.			
PSAA12A-120L6	12V	0A	1A	240mV	±5%	VI
PSAA12E-120L6	12V	0A	1A	240mV	±5%	VI

(1) Measured with by-pass capacitors 0.1uf /10uf at output connector terminal and oscilloscope set at 20 MHz (tested by oscilloscope).

Phihong is not responsible for any error, and reserves the right to make changes without notice. Please visit our website at www.phihong.com for the most up-to-date specifications and contact information.

Input:**AC Input Voltage Rating**

100 to 240 V AC

AC Input Voltage Range

90 to 264V AC

AC Input Frequency

50 to 60Hz

Input Current

0.5A (RMS) maximum at 100VAC, max load

Leakage Current

0.25mA maximum

Inrush Current

60A @230V AC, 25°, at maximum load

Input Power Saving

<0.075W at 240Vac, no load

Output:**Efficiency**

DOE Level VI

COC V5 Tier 2

Hold-up Time

10mS Min. at Max load and 120Vac 60Hz

Over-Voltage Protection

Output voltage shall not exceed 20V

Short-Circuit Protection

Protected against short circuit. Continuous short circuit will not produce fire, smoke or excessive heat.

Environmental:**Temperature**

Operation 0°C to +40°C

Non-operation -40°C to +85°C

Humidity 90%RH Max

Emissions

FCC Class B

EN55022 Class B

EN61000-3-2

EN61000-3-3

Immunity

EN50082-1:

EN61000-4-2 Level 4

EN61000-4-5 Level 3

EN55024

IEC610004-2

IEC610004-3

IEC610004-4

IEC610004-5

IEC610004-6

IEC610004-8

IEC610004-11

Dielectric Withstand (Hi-pot) Test

Primary to Secondary: 3000V AC for 1 min., 10mA

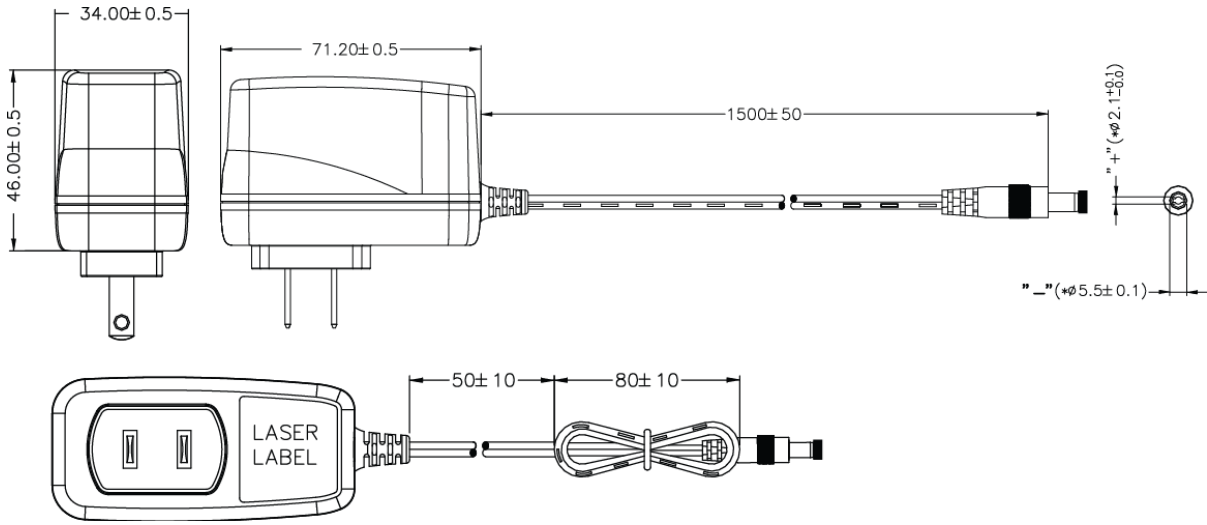
DC Output Connector

The output dc cord shall be 1200mm 26AWG in length.

Matte black PVC insulation. DC plug: (-) GND outside;

(+) Output inside

Dimension Diagram Unit: mm – PSAA12A-120L6



Dimension Diagram Unit: mm – PSAA12E-120L6

