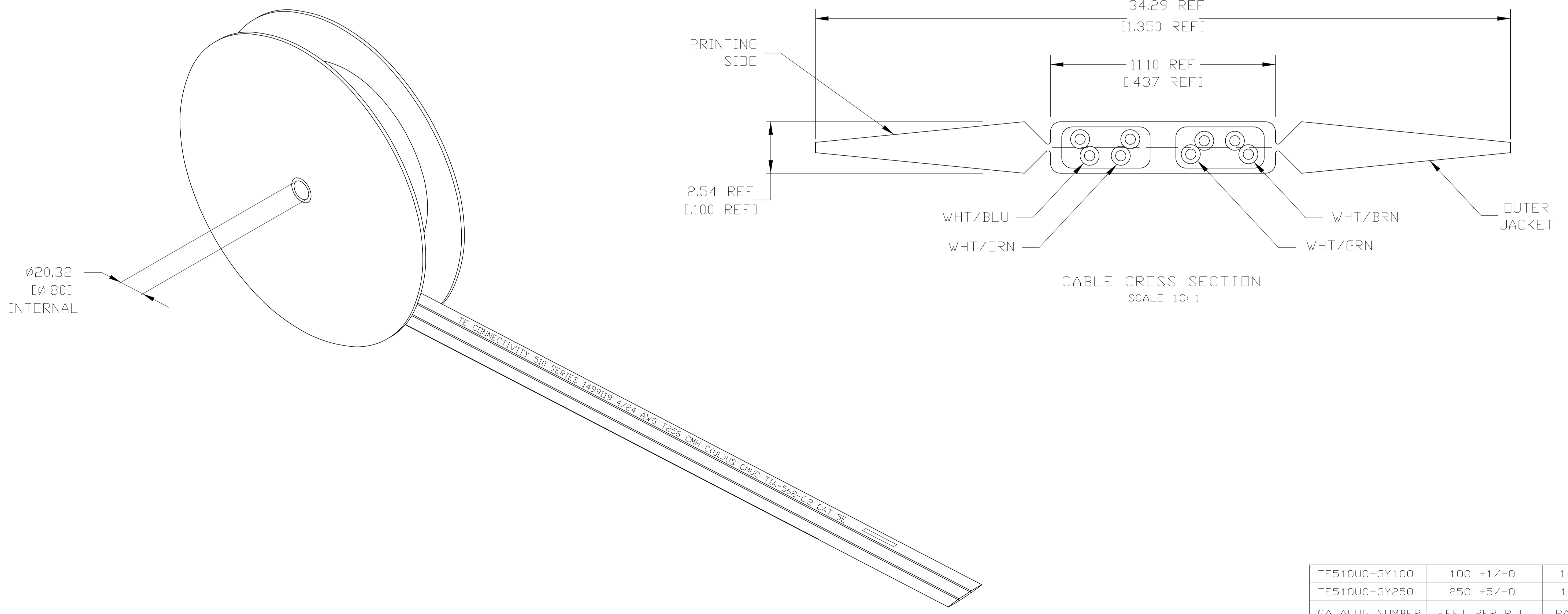


FINISHED WIRE DATA			
CONDUCTORS	WIRE AWG	24 AWG SOLID	
	MATERIAL	SOLID BARE COPPER	▲
INSULATION	MATERIAL	HIGH DENSITY POLYETHYLENE	▲
JACKET	MATERIAL	FR PVC	▲

COLOR CODE

PAIR	COLOR CODE
1	WHT-BLU
2	WHT-DRG
3	WHT-GRN
4	WHT-BRN

- MATERIALS ARE SELECTED BASED ON THEIR ABILITY TO CONFORM TO UL 444 LATEST ISSUE.
- CABLE SHALL BE CAPABLE OF WITHSTANDING 1500 VRMS BETWEEN OUTER SURFACE AND CONDUCTORS.
- DIMENSIONS ARE MAXIMUM UNLESS OTHERWISE SPECIFIED.
- GOVERNING SPECIFICATIONS - LATEST REVISIONS  
TIA-568-C.2 CAT 5E  
NEC 800 (US)/CEC 60-322 (CANADA)  
UL 444 - CMH (CANADA) / CMUC (US)



TE CONNECTIVITY 510 SERIES 1499119 4/24 AWG 1256 CMH COLBUS CMUC TIA-568-C.2 CAT 5E

TE510UC-GY100	100 +1/-0	1499119-5
TE510UC-GY250	250 +5/-0	1499119-1
CATALOG NUMBER	FEET PER ROLL	PART NUMBER

THIS DRAWING IS A CONTROLLED DOCUMENT.		DIN L HALL 09JAN02	
DIMENSIONS: mm [INCHES]		CHK R SPEER 10JAN02	
TOLERANCES UNLESS OTHERWISE SPECIFIED:		APP'D R SPEER 10JAN02	
0 PLG ±	1 PLG ± .1	NAME IS 408-3194	
2 PLG ± .02	3 PLG ± .005	PRODUCT SPEC	
4 PLG ± .0005	ANGLES ±	APPLICATION SPEC 108-2091	
MATERIAL	FINISH	SIZE A1	CAGE CODE 00779
DRAWING NO. 1499119		RESTRICTED TO	
CUSTOMER DRAWING		SCALE NTS	SHEET 1 OF 1 REV