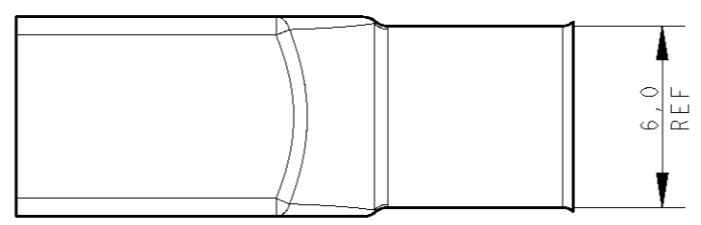
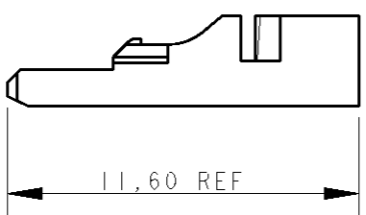
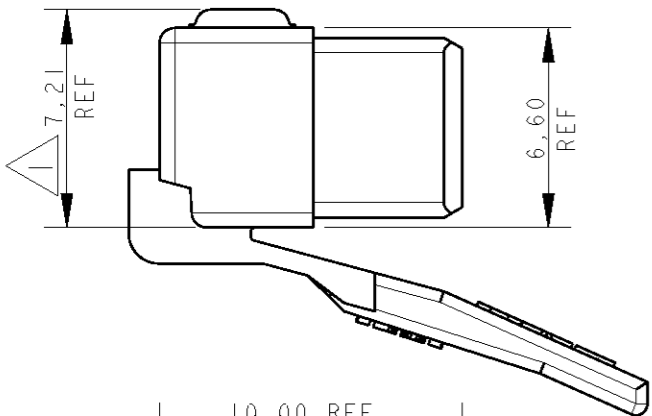
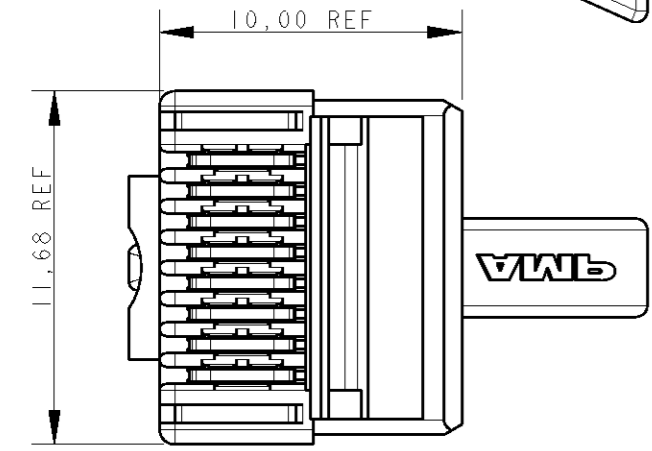
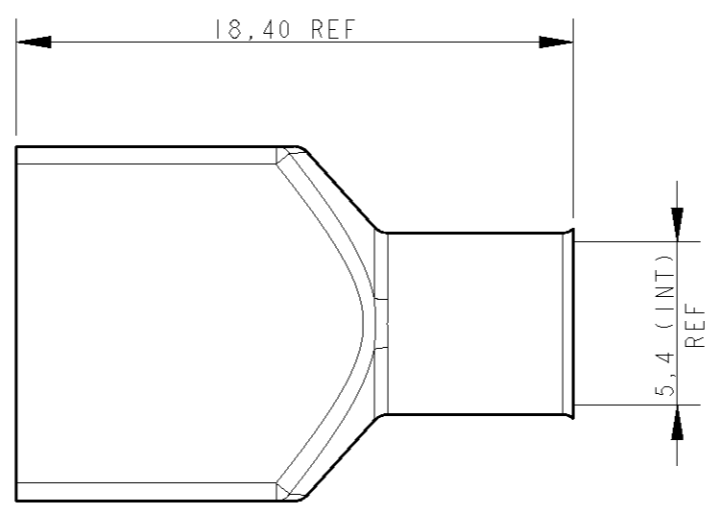
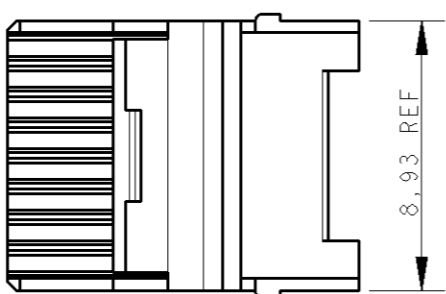


THIS DRAWING IS UNPUBLISHED. RELEASED FOR PUBLICATION 2010
 © COPYRIGHT 2005 BY TYCO ELECTRONICS CORPORATION. ALL RIGHTS RESERVED.

LOC	DIST	REVISIONS			
P	LTR	DESCRIPTION	DATE	DWN	APVD
1K	2	B	Ni: 1,27 was 2,00. Added note 6 and 7	23OCT2008	LD JS
		BI	ECR-10-014340	07JUL2010	LD JS



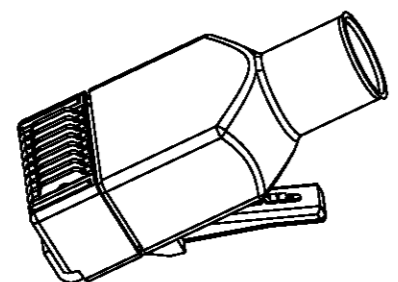
SCALE 4:1



- 1 TERMINATED DIMENSION 6.02±0.13
- 2 PACKAGING:
100 SUB-ASSEMBLIES,
100 WIRE HOLDERS AND
100 SHIELDS PER CARTON
- 3 PACKAGING:
1000 SUB-ASSEMBLIES,
1000 WIRE HOLDERS AND
1000 SHIELDS PER CARTON
- 4. CABLE RANGE:
-4 TWISTED PAIRS
-JACKET DIAMETER: FROM 5.3 TO 6.0
-SHIELDING: FOIL AND/OR BRAID
-24/26 AWG STRANDED WIRE
-INSULATION DIAMETER: FROM 0.8 TO 1.0
- 5 1.27 MICRONS MIN. THICK GOLD IN LOCALIZED GOLD PLATE AREA, GOLD FLASH ON THE REMAINDER OVER 1.27 MICRONS MIN. THICK NICKEL UNDERPLATE.
- 6. MEET SPECIFICATIONS:
- IEC 60603-7
- TIA/EIA 568-B.2
- 7. FLAMMABILITY RATING: UL 94V-0

OBSOLETE

-2	-1	FINISH	MATERIAL	DESCRIPTION	ITEM
3	2	NICKEL	BRASS	SHIELD	3
		---	PC	WIRE HOLDER	2
		CONTACT: 5	PC, PH. BRONZE	ASSY, 8 POSN, SHIELDED, ROUND CABLE, MOD PLUG	1



THIS DRAWING IS A CONTROLLED DOCUMENT FOR TYCO ELECTRONICS CORPORATION. IT IS SUBJECT TO CHANGE AND THE CONTROLLING ENGINEERING ORGANIZATION SHOULD BE CONTACTED FOR THE LATEST REVISION.

DIMENSIONS: mm	TOLERANCES UNLESS OTHERWISE SPECIFIED: 0 PLC ±- 1 PLC ±0.2 2 PLC ±0.1 3 PLC ±- 4 PLC ±- ANGLES ±-	DWN L. de Dios 05DEC05 CHR R. Sole 05DEC05 APVD J. Sanabria 09DEC05	Tyco Electronics AMP España, S.A. Barcelona, Spain.
MATERIAL SEE TABLE	FINISH SEE TABLE	PRODUCT SPEC 108-19102 APPLICATION SPEC 114-22008 WEIGHT -	SUPERSEDED NOT the LATEST REVISION KIT, 8 POSN, SHLD, RND CABLE, MODULAR PLUG, 5.4 OD
CUSTOMER DRAWING		SCALE 2:1	RESTRICTED TO -