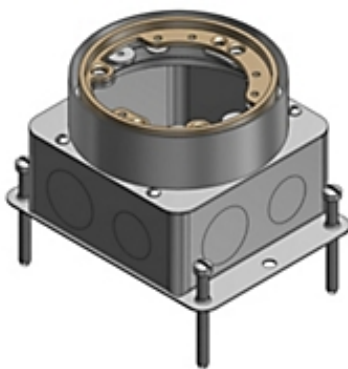




Actual



Representative

**Catalog Number:** 68 D  
**Product ID:** 7TAA003180R0000  
**UPC Number:** 78599160010  
**EAN Number:** 05415022253016  
**Status:** Active

Single Gang Deep Flush Service Floor Box, 60 Cubic Inches, Length 4-11/16 Inches, Width 4-1/4 Inches, Depth 3-5/8 Inches, 1/2 Inch 3/4 Inch and 1 Inch Knockouts, Galvanized Steel, For Power or Communications/Data

- Interior and exterior leveling screws permit adjustment to meet finished floor.
- Shipped complete with expendable cap to prevent ingress of concrete during pour
- 1/2 Inch , 3/4 Inch and 1 Inch knockouts-all bottom knockouts are accessible.

### North American Specifications (UNSPSC)

UNSPSC	39121307 Floor boxes
IGCC	4432 Floor boxes
Brand Name	Steel City
Type	Flush Service
Special Features	Concrete tight, fully adjustable with electro galvanized body and hardware.
Application	Ideal for the modern office with workstations that have power, communications and data equipment.
Standard	UL E2969
Material	Stamped Steel
Cubic Capacity	60 Cubic Inches
Knockouts	12

### European Specifications (ETIM)

ETIM	EC000024 Installation box for underfloor-installation
Cover model	Rectangular
Suitable for wet cleaning	N
Suitable for hollow floor	Y
Material	Other
With opening carpeting	N
Min. built-in depth	71.4248mm
Colour	Other
Length external dimension	119.0498mm
Width outside dimension	107.95mm

### Packaging

Inner Quantity	1
Inner Dimensions (inches)	6.3x4.9x3.6
Outer Quantity	4
Outer Dimensions (inches)	13.3x8.8x6.4
Weight Uom	2.62 lbs. Each

### Documents / Support Tools

Technical Drawing / Data Sheet US	Available on Website
Technical Drawing / Data Sheet Canada	Available on Website
Support/Tools	Available on Website

**For further technical assistance, please contact us...**

Thomas & Betts - USA  
 8155 T&B Blvd.  
 Memphis, TN 38125  
 www.tnb.com

T&B Technical Support  
 MS 3B-50  
 8155 T&B Blvd.  
 Memphis, TN 38125

Hours: 7AM - 6PM CDT  
 Monday-Friday  
 Phone: (888) 862-3289  
 Fax: (901) 252-1321

