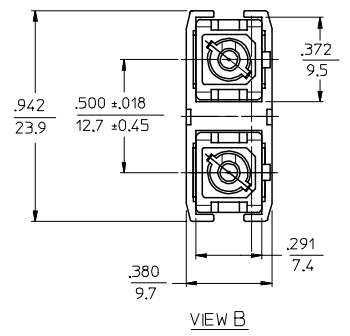
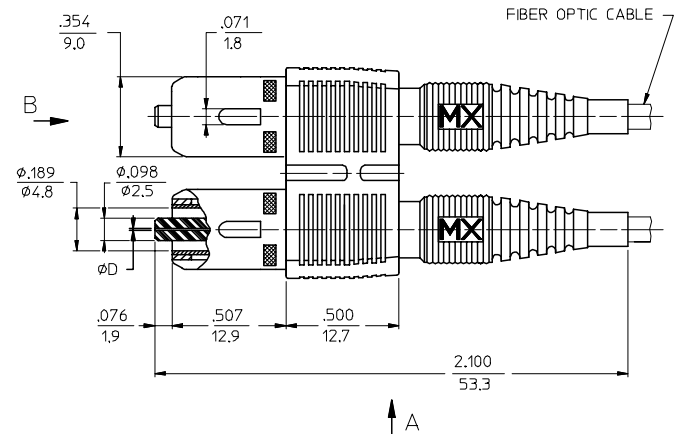
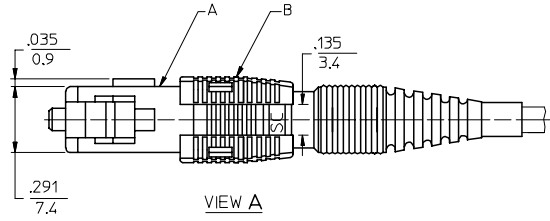


CONNECTOR P/N	øD mm	MATERIAL OF FERRULE	COLOR OF HOUSING A	COLOR OF HOUSING B	COLOR OF BOOT	CONNECTOR TYPE	CABLE OD mm
86066-0000	.127	ZIRCONIA	BEIGE	BEIGE	BEIGE	MULTIMODE	3
86066-0300							2.4
86066-0070							3
86066-0370			2.4				
86066-0080			3				
86066-0380			2.4				
86066-2000	.1255	ZIRCONIA	BLUE	BLUE	BLUE	SINGLE MODE	3
86066-2300							2.4
86066-2080							3
86066-2380			2.4				
86066-3000			3				
86066-3300			2.4				
86066-3070	.128	ZIRCONIA	BLACK	BLACK	BLACK	MULTIMODE	3
86066-3370							2.4
86066-3080							3
86066-3380			2.4				
86066-4000			3				
86066-4300			2.4				
86066-5000	.126	ZIRCONIA	BLUE	BLUE	BLUE	SINGLE MODE	3
86066-5001							2.4
86066-5300							3
86066-5080			2.4				
86066-5380			3				
86066-7000			2.4				
86066-7300	.127	ZIRCONIA	BLUE	BLUE	BLUE	SINGLE MODE	3
86066-7300							2.4



NOTES:
 1. ALL DIMENSIONS ARE GIVEN IN $\frac{\text{INCHES.}}{\text{MM}}$.
 2. DUST CAPS ARE NOT SHOWN.
 *3. P/N 86066-5001 IS BULK PACKED.

EC NO: MF2005-0700 2005/06/10 DRW: WAKFEVZNER 2005/06/13 CHKD: APPR: JGUMIN 2005/06/14 REV DESCRIPTION	QUALITY SYMBOLS	GENERAL TOLERANCES (UNLESS SPECIFIED)	DIMENSION STYLE	SCALE	DESIGN UNITS	THIRD ANGLE PROJECTION																		
	$\nabla=0$ $\nabla=0$	<table border="1"> <thead> <tr> <th></th> <th>mm</th> <th>INCH</th> </tr> </thead> <tbody> <tr> <td>4 PLACES</td> <td>± ---</td> <td>± ---</td> </tr> <tr> <td>3 PLACES</td> <td>± ---</td> <td>± ---</td> </tr> <tr> <td>2 PLACES</td> <td>± ---</td> <td>± ---</td> </tr> <tr> <td>1 PLACE</td> <td>± ---</td> <td>± ---</td> </tr> <tr> <td colspan="3">ANGULAR ±1/2°</td> </tr> </tbody> </table>		mm	INCH	4 PLACES	± ---	± ---	3 PLACES	± ---	± ---	2 PLACES	± ---	± ---	1 PLACE	± ---	± ---	ANGULAR ±1/2°			IN/MM	4:1	INCH	
		mm	INCH																					
	4 PLACES	± ---	± ---																					
3 PLACES	± ---	± ---																						
2 PLACES	± ---	± ---																						
1 PLACE	± ---	± ---																						
ANGULAR ±1/2°																								
			DRAWN BY NG	DATE 3.27.01	TITLE SC-D TYPE CONNECTOR																			
			CHECKED BY ILG	DATE 3.27.01	MOLEX INCORPORATED																			
			APPROVED BY SM	DATE 4.03.01	DOCUMENT NO. 86066-XXX0CD																			
			MATERIAL NO. SEE TABLE		SHEET NO. 1 OF 2																			
			DRAFT WHERE APPLICABLE MUST REMAIN WITHIN DIMENSIONS																					
			THIS DRAWING CONTAINS INFORMATION THAT IS PROPRIETARY TO MOLEX INCORPORATED AND SHOULD NOT BE USED WITHOUT WRITTEN PERMISSION																					