

PLEASE CHECK WWW.MOLEX.COM FOR LATEST PART INFORMATION

Part Number: [0716241001](#)
Status: **Active**
Overview: LFH™ Interconnect System
Description: 1.27mm Pitch LFH™ Matrix 50 Shielded Plug, 160 Circuits, Vertical, PC Tail Length 2.34mm, M3 Threaded Insert, Boardlock

Documents:

[3D Model](#) [Product Specification PS-71626 \(PDF\)](#)
[Drawing \(PDF\)](#) [RoHS Certificate of Compliance \(PDF\)](#)

Agency Certification

CSA LR19980
 UL E29179

General

Product Family I/O Connectors
 Series [71624](#)
 Application Board-to-Board
 Component Type Plug
 Overview [LFH™ Interconnect System](#)
 Product Name LFH™
 Type N/A
 UPC 800754992688

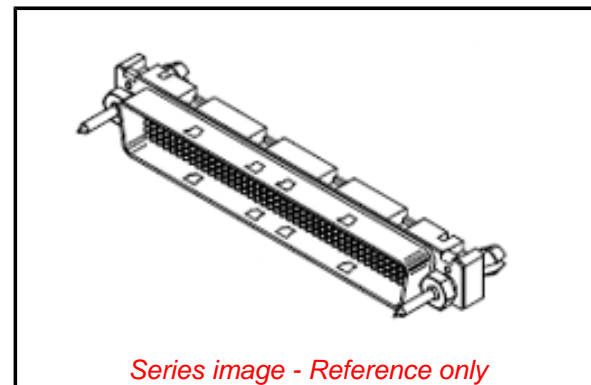
Physical

Circuits (Loaded) 160
 Circuits (maximum) 160
 Color - Resin Black
 Flammability 94V-0
 Lock to Mating Part Yes
 Material - Metal Phosphor Bronze
 Material - Plating Mating Gold
 Material - Plating Termination Tin
 Material - Resin High Temperature Thermoplastic
 Net Weight 12.024/g
 Orientation Vertical
 PC Tail Length 2.34mm
 PCB Retention Yes
 PCB Thickness - Recommended 2.40mm
 Packaging Type Tube
 Panel Mount Yes
 Pitch - Mating Interface 1.27mm
 Pitch - Termination Interface 1.27mm
 Plating min - Mating 0.762µm
 Plating min - Termination 2.540µm
 Polarized to Mating Part Yes
 Surface Mount Compatible (SMC) Yes
 Temperature Range - Operating -20°C to +80°C
 Termination Interface: Style Through Hole
 Wire Size AWG N/A

Electrical

Current - Maximum per Contact 1.0A
 Shielded Yes
 Voltage - Maximum 40V

Material Info



Series image - Reference only

EU ELV

Not Relevant

EU RoHS

Compliant with Exemption 6(c)

REACH SVHC

Not Contained Per - ED/21/2016 (20 June 2016)

Halogen-Free

Status

Low-Halogen

Need more information on product environmental compliance?

Email productcompliance@molex.com
 Please visit the [Contact Us](#) section for any non-product compliance questions.

China ROHS

50 Image

ELV

Not Relevant

Search Parts in this Series

[71624](#) Series

Mates With

[71626](#) LFH™ Receptacle

Use With

[71628](#) Guide Pin, Guide Sleeve [71629](#) or [71771](#), [70982](#) Hex Screw Kit

Reference - Drawing Numbers

Product Specification

Sales Drawing

PS-71626

SDA-71624-****

This document was generated on 09/30/2016

PLEASE CHECK WWW.MOLEX.COM FOR LATEST PART INFORMATION