

**PLEASE CHECK WWW.MOLEX.COM FOR LATEST PART INFORMATION**

**Part Number:** **0051251032**  
**Status:** **Active**  
**Overview:** LFH™ Interconnect System  
**Description:** 1.27mm Pitch LFH™ Matrix 50 Shielded Plug, 160 Circuits, Vertical, PC Tail Length 2.34mm

**Documents:**

[3D Model](#) [Product Specification PS-71626-001 \(PDF\)](#)  
[Drawing \(PDF\)](#) [RoHS Certificate of Compliance \(PDF\)](#)

**Agency Certification**

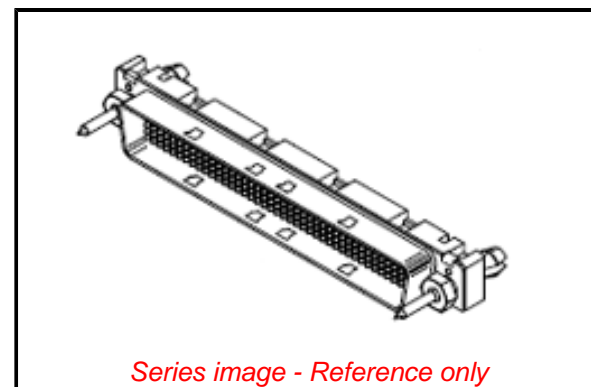
CSA LR19980  
 UL E29179

**General**

Product Family I/O Connectors  
 Series 71624  
 Application Board-to-Board  
 Component Type Plug  
 Overview LFH™ Interconnect System  
 Product Name LFH™  
 Type N/A  
 UPC 800755008319

**Physical**

Boot Color N/A  
 Circuits (Loaded) 160  
 Circuits (maximum) 160  
 Color - Resin Black  
 Durability (mating cycles max) 500  
 Flammability 94V-0  
 Gender Male  
 Lock to Mating Part Yes  
 Material - Metal Phosphor Bronze  
 Material - Plating Mating Gold  
 Material - Plating Termination Tin  
 Material - Resin High Temperature Thermoplastic  
 Net Weight 16.086/g  
 Number of Rows 4  
 Orientation Vertical  
 PC Tail Length 2.34mm  
 PCB Locator Yes  
 PCB Retention Yes  
 Packaging Type Tube  
 Panel Mount Yes  
 Pitch - Mating Interface 1.27mm  
 Pitch - Termination Interface 1.27mm  
 Plating min - Mating 0.762µm  
 Plating min - Termination 2.540µm  
 Polarized to Mating Part Yes  
 Polarized to PCB Yes  
 Ports 1  
 Surface Mount Compatible (SMC) Yes  
 Temperature Range - Operating -20°C to +80°C  
 Termination Interface: Style Through Hole  
 Waterproof / Dustproof No  
 Wire Size AWG N/A



Series image - Reference only

**EU ELV**

**Not Relevant**

**EU RoHS**

**Compliant**

**REACH SVHC**

Not Contained Per -  
 ED/21/2016 (20 June  
 2016)

**Halogen-Free**

**Status**

**Low-Halogen**

**Need more information on product  
 environmental compliance?**

Email [productcompliance@molex.com](mailto:productcompliance@molex.com)  
 Please visit the [Contact Us](#) section for any  
 non-product compliance questions.

China ROHS Green Image  
 ELV Not Relevant  
 RoHS Phthalates Not Contained

**Search Parts in this Series**

71624 Series

**Mates With**

71626 LFH™ Receptacle

**Use With**

71628 Guide Pin, Guide Sleeve 71629 or  
 71771, 70982 Hex Screw Kit

**Electrical**

Current - Maximum per Contact	1.0A
Shield Type	Full Shield
Shielded	Yes
Voltage - Maximum	40V AC (RMS)

**Material Info**

Engineering Number	71624-1002
--------------------	------------

**Reference - Drawing Numbers**

Product Specification	PS-71626-001
Sales Drawing	SDA-71624-****

This document was generated on 12/07/2016

**PLEASE CHECK [WWW.MOLEX.COM](http://WWW.MOLEX.COM) FOR LATEST PART INFORMATION**