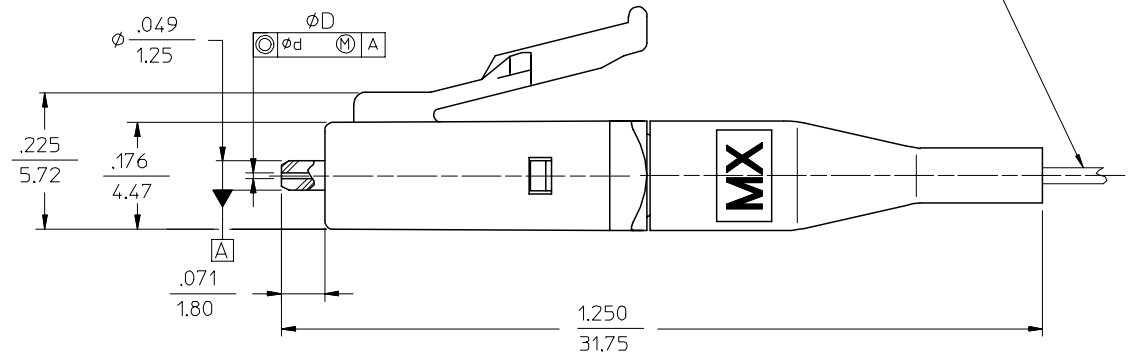
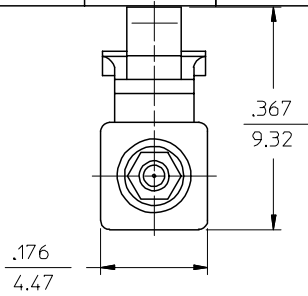


CONNECTOR P/N	øD (µm)	ød (µm)	HOUSING COLOR	BOOT COLOR	CABLE TYPE
86024-2500	125.50 $\begin{smallmatrix} +0.50 \\ 0 \end{smallmatrix}$	1.0	BLUE	WHITE	SINGLE MODE
86024-2512				RED	
86024-3550*	127.00 $\begin{smallmatrix} +3.00 \\ 0 \end{smallmatrix}$	3.0	BEIGE	WHITE	MULTIMODE
86024-3500				BLUE	
86024-3530					
86024-4500	126.00 $\begin{smallmatrix} +1.00 \\ 0 \end{smallmatrix}$	1.0	BLUE	WHITE	SINGLE MODE
86024-5500				RED	
86024-5540*				BLUE	
86024-5580					
86024-5590					
86090-2700	125.25 $\begin{smallmatrix} +0.50 \\ 0 \end{smallmatrix}$	0.5	BLUE	WHITE	SINGLE MODE
86090-4500	125.50 $\begin{smallmatrix} +0.50 \\ 0 \end{smallmatrix}$				
86090-6500	125.25 $\begin{smallmatrix} +0.50 \\ 0 \end{smallmatrix}$				
86090-4510	125.2-125.5				
86090-4520	125.51-125.9				
86099-0500	81.0±0.5	1.4			
86024-2513	125.50 $\begin{smallmatrix} +0.50 \\ 0 \end{smallmatrix}$	0.5		YELLOW	
86024-5530	126.00 $\begin{smallmatrix} +1.00 \\ 0 \end{smallmatrix}$	1.0	BEIGE	WHITE	

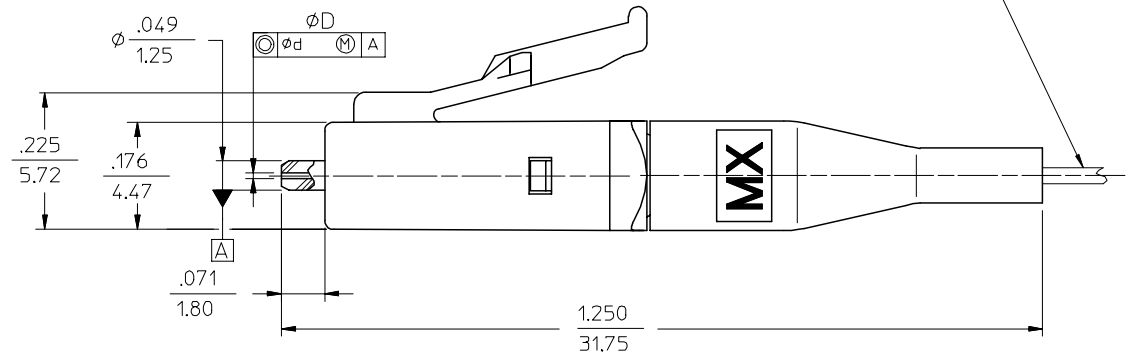
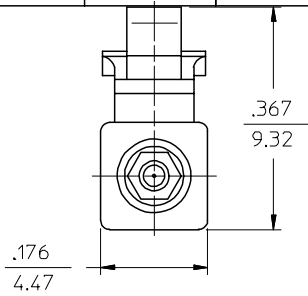


(DUST CAP NOT SHOWN)

NOTE:  
 1. ALL DIMENSIONS ARE GIVEN IN INCHES/MM, EXCEPT OTHERWISE SPECIFIED.  
 \*2. P/N 86024-3310 AND 86024-5540 ARE BULK PACKED.

ENTER DESCRIPTION EC NO: MF2005-0347 DRWN:LKATARZI 2004/12/07 CHKD: APPR:GUMIN 2004/12/07 M	QUALITY SYMBOLS ▼ = 0 ▽ = 0	GENERAL TOLERANCES (UNLESS SPECIFIED) 4 PLACES ± --- ± --- 3 PLACES ± 0.38 ± .005 2 PLACES ± 0.013 ± .015 1 PLACE ± --- ± --- ANGULAR ± 1 °	SCALE 5:1	DESIGN UNITS INCH	THIRD ANGLE PROJECTION	REVISE ON CAD ONLY
	DIMENSION STYLE IN/MM	TITLE LC CONNECTOR (BARE FIBER)		DRAWN BY YBELENKI	DATE 1999-02-26	MOLEX INCORPORATED
	DRAFT WHERE APPLICABLE MUST REMAIN WITHIN DIMENSIONS	APPROVED BY IGROIS	DATE 1999-02-26	MATERIAL NO. SEE TABLE	DOCUMENT NO. 860KK-KKK0CD	
	THIS DRAWING CONTAINS INFORMATION THAT IS PROPRIETARY TO MOLEX INCORPORATED AND SHOULD NOT BE USED WITHOUT WRITTEN PERMISSION					

CONNECTOR P/N	øD (µm)	ød (µm)	HOUSING COLOR	BOOT COLOR	CABLE TYPE
86024-2500	125.50 $\begin{smallmatrix} +0.50 \\ 0 \end{smallmatrix}$	1.0	BLUE	WHITE	SINGLE MODE
86024-2512				RED	
86024-3550*	127.00 $\begin{smallmatrix} +3.00 \\ 0 \end{smallmatrix}$	3.0	BEIGE	WHITE	MULTIMODE
86024-3500				BLUE	
86024-4500	126.00 $\begin{smallmatrix} +1.00 \\ 0 \end{smallmatrix}$	1.0	BLUE	WHITE	SINGLE MODE
86024-5500				RED	
86024-5540*				BLUE	
86024-5580				WHITE	
86024-6500	125.25 $\begin{smallmatrix} +0.50 \\ 0 \end{smallmatrix}$	0.5	BLUE	WHITE	SINGLE MODE
86090-2700	125.50 $\begin{smallmatrix} +0.50 \\ 0 \end{smallmatrix}$				
86090-4500	125.00 $\begin{smallmatrix} +0.50 \\ 0 \end{smallmatrix}$				
86090-6500	125.25 $\begin{smallmatrix} +0.50 \\ 0 \end{smallmatrix}$				
86090-4510	125.2-125.5				
86090-4520	125.51-125.9				
86099-0500	81.0±0.5	1.4			
86024-2513	125.50 $\begin{smallmatrix} +0.50 \\ 0 \end{smallmatrix}$	0.5		YELLOW	
86024-5530	126.00 $\begin{smallmatrix} +1.00 \\ 0 \end{smallmatrix}$	1.0	BEIGE	WHITE	



(DUST CAP NOT SHOWN)

NOTE:  
 1. ALL DIMENSIONS ARE GIVEN IN INCHES/MM, EXCEPT OTHERWISE SPECIFIED.  
 \*2. P/N 86024-3310 AND 86024-5540 ARE BULK PACKED.

ENTER DESCRIPTION EC NO: MF2005-0347 DRWN:LKATARZI 2004/12/07 CHKD: APPR:GUMIN 2004/12/07 M	QUALITY SYMBOLS ▼ = 0 ▽ = 0	GENERAL TOLERANCES (UNLESS SPECIFIED) 4 PLACES ± --- ± --- 3 PLACES ± 0.38 ± .005 2 PLACES ± 0.013 ± .015 1 PLACE ± --- ± --- ANGULAR ± 1 °	SCALE 5:1	DESIGN UNITS INCH	THIRD ANGLE PROJECTION	REVISE ON CAD ONLY	
	DRAFT WHERE APPLICABLE MUST REMAIN WITHIN DIMENSIONS	DIMENSION STYLE IN/MM	DRAWN BY YBELENKI	DATE 1999-02-26	TITLE LC CONNECTOR (BARE FIBER)		
	APPROVED BY IGROIS	DATE 1999-02-26	MATERIAL NO. SEE TABLE	DOCUMENT NO. 860KK-KKK0CD	SHEET NO. 1 OF 1	MOLEX INCORPORATED	
	THIS DRAWING CONTAINS INFORMATION THAT IS PROPRIETARY TO MOLEX INCORPORATED AND SHOULD NOT BE USED WITHOUT WRITTEN PERMISSION						B