

Product data sheet

Characteristics

RXZL420

sheet of 108 clip-in legends - for Zelio relay - set of 10

Product availability : Stock - Normally stocked in distribution facility

Price* : 0.10 USD



Main

Range of product	Zelio Relay
Accessory / separate part category	Marking accessory
Accessory / separate part type	Sheet of 108 clip-in legends
Sale per indivisible quantity	10

Complementary

Product compatibility	Socket RXZ with connector
Accessory / separate part destination	All sockets RXZ with screw connector
Product weight	0 lb(US) (0.001 kg)

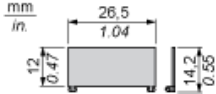
Ordering and shipping details

Category	21128 - ZELIO ICE CUBE RELAY ACCESSORIES
Discount Schedule	CP2
GTIN	00785901430162
Nbr. of units in pkg.	10
Package weight(Lbs)	0.01
Returnability	Y
Country of origin	CN

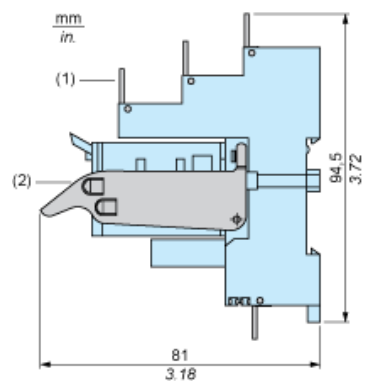
Contractual warranty

Warranty period	18 months
-----------------	-----------

Dimensions



Mounting on All Sockets (1)



- (1) Clip-in legends for all sockets except RXZE2M114
- (2) Plastic clamp