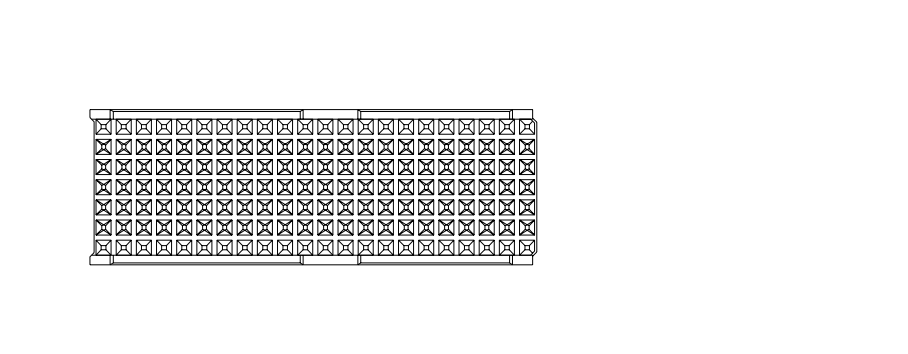
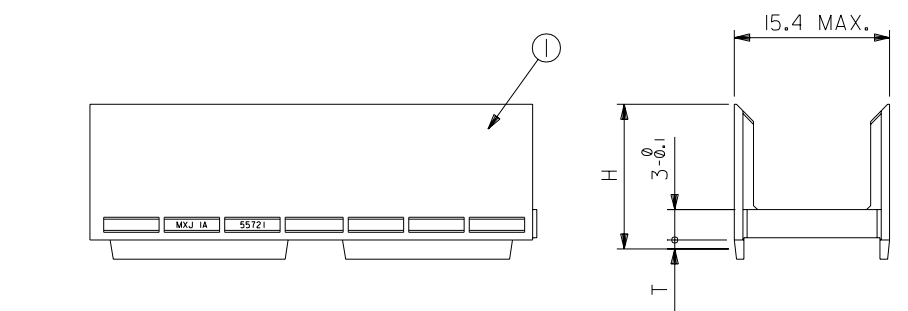
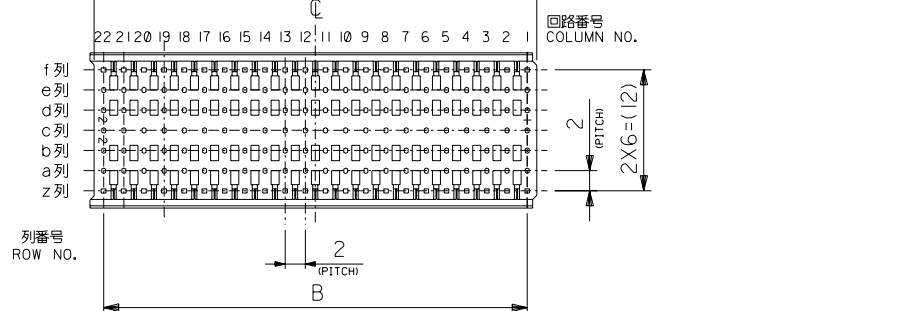


DWG. NO. SD-55721-002

8 7 6 5 4 3 2 1

番号 NO.	部品 PART NAME	材質 MATERIAL	仕上げ FINISH
①	シュラウド SHROUD	液晶ポリマー、ミネラル強化、自然色(白)、UL94V-0 LCP, MINERAL-REFINFORCED, NATURAL(WHITE), UL94V-0	—



44	42	15.35	1.9	2.6 ~ 5.6	55721-1106	110
38	36				55721-0956	95
44	42	15.15	1.7	2.8 ~ 5.6	55721-1105	110
38	36				55721-0955	95
44	42	14.95	1.5	3.0 ~ 5.6	55721-1104	110
38	36				55721-0954	95
44	42	14.75	1.3	3.2 ~ 5.6	55721-1103	110
38	36				55721-0953	95
44	42	14.55	1.1	3.4 ~ 5.6	55721-1102	110
38	36				55721-0952	95
44	42	14.35	0.9	3.6 ~ 5.6	55721-1101	110
38	36				55721-0951	95
44	42	13.45	0	4.5 ~ 5.6	55721-1100	110
38	36				55721-0950	95
A	B	H	T	推奨基板厚 (mm) RECOMMENDED PCB THICKNESS	MATERIAL NO.	極数 PIN

DO NOT SCALE DRAWING

EC NO. DRWN: CHK: APPR:	EC NO. DRWN: CHK: APPR:	EC NO. DRWN: CHK: APPR:	REVISED EC NO. J2002-0173 DRWN: S. ANDO '02/05/01 CHK: A. NODA '02/05/01 APPR: A. NODA '02/05/01 RELEASED	EC NO. JD2001-1751 DRWN: S. ANDO '01/07/24 CHK: A. NODA '01/07/24 APPR: A. NODA '01/07/24	MATERIAL 材料 SEE CHART	GENERAL TOLERANCES: (UNLESS SPECIFIED) 一般公差	SCALE 2-1	DESIGN UNITS <input checked="" type="checkbox"/> mm <input type="checkbox"/> INCH	THIRD ANGLE PROJECTION	DIMENSIONS: <input type="checkbox"/> mm <input type="checkbox"/> INCH <input checked="" type="checkbox"/> mm ONLY	SHT REVISE ON CAD ONLY
		A	0	DESCRIPTION SEE CHART	FINISH 仕上げ SEE CHART	10 UNDER 未満 ±0.2	DRAWN BY & DATE S. Ando '00/10/25	TITLE: "MZP" B/B CONN. SHROUD CPCI TYPE	MOLEX INCORPORATED		
				WIRE RANGE 適用線径範囲 SEE CHART	INS. RANGE 被覆外径 SEE CHART	10 OVER 以上 ±0.25	CHECKED BY & DATE A. Noda '00/10/25	MATERIAL NO. SEE TABLE			SHEET NO. 1 OF 1
						30 OVER 以上 ±0.3	APPROVED BY & DATE A. Noda '00/10/25	DRAWING NO. SD-55721-002			SIZE B
						ANGLE 角度 ±3°	CAD FILENAME SD-55721-002.S01	THIS DRAWING CONTAINS INFORMATION THAT IS PROPRIETARY TO MOLEX INCORPORATED AND SHOULD NOT BE USED WITHOUT WRITTEN PERMISSION.			EN-02J(097) MXJ-54

8 7 6 5 4 3 2 1

SD-55721-002.S01