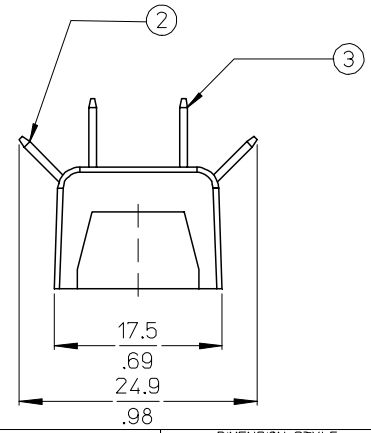
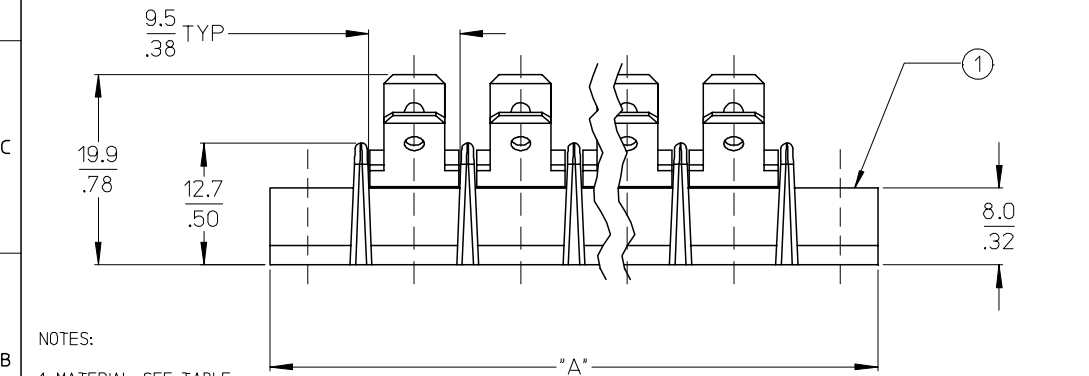
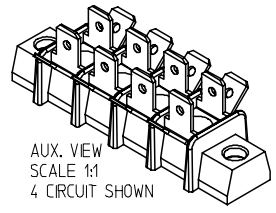
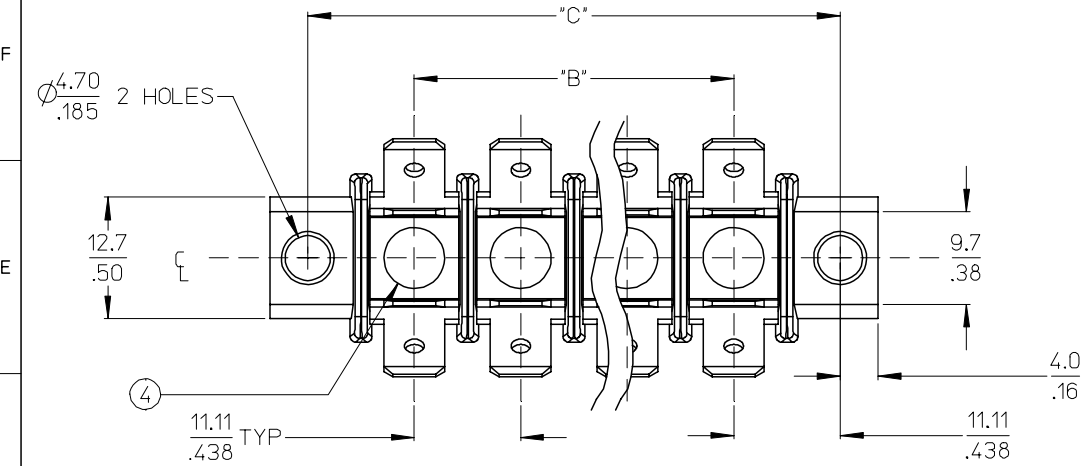


ASSEMBLY MATERIAL NO.	NUMBER OF CIRCUITS "XX"	DIM. "A"		DIM. "B"		DIM. "C"		BARRIER MATERIAL NO.
382590008	02	41.3	1.62	11.11	.438	33.34	1.313	382580002
382590018	03	52.4	2.06	22.23	.875	44.45	1.750	382580003
382590031	04	63.5	2.50	33.34	1.313	55.56	2.188	382580004
382590044	05	74.6	2.94	44.45	1.750	66.68	2.625	382580005
382590053	06	85.7	3.37	55.56	2.188	77.79	3.063	382580006
382590071	08	107.9	4.25	77.79	3.063	100.01	3.938	382580008
382590082	12	152.4	6.00	122.24	4.813	144.46	5.688	382580012
382590089	20	241.3	9.50	211.14	8.313	233.36	9.188	382580020



- NOTES:
1. MATERIAL: SEE TABLE.
 2. FINISHES: SEE TABLE.
 3. PRODUCT SPECIFICATION: NOT REQUIRED.
 4. PACKAGING: NOT REQUIRED.
 5. "XX" REFERS TO THE QUANTITY OF CIRCUITS.
 6. ROHS COMPLIANT.

ITEM	QTY.	DESCRIPTION	MATERIAL	FINISH
4	XX	RIVET SEMI-TUBE SN/B .203 LONG	BRASS	TIN PLATED
3	XX	.250 DBL TAB 1 HOLE 90/90 VERTICAL TIN	BRASS	TIN PLATED
2	XX	.250 DBL TAB 1 HOLE 45/45 SLANT TIN	BRASS	TIN PLATED
1	1	BARRIER TERMINAL STRIP	PHENOLIC	BLACK

ADD P/N 382590053	QUALITY SYMBOLS
EC NO: ETC2008-0073	▽=0
DRWN: JENCINAS 2007/10/17	▽=0
CHKD: JENCINAS 2007/11/05	
APPR: JMACNEIL 2007/11/05	
REV	DESCRIPTION

GENERAL TOLERANCES (UNLESS SPECIFIED)	
mm	INCH
4 PLACES ± ---	± ---
3 PLACES ± ---	± .005
2 PLACES ± 0.13	± .01
1 PLACE ± 0.3	± ---
ANGULAR ± 2 °	
DRAFT WHERE APPLICABLE MUST REMAIN WITHIN DIMENSIONS	

DIMENSION STYLE	
MM/IN	
DRAWN BY	DATE
C. YORK	2004/02/25
CHECKED BY	DATE
R. KEMP	2004/02/25
APPROVED BY	DATE
G. ROBERTSON	2004/02/26
MATERIAL NO.	
SEE CHART	

SCALE	DESIGN UNITS	THIRD ANGLE PROJECTION
2:1	INCH	
TITLE		
11.11MM/.438 SR BTS FT RIVETED QUICK CONN. ASSY		
MOLEX INCORPORATED		SHEET NO.
DOCUMENT NO.		1 OF 1
THIS DRAWING CONTAINS INFORMATION THAT IS PROPRIETARY TO MOLEX INCORPORATED AND SHOULD NOT BE USED WITHOUT WRITTEN PERMISSION		