

**PLEASE CHECK WWW.MOLEX.COM FOR LATEST PART INFORMATION**

**Part Number:** **0432028800**  
**Status:** **Active**  
**Overview:** Modular Jacks and Plugs  
**Description:** Modular Jack, Right Angle, Low Profile, Shielded, No Panel Grounding Tabs, without Bottom Grounding Tab, Front Position PCB Ground Tab, 8/10

**Documents:**

[3D Model](#) [Packaging Specification PK-43202-004 \(PDF\)](#)  
[Drawing \(PDF\)](#) [RoHS Certificate of Compliance \(PDF\)](#)

**Agency Certification**

CSA LR19980  
 UL E107635

**General**

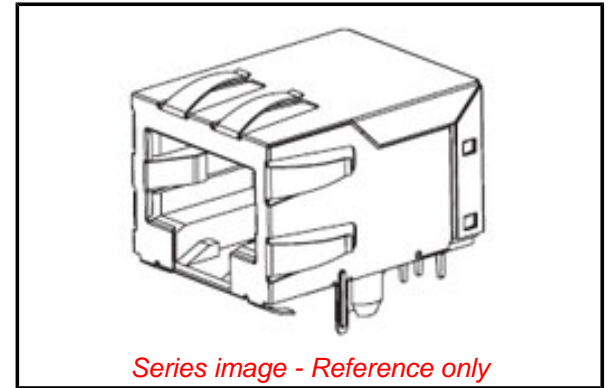
Product Family Modular Jacks/Plugs  
 Series [43202](#)  
 Component Type PCB Jack  
 Magnetic No  
 Overview [Modular Jacks and Plugs](#)  
 Performance Category 3  
 Power over Ethernet (PoE) N/A  
 Product Name RJ45  
 UPC 800756071824

**Physical**

Color - Resin Black  
 Durability (mating cycles max) 500  
 Flammability 94V-0  
 Inverted / Top Latch No  
 Jack Height 11.81mm  
 Lightpipes/LEDs None  
 Material - Metal Brass, Phosphor Bronze  
 Material - Plating Mating Gold  
 Material - Plating Termination Tin  
 Material - Resin High Temperature Thermoplastic  
 Net Weight 4.393g  
 Orientation Right Angle (Side Entry)  
 PCB Retention Yes  
 PCB Thickness - Recommended 1.60mm  
 Packaging Type Tray  
 Panel Mount Without Flange  
 Pitch - Mating Interface 1.02mm  
 Pitch - Termination Interface 1.27mm  
 Plating min - Mating 1.270µm  
 Plating min - Termination 2.540µm  
 Ports 1  
 Positions / Loaded Contacts 8/10  
 Surface Mount Compatible (SMC) Yes  
 Temperature Range - Operating -40°C to +85°C  
 Termination Interface: Style Through Hole  
 Wire/Cable Type N/A

**Electrical**

Current - Maximum per Contact 1.5A  
 Grounding to PCB Yes  
 Grounding to Panel None



**EU ELV**

**Not Relevant**

**EU RoHS**

**Compliant**

**REACH SVHC**

Not Contained Per -  
 ED/21/2016 (20 June  
 2016)

**Halogen-Free**

**Status**

**Not Low-Halogen**

**Need more information on product environmental compliance?**

Email [productcompliance@molex.com](mailto:productcompliance@molex.com)  
 Please visit the [Contact Us](#) section for any non-product compliance questions.

China ROHS  
 ELV

Green Image  
 Not Relevant

**Search Parts in this Series**

[43202 Series](#)

**Mates With**

FCC 68 Plugs

Shielded Yes  
Voltage - Maximum 125V

**Solder Process Data**

Lead-freeProcess Capability WAVE

**Material Info**

**Reference - Drawing Numbers**

Packaging Specification PK-43202-004  
Sales Drawing SDA-43202

This document was generated on 07/11/2016

**PLEASE CHECK [WWW.MOLEX.COM](http://WWW.MOLEX.COM) FOR LATEST PART INFORMATION**