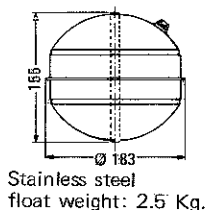
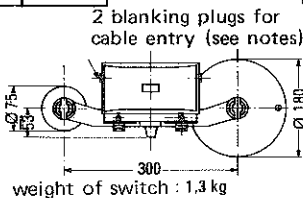
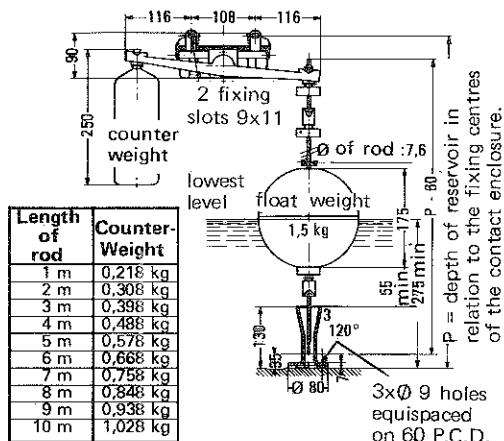
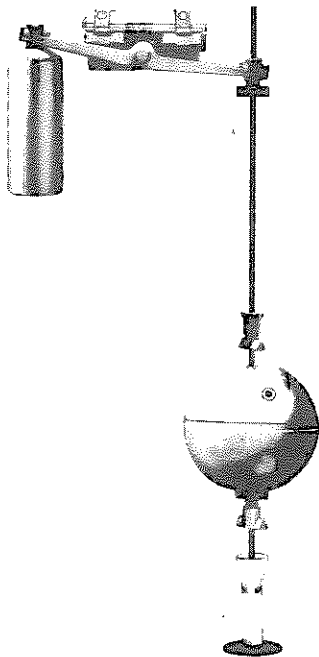


**XL1-AC  
XL1-BC**  
Rod  
operated  
float switch



## ELECTRICAL CHARACTERISTICS

● **XL1-A:** thermal rating 10 A (contact ZL1-AA12, N/O and N/C) limited D.C. applications.

Electrical life 1 to 3 million operations.

AC	50-60 Hz				
Voltage	48 V	127 V	220 V	380 V	500 V
Inductive	300	600	650	650	650
Resistive	480	1 100	1 200	1 150	1 100
Breaking capacity VA					

DC					
Voltage	48 V	110 V	220 V	440 V	600 V
Inductive	45	35	30	25	22
Resistive	200	140	110	85	80
Breaking capacity Watts					

● **XL1-B:** thermal rating 20 A (contact ZC4-CB1, N/O or N/C). Electrical life 1 to 3 million operations.

AC	50-60 Hz				
Voltage	48 V	127 V	220 V	380 V	500 V
Inductive	500	1 300	1 500	1 500	1 500
Resistive	750	1 900	2 200	2 200	2 200
Breaking capacity VA					

DC					
Voltage	48 V	110 V	220 V	440 V	600 V
Inductive	100	90	90	90	85
Resistive	400	320	290	250	240
Breaking capacity Watts					

Ratings for AC11 and DC11 duties.

- **Operating temperature:**  $-20^{\circ}\text{C}$  to  $+70^{\circ}\text{C}$ .
- **Storage temperature:**  $-40^{\circ}\text{C}$  to  $+70^{\circ}\text{C}$ .
- **Maximum voltage:** 500V A.C., 600V D.C.

## Electrical connections

● **Screw terminals incorporating captive cable clamp.** Capacity:  $2 \times 1.5\text{mm}^2$  or  $1 \times 2.5\text{mm}^2$  for both ZL1-AA and ZC4-CB contacts.

● **Cable entry** two tapped holes suitable for conduit 20.4mm Dia. (Pg 13.5) or insulated cable glands type CM12 for 9 – 13mm Dia. cables.

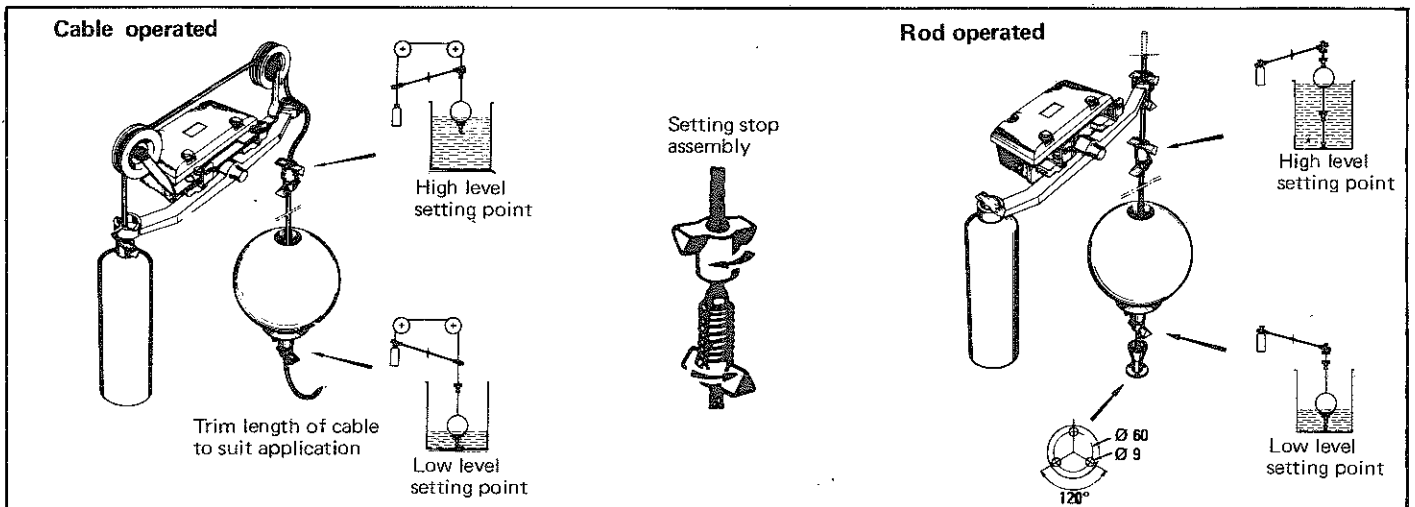
**20mm conduit adaptor supplied as standard.**

## Float switches

• References

• Setting

CABLE OPERATED FLOAT SWITCH XM1-AB & BB	References		ROD OPERATED FLOAT SWITCH XM1-AC & BC	References	
	contact <b>ZL1-AA12</b> N/O + N/C Ith = 10 A	contact <b>ZC4-CB1</b> N/O or N/C Ith = 20 A		contact <b>ZL1-AA12</b> N/O + N/C Ith = 10 A	contact <b>ZC4-CB1</b> N/O or N/C Ith = 20 A
<b>Standard models</b>			<b>Standard models</b>		
<ul style="list-style-type: none"> <li>• Normal environment</li> </ul>	<b>XL1-AB12</b>	<b>XL1-BB2</b>	<ul style="list-style-type: none"> <li>• Normal environment</li> </ul>	<b>XL1-AC12</b>	<b>XL1-BC2</b>
<b>Special models</b>			<b>Special models</b>		
<ul style="list-style-type: none"> <li>• Corrosive environment Polyester contact enclosure. Stainless steel screws. Protective coating on fixing lugs and pulley supports.</li> </ul>	<b>XL1-AB121</b>	<b>XL1-BB21</b>	<ul style="list-style-type: none"> <li>• Corrosive environment Polyester contact enclosure. Stainless steel screws. Protective coating on fixing lugs.</li> </ul>	<b>XL1-AC121</b>	<b>XL1-BC21</b>
<ul style="list-style-type: none"> <li>• Corrosive liquids Polyester contact enclosure. Stainless steel cable, float and setting stops.</li> </ul>	<b>XL1-AB122</b>	<b>XL1-BB22</b>	<ul style="list-style-type: none"> <li>• Corrosive liquids Polyester contact enclosure. Stainless steel rod, float and setting stops.</li> </ul>	<b>XL1-AC122</b>	<b>XL1-BC22</b>
<ul style="list-style-type: none"> <li>• Corrosive environment and liquids Polyester contact enclosure Stainless steel screws. Protective coating on lugs and pulley supports. Stainless steel cable, float and setting stops.</li> </ul>	<b>XL1-AB123</b>	<b>XL1-BB23</b>	<ul style="list-style-type: none"> <li>• Corrosive environment and liquids Polyester contact enclosure. Stainless steel screws. Protective coating on fixing lugs. Stainless steel rod, float and setting stops.</li> </ul>	<b>XL1-AC123</b>	<b>XL1-BC23</b>



When ordering: a float switch please state exact reference.