

**PLEASE CHECK WWW.MOLEX.COM FOR LATEST PART INFORMATION**

**Part Number:** [0051252011](#)  
**Status:** **Active**  
**Overview:** LFH™ Interconnect System  
**Description:** 1.27mm Pitch LFH™ Matrix 50 Receptacle Cable Kit, Terminal Stick, 15 Circuits

**Documents:**

[3D Model](#) [Product Specification PS-70928 \(PDF\)](#)  
[Drawing \(PDF\)](#) [RoHS Certificate of Compliance \(PDF\)](#)

**General**

Product Family	I/O Connectors
Series	70985
Application	Wire-to-Board
Comments	Sticks may be trimmed using LFH Stick Preparation Tool Kit 62200-1100
Component Type	Receptacle
Overview	<a href="#">LFH™ Interconnect System</a>
Product Name	LFH™
Type	N/A
UPC	800754387576

**Physical**

Circuits (Loaded)	15
Circuits (maximum)	15
Lock to Mating Part	None
Material - Metal	Beryllium Copper
Material - Plating Mating	Gold
Material - Plating Termination	Tin
Net Weight	0.538/g
Orientation	Vertical
PCB Retention	N/A
Packaging Type	Tray
Panel Mount	No
Pitch - Mating Interface	1.27mm
Pitch - Termination Interface	1.27mm
Plating min - Mating	0.762µm
Plating min - Termination	2.540µm
Polarized to Mating Part	Yes
Surface Mount Compatible (SMC)	N/A
Temperature Range - Operating	-20°C to +80°C
Termination Interface: Style	Surface Mount
Wire Size AWG	28, 30, 32, 34, 36

**Electrical**

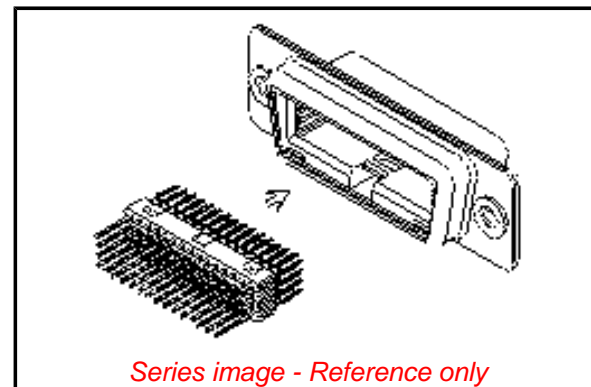
Current - Maximum per Contact	1.0A
Shielded	Yes
Voltage - Maximum	40V

**Material Info**

Engineering Number	A709851001
--------------------	------------

**Reference - Drawing Numbers**

Product Specification	PS-70928, RPS-70928-002
Sales Drawing	SDA-70985-100*



*Series image - Reference only*

**EU ELV**

**Not Relevant**

**EU RoHS**

**Compliant**

**REACH SVHC**

Not Contained Per -  
ED/21/2016 (20 June  
2016)

**Halogen-Free**

**Status**

**Low-Halogen**

**Need more information on product environmental compliance?**

Email [productcompliance@molex.com](mailto:productcompliance@molex.com)  
Please visit the [Contact Us](#) section for any non-product compliance questions.

China ROHS

ELV

Green Image

Not Relevant

**Search Parts in this Series**

[70985 Series](#)

**Mates With**

[70929](#)

**PLEASE CHECK [WWW.MOLEX.COM](http://WWW.MOLEX.COM) FOR LATEST PART INFORMATION**