

PLEASE CHECK WWW.MOLEX.COM FOR LATEST PART INFORMATION

Part Number: [0051241022](#)
Status: **Active**
Overview: LFH™ Interconnect System
Description: 1.27mm Pitch LFH Receptacle Terminal Stick, with Carrier, 40 Circuits

Documents:

[3D Model](#) [Product Specification PS-71626-001 \(PDF\)](#)
[Drawing \(PDF\)](#) [RoHS Certificate of Compliance \(PDF\)](#)

General

Product Family	I/O Connectors
Series	70985
Application	Wire-to-Board
Component Type	Terminal Stick
Overview	<u>LFH™ Interconnect System</u>
Product Name	LFH
Type	N/A
UPC	800754946087

Physical

Circuits (Loaded)	40
Circuits (maximum)	40
Lock to Mating Part	None
Material - Metal	Copper Alloy
Material - Plating Mating	Gold
Material - Plating Termination	Tin
Net Weight	2.293/g
Orientation	Vertical
PCB Retention	N/A
Packaging Type	Tray
Panel Mount	No
Pitch - Mating Interface	1.27mm
Plating min - Mating	0.762µm
Plating min - Termination	2.540µm
Polarized to Mating Part	Yes
Surface Mount Compatible (SMC)	N/A
Temperature Range - Operating	-20°C to +80°C
Termination Interface: Style	Surface Mount
Wire Size AWG	28, 30, 32, 34, 36

Electrical

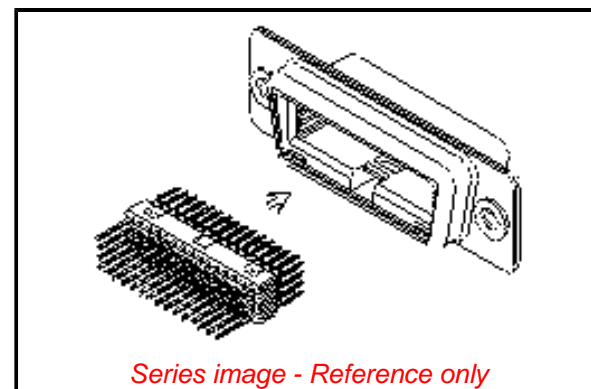
Current - Maximum per Contact	1.0A
Shielded	Yes
Voltage - Maximum	40V

Material Info

Engineering Number	70985-4001
--------------------	------------

Reference - Drawing Numbers

Product Specification	PS-71626-001
Sales Drawing	SD-70985-001



Series image - Reference only

EU ELV

Not Relevant

EU RoHS

Compliant

REACH SVHC

Not Contained Per
-ED/01/2018 (15
January 2018)

Halogen-Free

Status

Low-Halogen

**Need more information on product
environmental compliance?**

Email productcompliance@molex.com
Please visit the [Contact Us](#) section for any
non-product compliance questions.

China ROHS

ELV

RoHS Phthalates

Green Image

Not Relevant

Not Contained

Search Parts in this Series

[70985 Series](#)

Mates With

[70928](#)