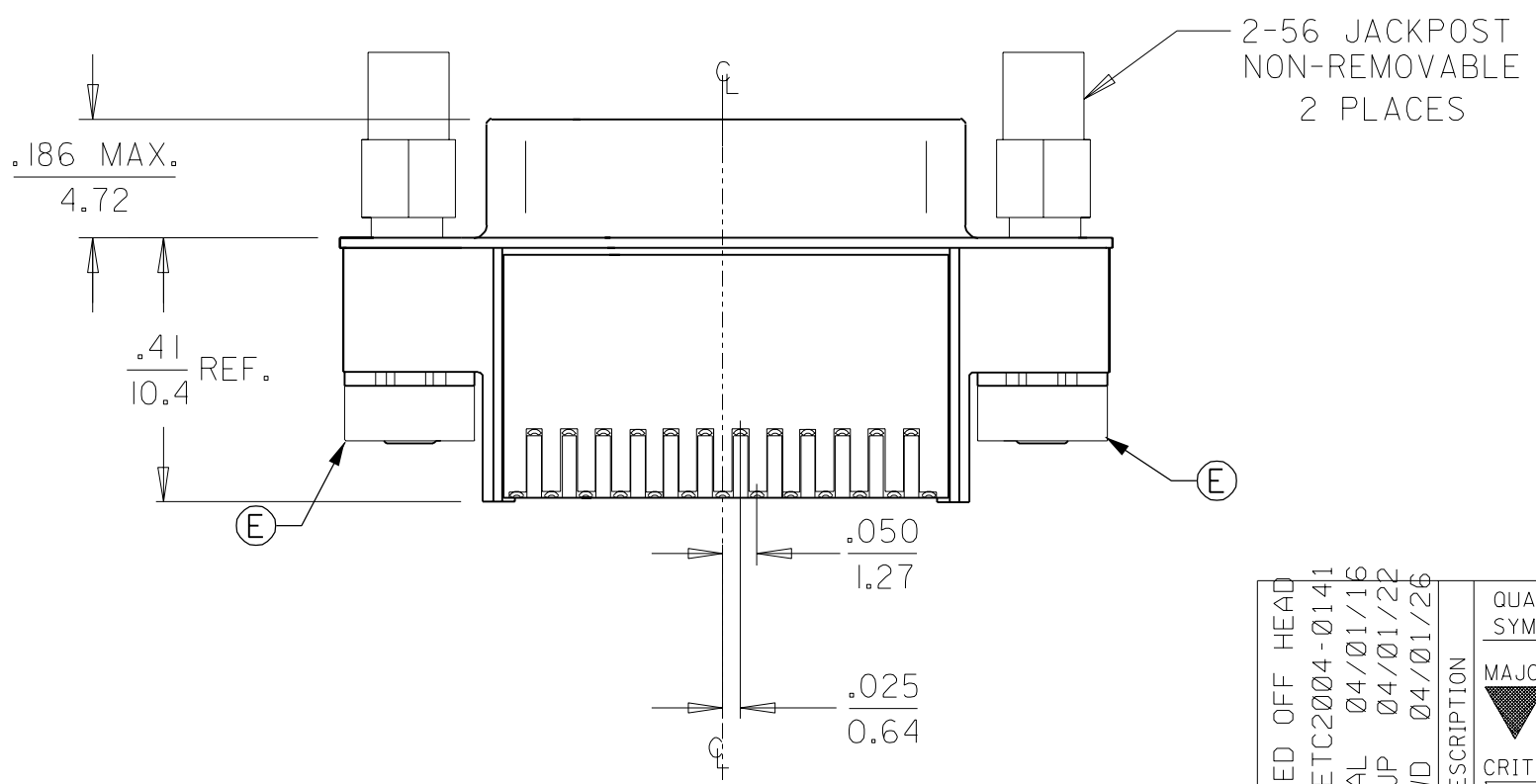
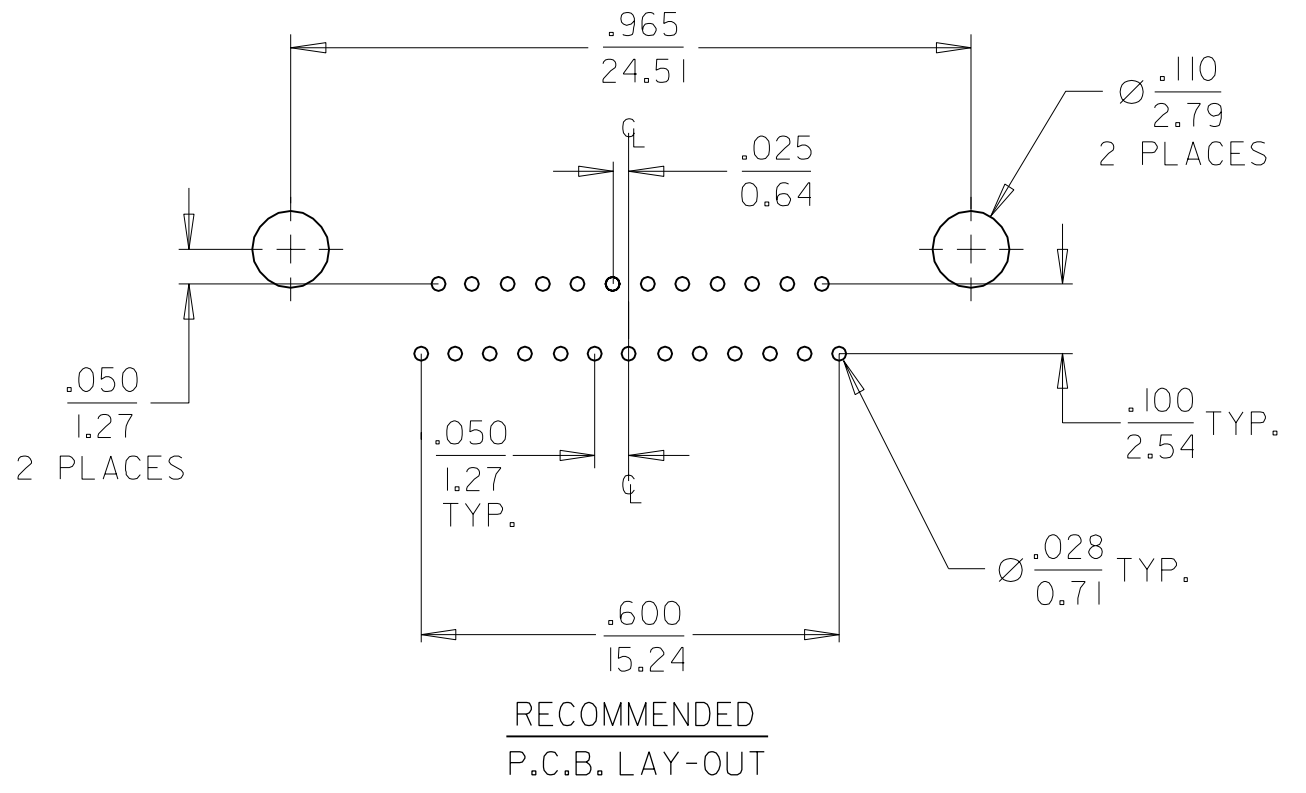
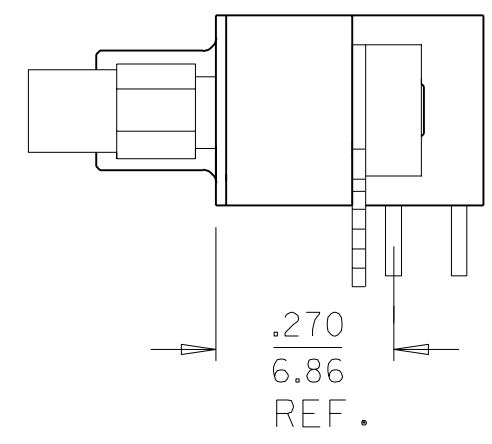
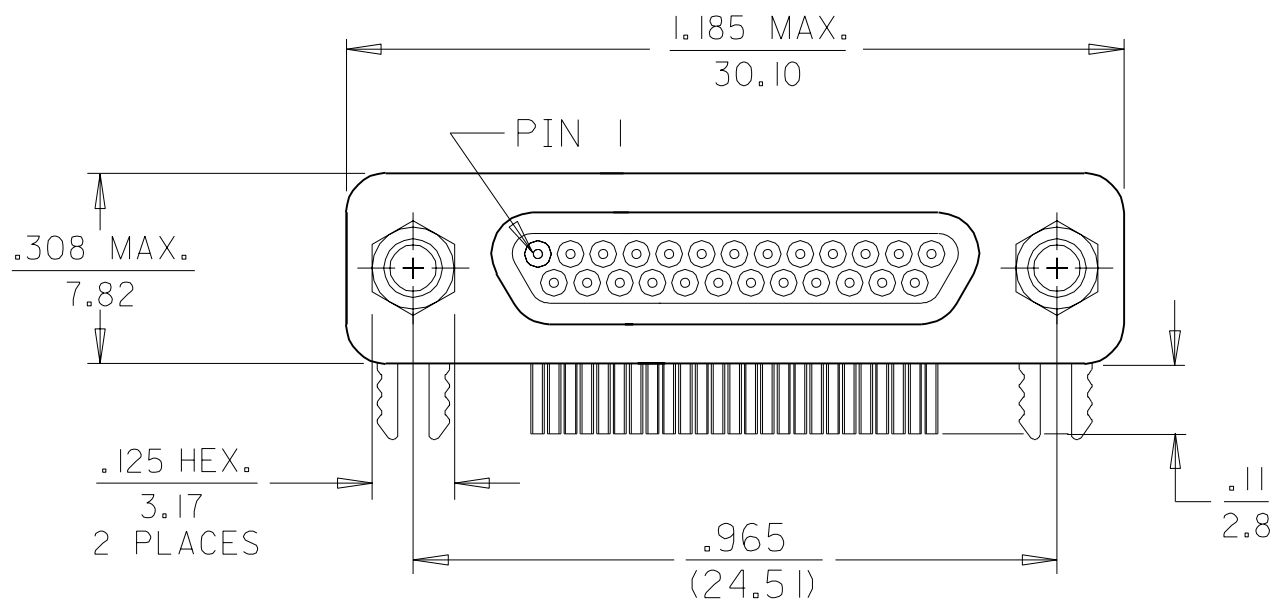


MATERIAL NO.	ENG. NO.
836149015	83614-9015

SD-83614-002



### SALES DRAWING

2. MARKING: NONE.  
 1. REFER TO PS-83421-9000 FOR PRODUCT SPECIFICATION.  
 NOTES: UNLESS OTHERWISE SPECIFIED.

SQUARED OFF HEAD EC NO. ETC2004-0141 DRWN: JAL 04/01/16 CHK: JJP 04/01/22 APPR: RWD 04/01/26	QUALITY SYMBOLS MAJOR $\nabla = \emptyset$ CRITICAL $\triangle = \emptyset$	GENERAL TOLERANCES: (UNLESS SPECIFIED)		SCALE: NONE	DESIGN UNITS: <input type="checkbox"/> mm <input checked="" type="checkbox"/> INCH	THIRD ANGLE PROJECTION: <input checked="" type="checkbox"/> THIRD ANGLE <input type="checkbox"/> FIRST ANGLE	DIMENSIONS: <input type="checkbox"/> mm <input checked="" type="checkbox"/> INCH <input type="checkbox"/> mm ONLY	SHT	REV	
				4 PLACES $\pm 0.-----$ $\pm .-----$	DRAWN BY & DATE: DLM 02/03/15		TITLE: CONNECTOR, COMMERCIAL-D, PLUG SIZE 25, RIGHT ANGLE, NON-REMOVABLE JACKPOST			
				3 PLACES $\pm 0.----$ $\pm .----$	CHECKED BY & DATE: JL 02/03/15					
				2 PLACES $\pm 0.---$ $\pm .---$	APPROVED BY & DATE: RWD 02/03/15		MOLEX INCORPORATED			
		1 PLACE $\pm 0.---$ $\pm .---$	CAD FILENAME: SD83614002.DGN		MATERIAL NO. (SEE CHART)	DRAWING NO. SD-83614-002				
		ANGULAR: $\pm - - \emptyset$		THIS DRAWING CONTAINS INFORMATION THAT IS PROPRIETARY TO MOLEX INCORPORATED AND SHOULD NOT BE USED WITHOUT WRITTEN PERMISSION.						
		DRAFT WHERE APPLICABLE MUST REMAIN WITHIN DIMENSIONS		SIZE B						