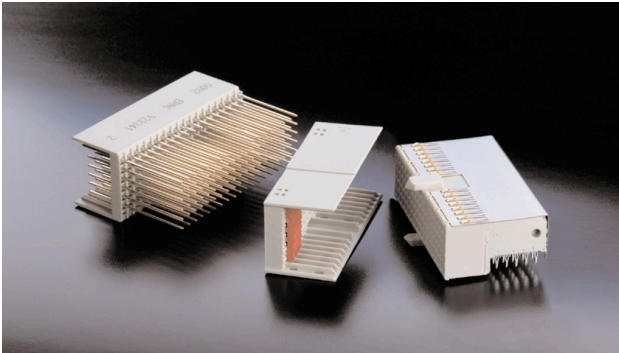


CompactPCI Connectors acc. to PIGMG 2.0 Rev. 3.0

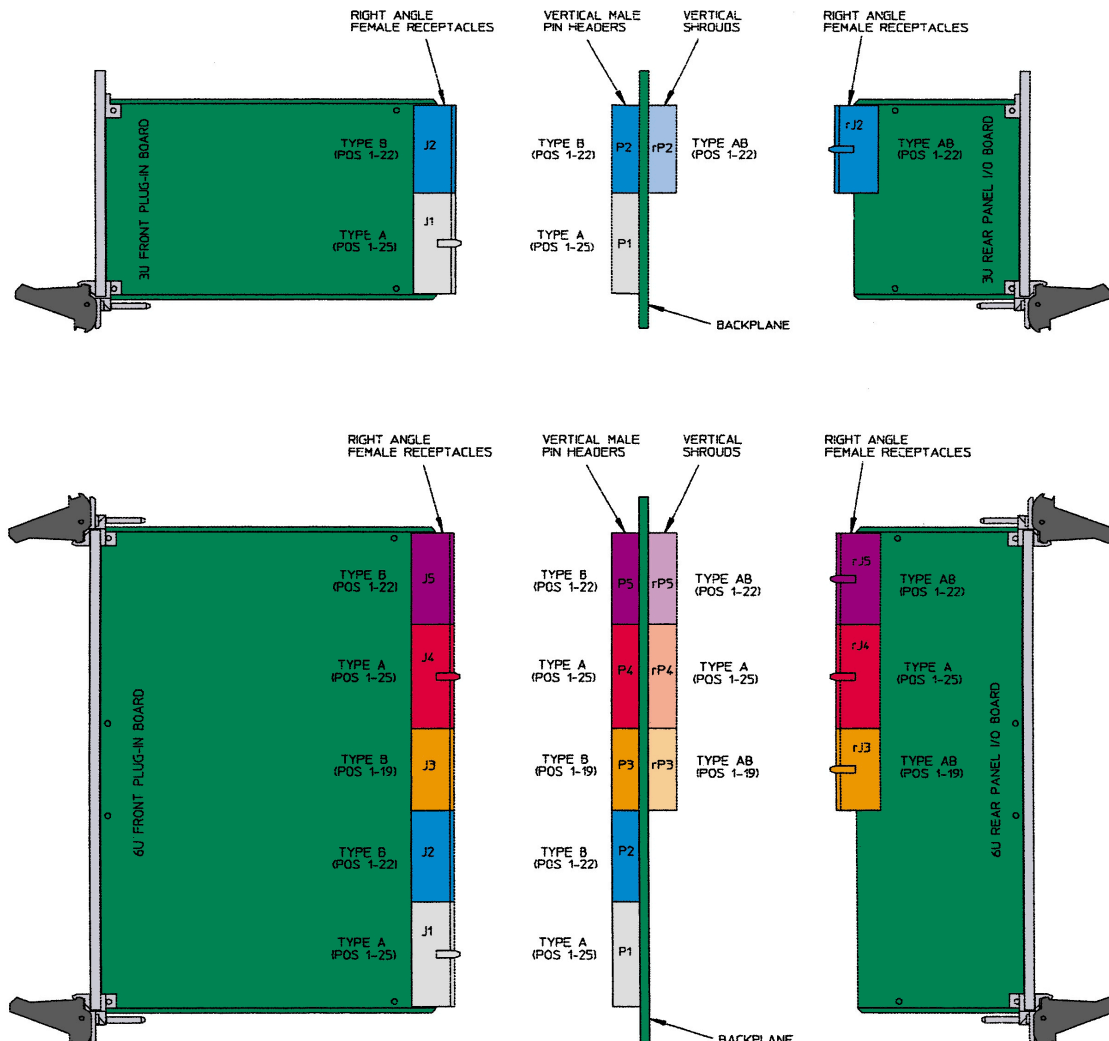


General

Late in 1999 PCI Industrial Computer Manufacturers Group (PICMG) introduced the new revision 3.0 of the CompactPCI Core Specification. Version 3.0 of this specification comprises a.o. hot swap and computer telephony specifications such as pin sequencing. For CompactPCI, the metric ERmet connectors are specified in accordance with IEC 61076-4-101 which are available in build types A, B, AB, and as monoblock versions. This new version of the CompactPCI specification has the consequence a.o. that for 3 HE backplanes on position P2 a male connector, build

type B with long connection pins for AB transfer and AB shrouds are inserted into position rP2. At the rear card end, on position rJ2, a shielded female connector in build type AB is specified. For 6 HE backplanes, on P3 and P5, the male connector - build type B with long connection pins - for AB transfer and AB shrouds have to be inserted into positions rP3 and rP5. At the rear card end, on positions rJ3 and rJ5, a shielded female connector, build type AB, has been specified here. On P4, a blade contact strip, build type A with long connection pins for A shroud and A shroud frames, has been specified on position rP4. For the rear card end, a shielded female connector, build type A, has been defined on rJ4. For male connectors with shrouds in build types A and B, the specification only requires a series a grounding for the upper screening panel.

All necessary connectors required in accordance with the new CompactPCI specification are available from ERNI. In addition, for CompactPCI applications, ERNI also offers an economic solution for a male connector with long terminal pins, which is populated with shield contacts on row a only. In addition to the new AB compatible male connectors for CompactPCI, ERNI also supplies shrouds. Here, all shrouds are available in four different heights (3.9 mm, 4.5 mm, 5.3 mm, and 6.1 mm) in order to adapt to the printed circuit board thickness of the backplanes.



CompactPCI Connectors acc. to PIGMG 2.0 Rev. 3.0

Ordering Informations

| Male Connectors For Backplanes | Location On The PCB | Number Of Positions* | Contact Loading* | Part Number |
|--|---------------------|----------------------|------------------|-------------|
| Type A With Peg | P1 | 25 | CB---BC | 923190 |
| Type A With Peg And Extended Terminals For Shrouding | P1 Special | 25 | TP---PT | 923197 |
| Type A Without Peg And With Extended Terminals | P1 | 25 | TS---ST | 923342 |
| Type B (AB Compatible) With Extended Terminals For Shrouding | P2, P5 | 22 | TSSSSS- | 923345 |
| Type B (AB Compatible) With Extended Terminals For Shrouding | P3 | 19 | TSSSSST | 923341 |
| Type B (AB Compatible) With Extended Terminals For Shrouding | P3 | 19 | TSSSSS- | 923346 |
| Type A With Extended Terminals For Shrouding | P4 | 25 | S----ST | 923347 |
| Type A With Peg And Extended Terminals For Shrouding | P4 | 25 | TRRRRT | 064688 |
| Type A With Peg And Extended Terminals For Shrouding | P4 | 25 | TSSSSST | 103975 |
| Type B (AB Compatible) With Extended Terminals For Shrouding | P5 Telecom | 22 | ----- | 923339 |
| Type B (AB Compatible) With Extended Terminals For Shrouding | P2, P5 | 22 | TSSSSST | 923340 |

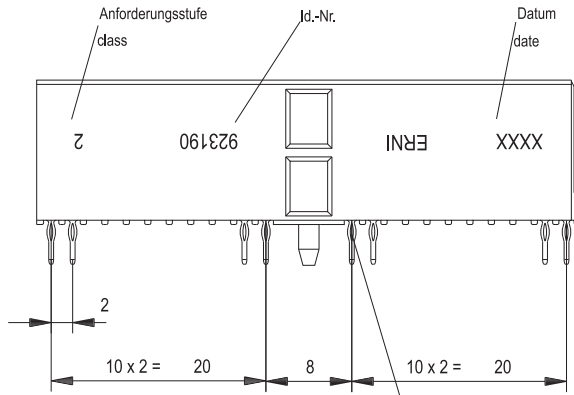
| Female Connectors For Daughter Cards | Location On The PCB | Number Of Positions* | Part Number |
|--|---------------------|----------------------|-------------|
| Type A With Shield, Without Peg | J1, J4 | 25 | 354142 |
| Type A With Split Shield, Partially Loaded | J4 Telecom | 25 | 104512 |
| Type A With Split Shield, Partially Loaded | rJ4 Telecom | 25 | 104697 |
| Type AB With Shield, Without Peg | rJ2, rJ5 | 22 | 114809 |
| Type AB With Shield, Without Peg | rJ3 | 19 | 134075 |
| Type B With Upper Shield | J2, J5 | 22 | 354148 |
| Type B With Upper Shield | J3 | 19 | 354146 |

| Shrouds For Male Connectors | Location On The PCB | Number Of Positions* | Height (mm) | Part Number |
|-----------------------------|---------------------|----------------------|-------------|-------------|
| Type A Shroud 25 Positions | rP1, rP4 | 25 | 14.35 | 114436 |
| Type A Shroud 25 Positions | rP1, rP4 | 25 | 14.95 | 054795 |
| Type A Shroud 25 Positions | rP1, rP4 | 25 | 15.75 | 054794 |
| Type A Shroud 25 Positions | rP1, rP4 | 25 | 16.55 | 054793 |
| Type AB Shroud 22 Positions | rP2, rP5 | 22 | 14.95 | 114426 |
| Type AB Shroud 22 Positions | rP2, rP5 | 22 | 15.75 | 114427 |
| Type AB Shroud 22 Positions | rP2, rP5 | 22 | 16.55 | 114428 |
| Type AB Shroud 19 Positions | rP3 | 19 | 14.35 | 114487 |
| Type AB Shroud 19 Positions | rP3 | 19 | 14.95 | 114488 |
| Type AB Shroud 19 Positions | rP3 | 19 | 15.75 | 114489 |
| Type AB Shroud 19 Positions | rP3 | 19 | 16.55 | 114490 |

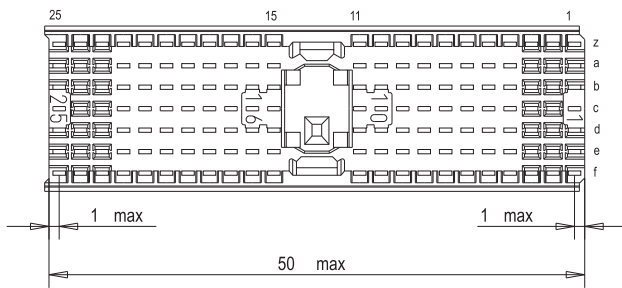
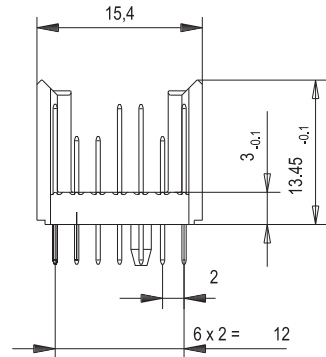
| Coding Keys | Application | Code Number | Color | Part Number |
|---|--------------|-------------|----------------|-------------|
| Coding Keys For Male Connectors And Shrouds | 5.0 Volts P1 | 1567 | Brilliant Blue | 043347 |
| Coding Keys For Male Connectors And Shrouds | 3.3 Volts P1 | 3456 | Cadmium Yellow | 043345 |
| Coding Keys For Male Connectors And Shrouds | Telecom P4 | 1248 | Strawberry Red | 043350 |
| Coding Keys For Female Connectors | 5.0 Volts J1 | 2348 | Brilliant Blue | 043337 |
| Coding Keys For Female Connectors | 3.3 Volts P1 | 1278 | Cadmium Yellow | 043335 |
| Coding Keys For Female Connectors | Telecom J4 | 3567 | Strawberry Red | 043340 |

* Length = 50mm; Pitch = 2.0mm => 50 / 2 = 25 Positions

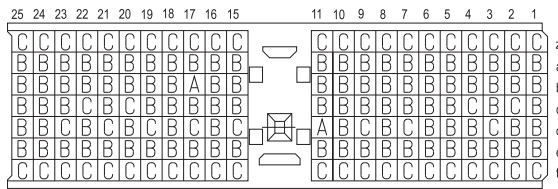
**Cross Sectional Loading From Z To F



EE Zone fuer durchkontaktierte
Loecher $\varnothing 0.6 \pm 0.05$
compliant zone for thru hole
 $\varnothing 0.6 \pm 0.05$

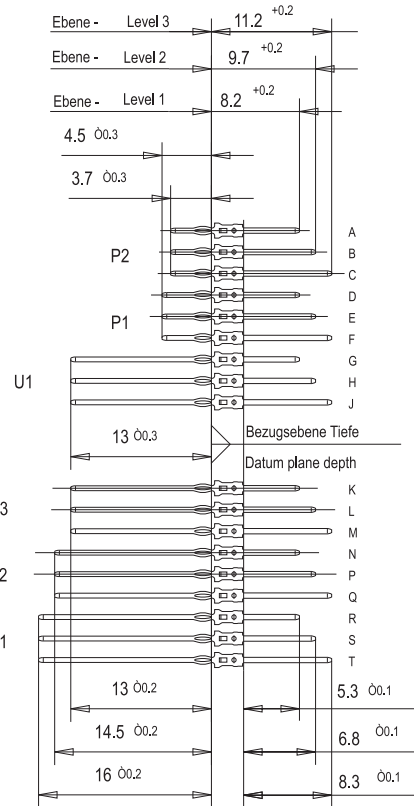
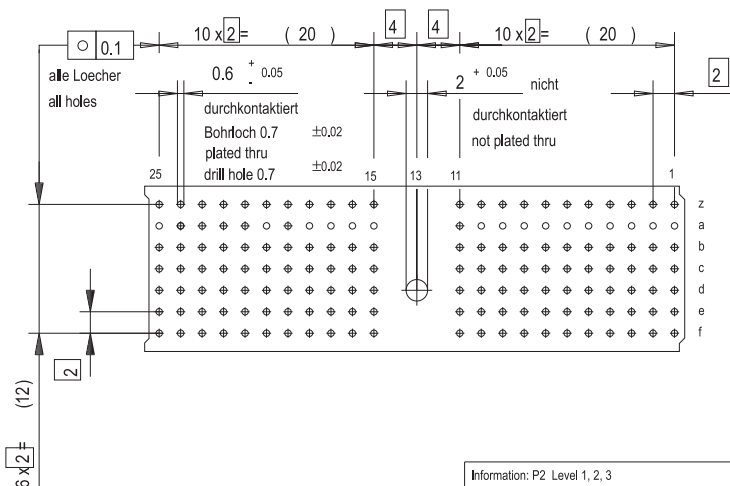


Bestueckungsplan - contact layout



Lochbild fuer Leiterplatte
(Bestueckungsseite)

Board hole pattern
(Component mounting side)



Fehlende Maße und Angaben nach IEC 61076-4-101

Missing information and dimensions per 61076-4-101

Information: P2 Level 1, 2, 3
siehe Bestueckungsplan/
see contact layout

Tolerances



All Dimensions
in mm

Scale 2:1

Designation

ERmet Messerleiste A
ERmet Male Wide Type A

923190

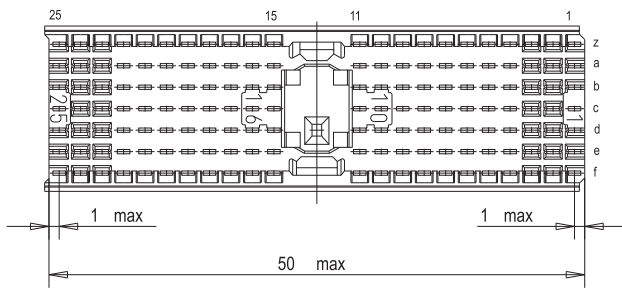
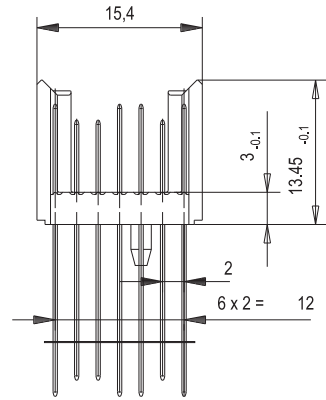
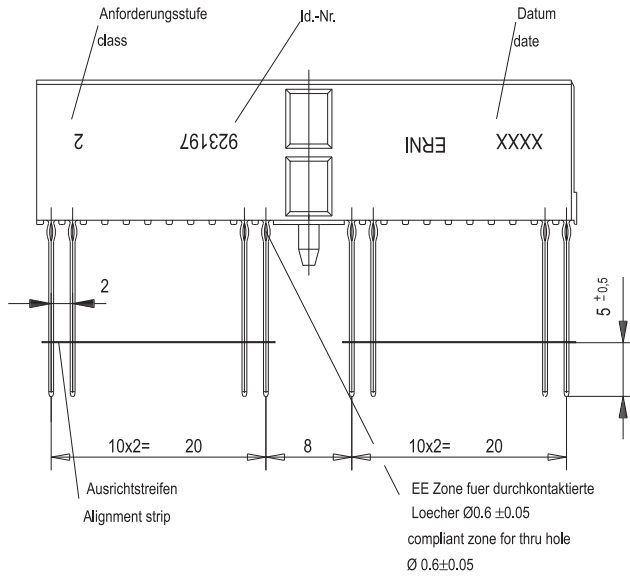
I

Consider protection memo from DIN 34

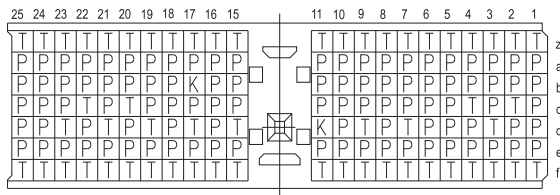
All rights reserved.
Only for information.
To insure that this is the latest
version of this drawing, please
contact one of the ERNI companies
before using.
Subject to modification without
prior notice.
Drawing will not be updated.

ERNI Elektroapparate GmbH
D-73099 ADELBERG

N:0006793.ZTL

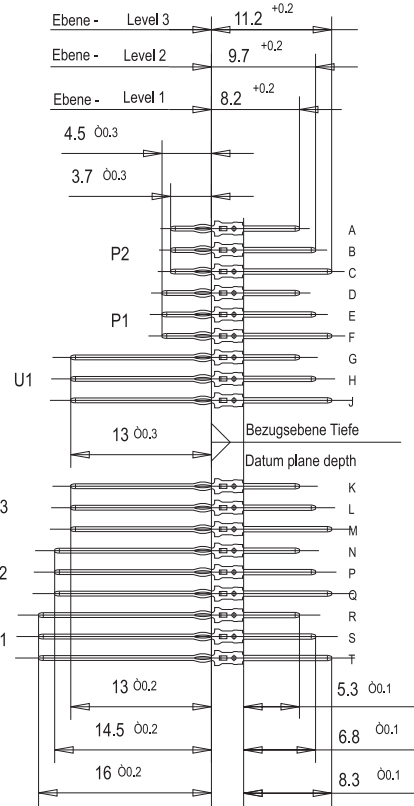
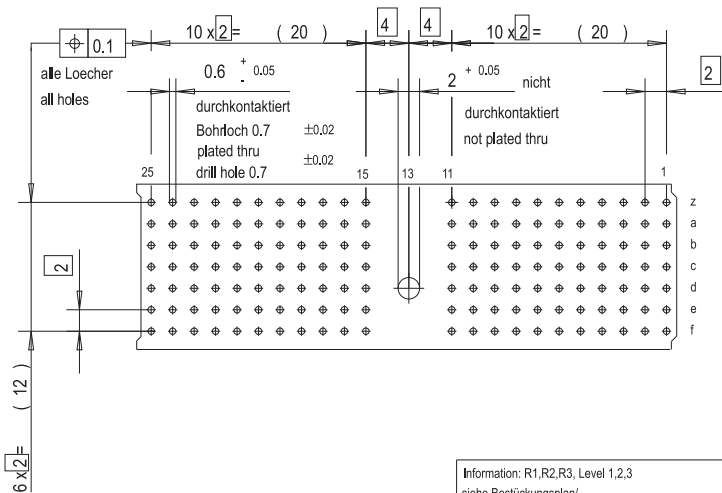


Bestueckungsplan - contact layout



Lochbild fuer Leiterplatte (Bestueckungsseite)

Board hole pattern (Component mounting side)



Fehlende Maße und Angaben nach IEC 61076-4-101

Missing information and dimensions per 61076-4-101

Information: R1,R2,R3, Level 1,2,3
siehe Bestückungsplan/
see contact layout

Consider protection memo from DIN 34

All rights reserved.
Only for information.
To insure that this is the latest
version of this drawing, please
contact one of the ERNI companies
before using.
Subject to modification without
prior notice.
Drawing will not be updated.

Tolerances



All Dimensions
in mm

Scale 2:1

Designation

ERmet Messerleiste A
ERmet Male Wide Type A

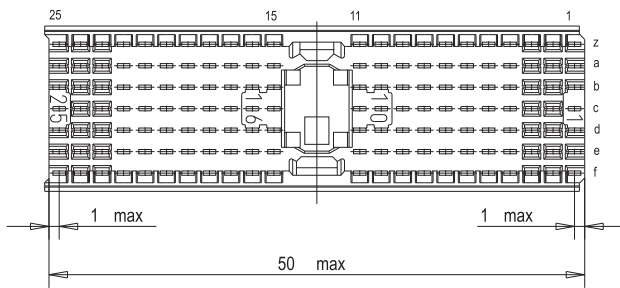
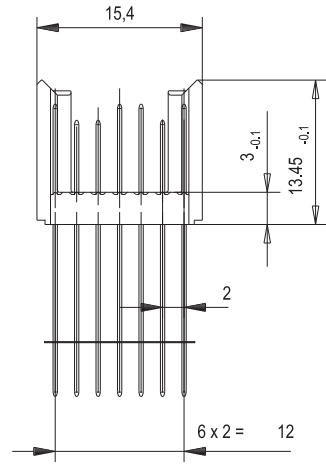
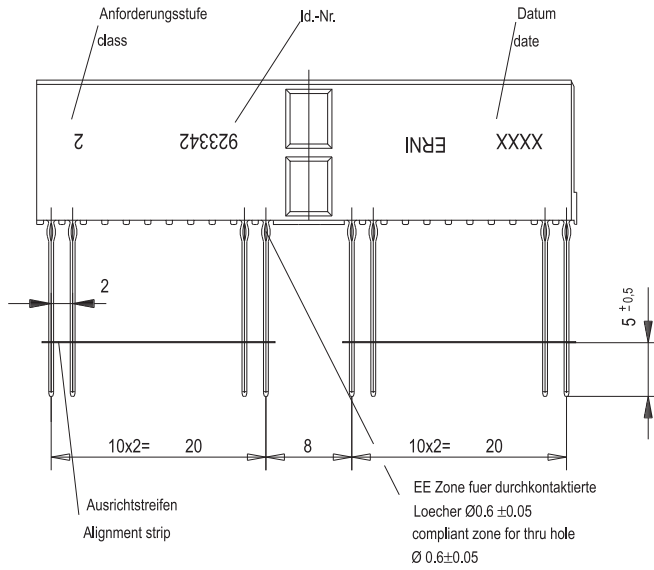


Elektroapparate GmbH
D-73099 ADELBERG

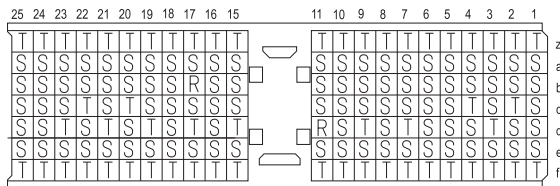
N:00007505.ZTL

923197

1

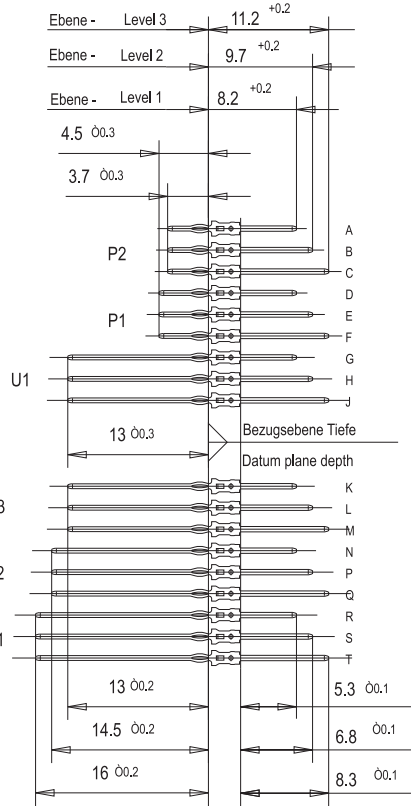
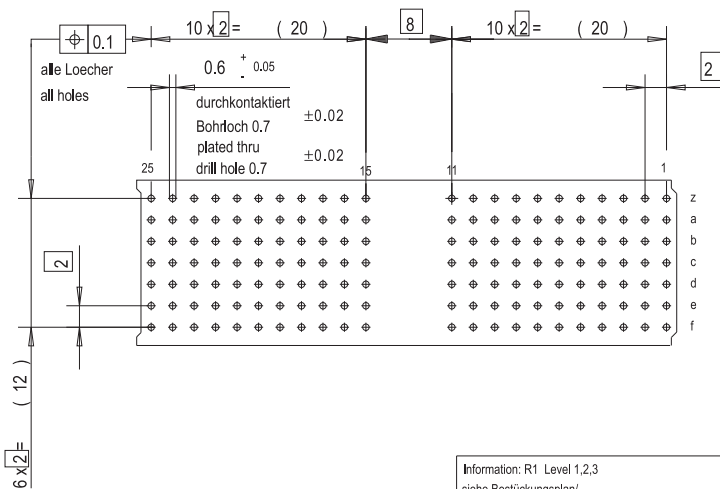


Bestueckungsplan - contact layout



Lochbild fuer Leiterplatte (Bestueckungsseite)

Board hole pattern (Component mounting side)



Information: R1 Level 1,2,3
siehe Bestueckungsplan/
see contact layout
ohne Fixierstift / without locating peg

Tolerances



Scale 2:1

Angaben zu entsprechender Ident-Nr. siehe Fertigungsunterlagen
For further information about I.D.number see manufacturing document

Designation

ERmet Messerleiste A
ERmet Male Wide Type A

Consider protection memo from DIN 34

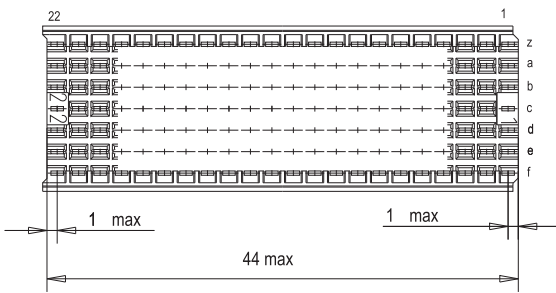
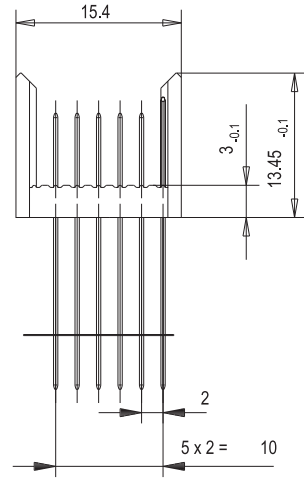
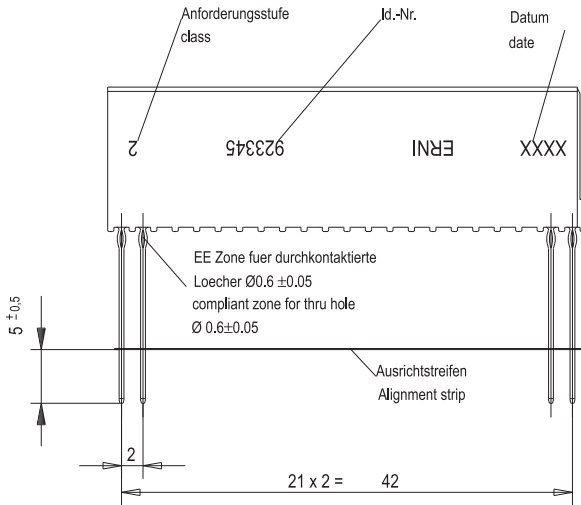
All rights reserved.
Only for information.
To insure that this is the latest version of this drawing, please contact one of the ERNI companies before using.
Subject to modification without prior notice.
Drawing will not be updated.



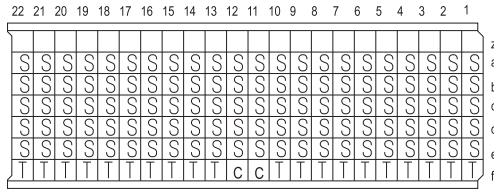
N:00007495.ZTL

923342

I

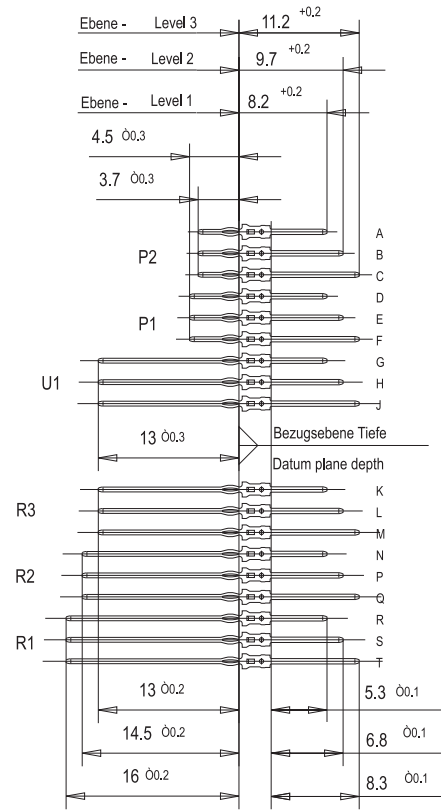
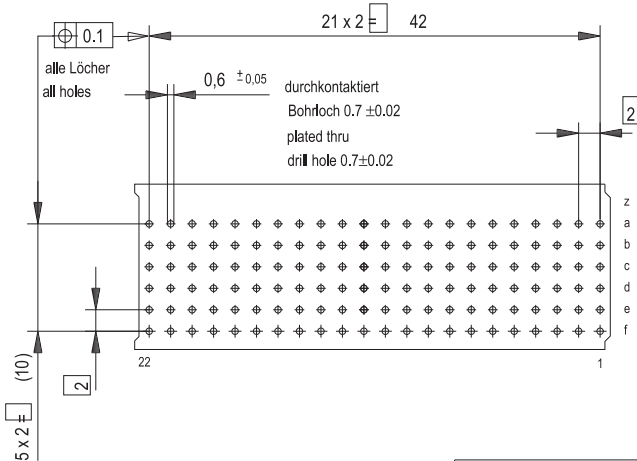


Bestueckungsplan - contact layout



Lochbild fuer Leiterplatte (Bestueckungsseite)

Board hole pattern (Component mounting side)



Fehlende Maße und Angaben nach IEC 61076-4-101

Missing information and dimensions per IEC 61076-4-101

Information: P2,R1

Level 2,3
siehe Bestueckungsplan /
see contact layout

All rights reserved.
Only for information.
To insure that this is the latest
version of this drawing, please
contact one of the ERNI companies
before using.
Subject to modification without
prior notice.
Drawing will not be updated.

Consider protection memo from DIN 34

Tolerances



Scale 2:1

Designation

ERmet Messerleiste B 22

ERmet Male Wide Type B 22

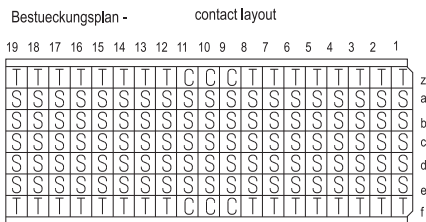
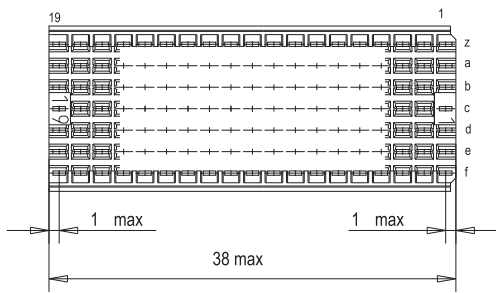
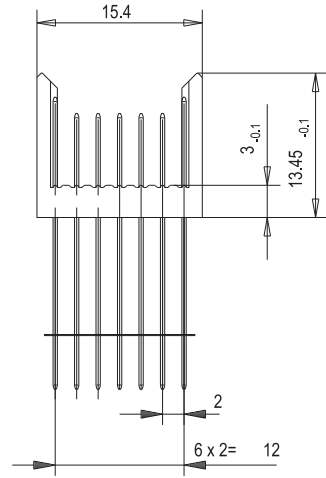
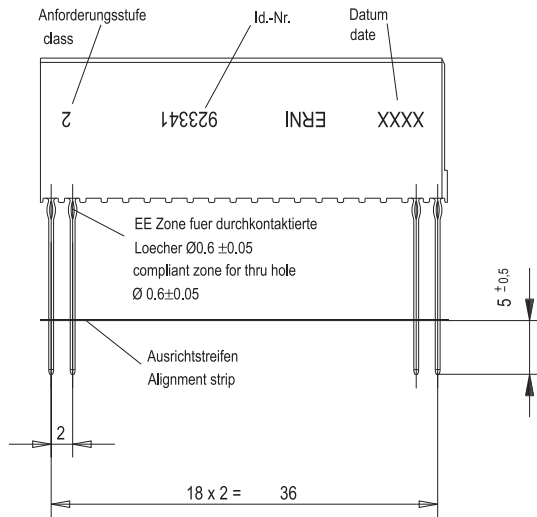
923345

I

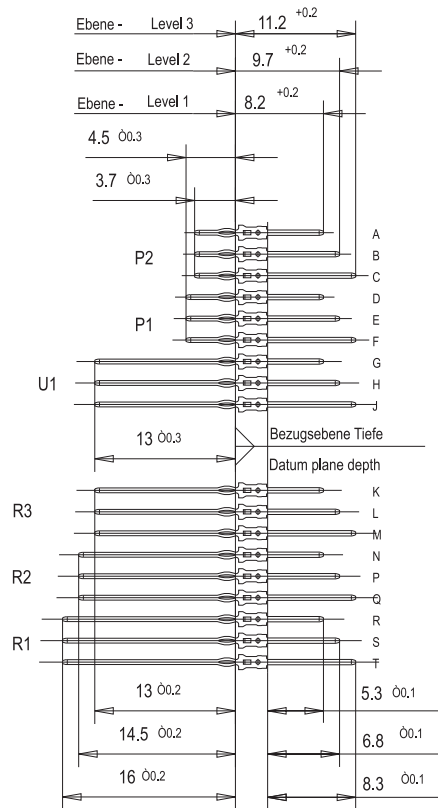
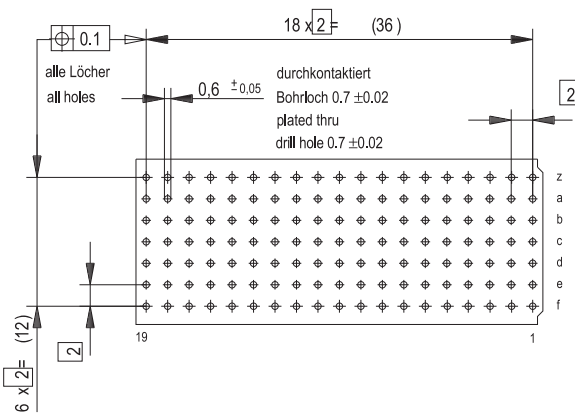


Elektroapparate GmbH
D-73099 ADELBERG

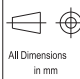

N:00007497.ZTL



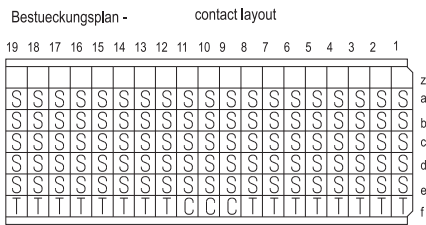
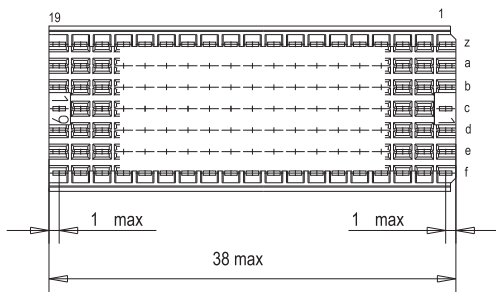
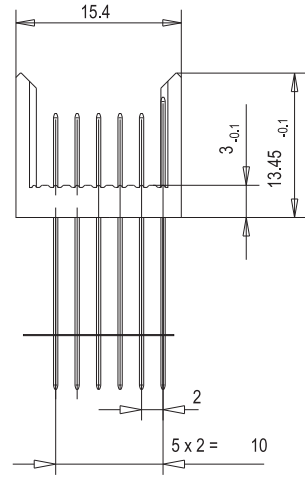
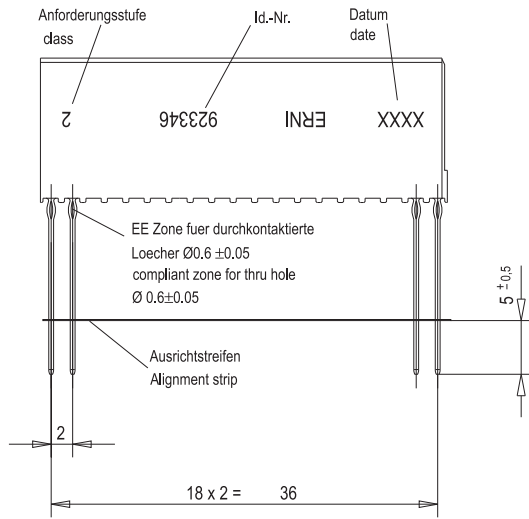
Lochbild fuer Leiterplatte Board hole pattern
(Bestueckungsseite) (Component mounting side)



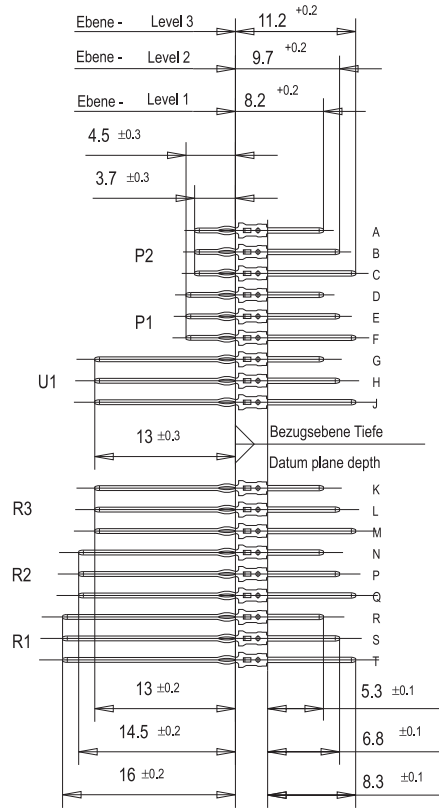
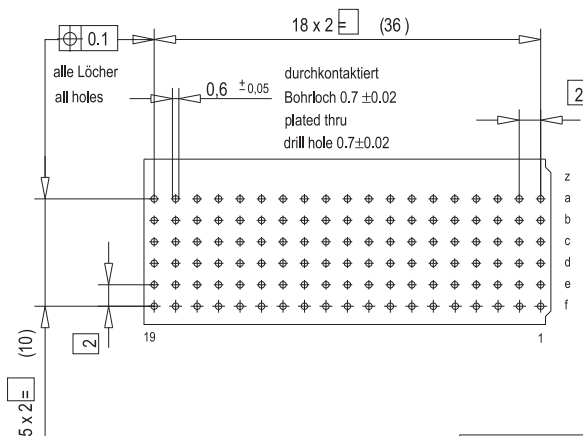
Fehlende Maße und Angaben nach IEC 61076-4-101
Missing information and dimensions per IEC 61076-4-101

| | | | |
|---|--|---|-----|
| Information: P2, R1 Level 2, 3 siehe Bestueckungsplan / see contact layout | Tolerances  All Dimensions in mm | Scale | 2:1 |
| | | Designation ERmet Messerleiste B 19 ERmet Male Wide Type B 19 | |
| All rights reserved. Only for information. To insure that this is the latest version of this drawing, please contact one of the ERNI companies before using. Subject to modification without prior notice. Drawing will not be updated. |  Elektroapparate GmbH D-73099 ADELBERG N:00007499.ZTL | 923341 | |
| | | I | |

Consider protection memo from DIN 34



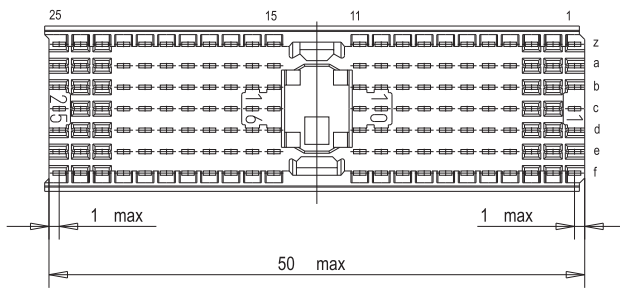
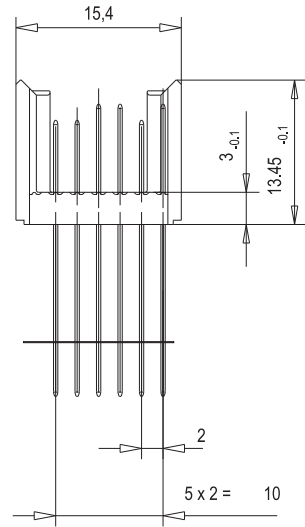
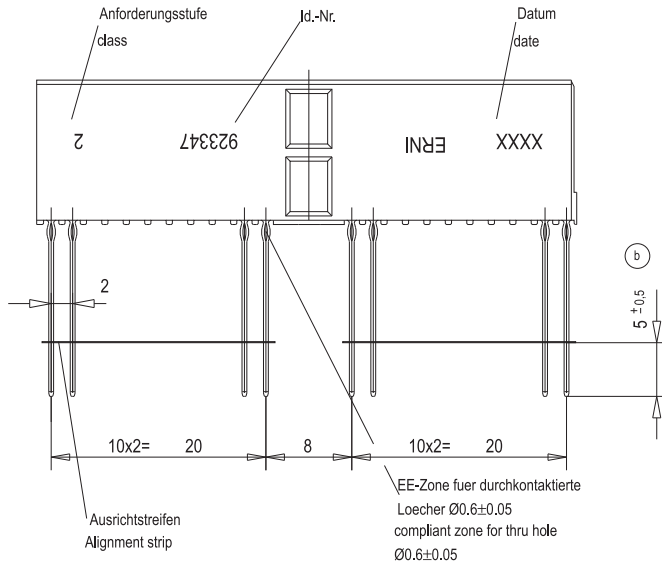
Lochbild fuer Leiterplatte (Bestueckungsseite)
 Board hole pattern (Component mounting side)



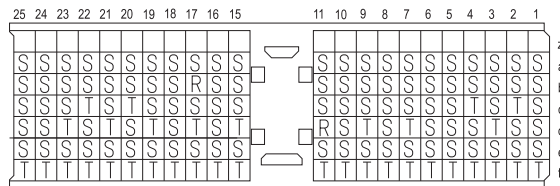
Fehlende Maße und Angaben nach IEC 61076-4-101
 Missing information and dimensions per IEC 61076-4-101

| | | | |
|---|---|---|-----|
| Information: P2, R1 Level 2, 3 siehe Bestueckungsplan / see contact layout | Tolerances All Dimensions in mm | Scale | 2:1 |
| | | Designation ERmet Messerleiste B 19 ERmet Male Wide Type B 19 | |
| All rights reserved. Only for information. To insure that this is the latest version of this drawing, please contact one of the ERNI companies before using. Subject to modification without prior notice. Drawing will not be updated. | Elektroapparate GmbH D-73099 ADELBERG N:0007501.ZTL | 923346 | |
| | | I | |

Consider protection memo from DIN 34

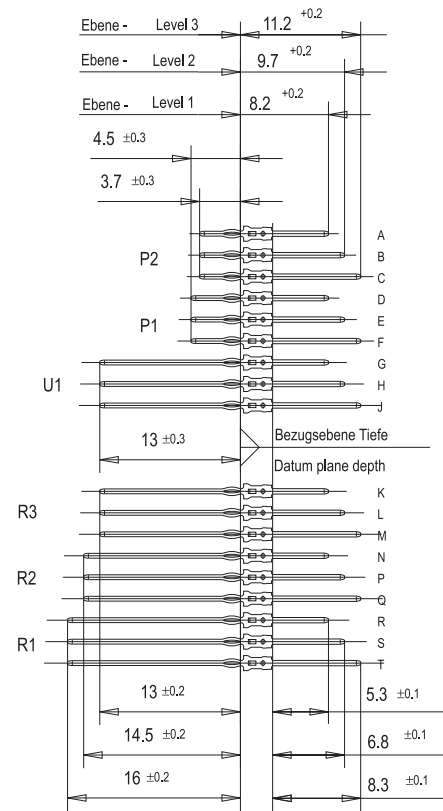
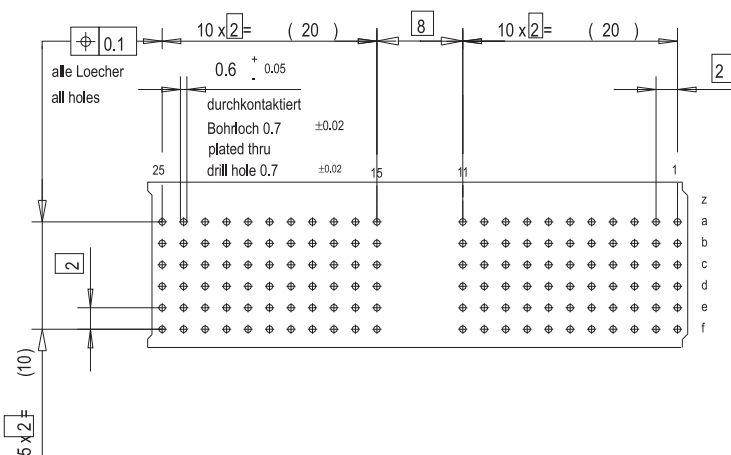


Bestueckungsplan - contact layout



Lochbild fuer Leiterplatte (Bestueckungsseite)

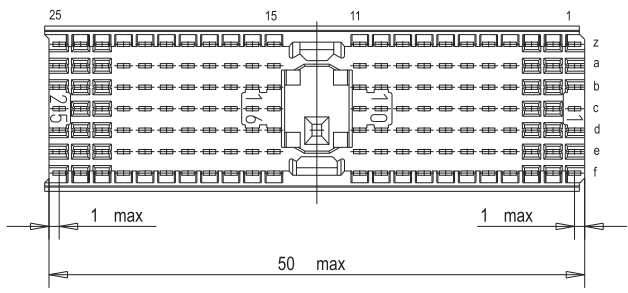
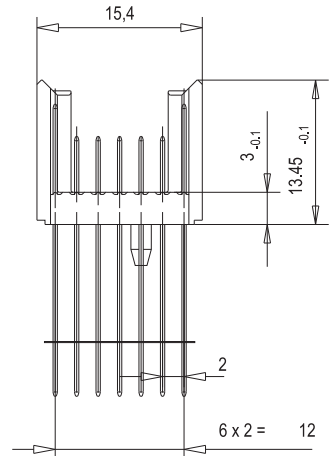
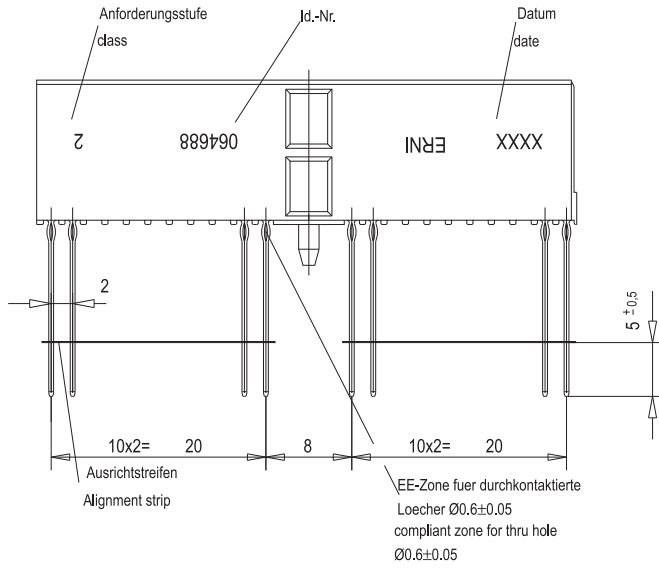
Board hole pattern (Component mounting side)



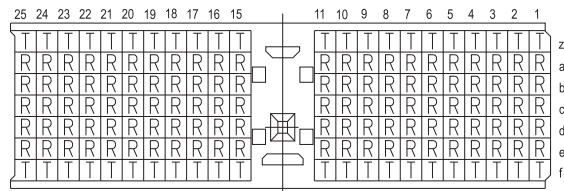
Fehlende Maße und Angaben nach IEC 61076-4-101

Missing information and dimensions per 61076-4-101

| | | | | |
|---|---|--------------------------|---|-----|
| Information: R1 Level 1,2,3 siehe Bestueckungsplan/ see contact layout ohne Fixierstift / without locating peg | Tolerances | All Dimensions in mm | Scale | 2:1 |
| | All rights reserved. Only for information. To insure that this is the latest version of this drawing, please contact one of the ERNI companies before using. Subject to modification without prior notice. Drawing will not be updated. | | Designation ERmet Messerleiste A ERmet Male Wide Type A | |
| Elektroapparate GmbH D-73099 ADELBERG N:00007496.ZTL | | 923347 | | I |

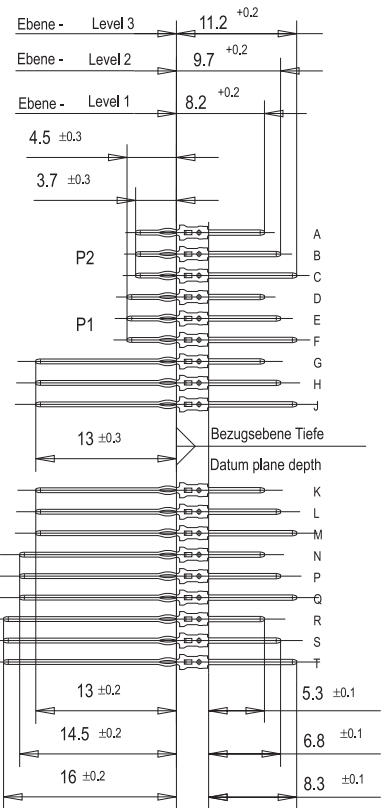
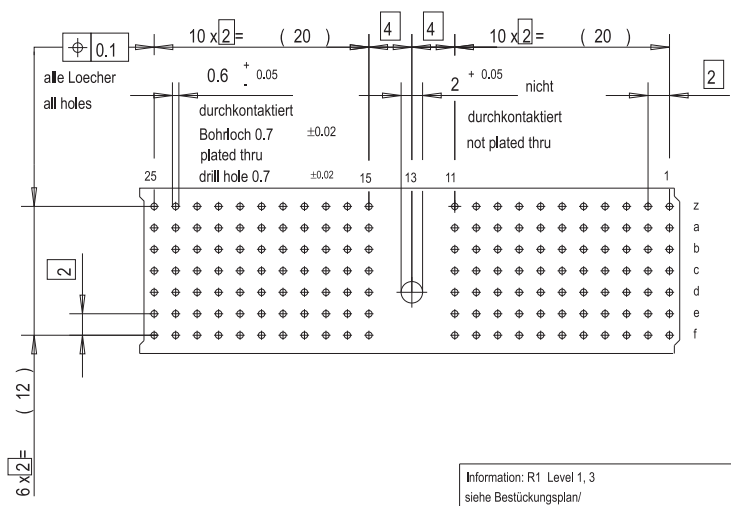


Bestueckungsplan - contact layout



Lochbild fuer Leiterplatte (Bestueckungsseite)

Board hole pattern (Component mounting side)



Fehlende Maße und Angaben nach IEC 61076-4-101
Missing information and dimensions per 61076-4-101

Information: R1 Level 1,3
siehe Bestückungsplan/
see contact layout

Tolerances



Scale 2:1

All Dimensions in mm

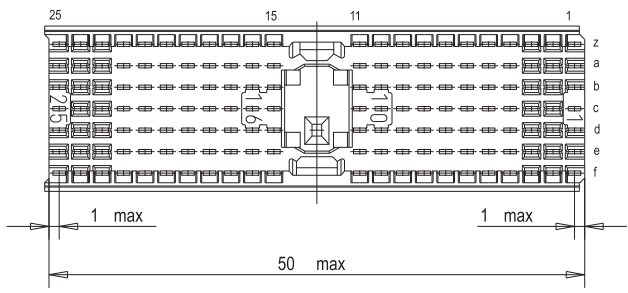
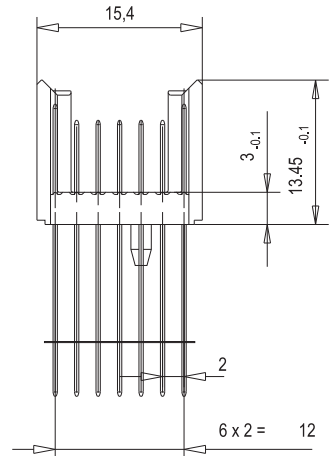
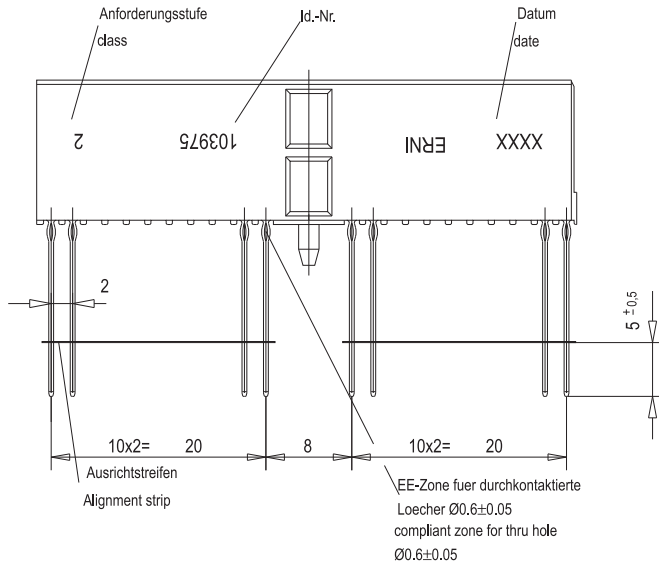
All rights reserved.
Only for information.
To insure that this is the latest version of this drawing, please contact one of the ERNI companies before using.
Subject to modification without prior notice.
Drawing will not be updated.

Designation
ERmet Messerleiste A
ERmet Male Wide Type A

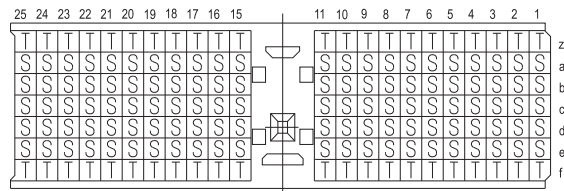
ERNI Elektroapparate GmbH
D-73099 ADELBERG
N:00006820.ZTL

064688

1

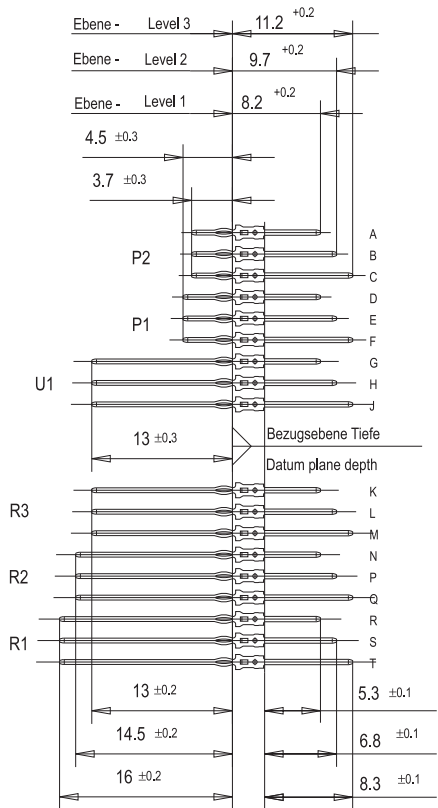
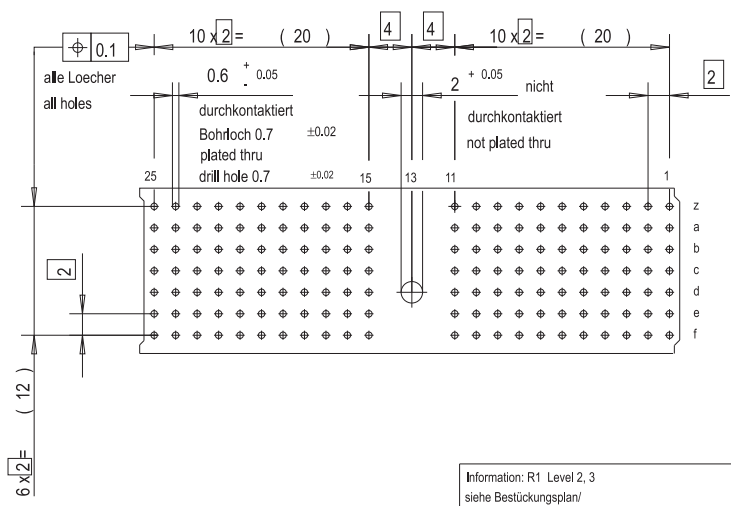


Bestueckungsplan - contact layout



Lochbild fuer Leiterplatte (Bestueckungsseite)

Board hole pattern (Component mounting side)



Fehlende Maße und Angaben nach IEC 61076-4-101
Missing information and dimensions per 61076-4-101

Information: R1 Level 2, 3
siehe Bestückungsplan/
see contact layout

Tolerances



Scale 2:1

All Dimensions in mm

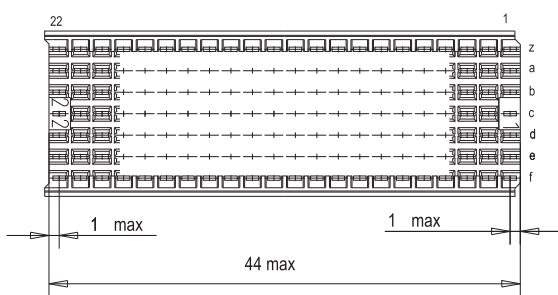
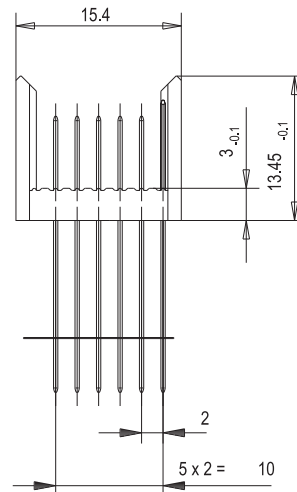
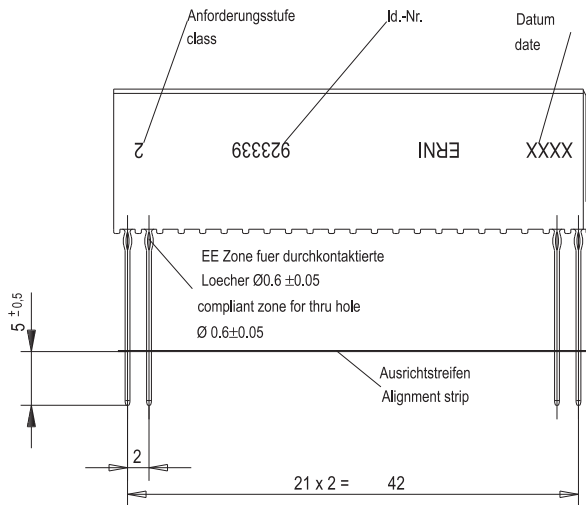
All rights reserved.
Only for information.
To insure that this is the latest version of this drawing, please contact one of the ERNI companies before using.
Subject to modification without prior notice.
Drawing will not be updated.

Designation
ERmet Messerleiste A
ERmet Male Wide Type A

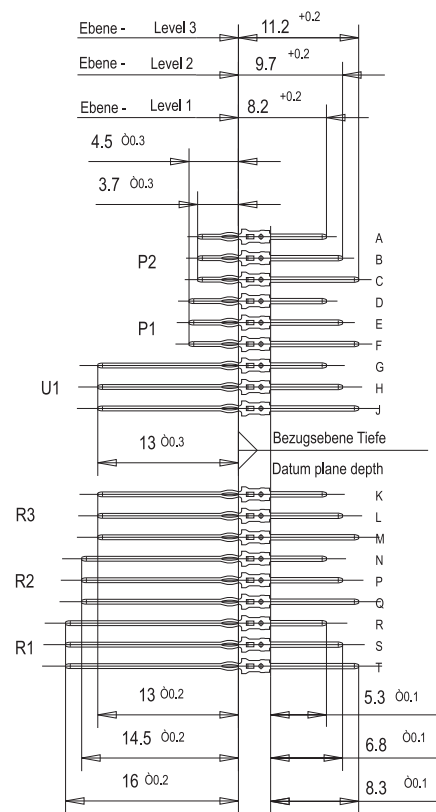
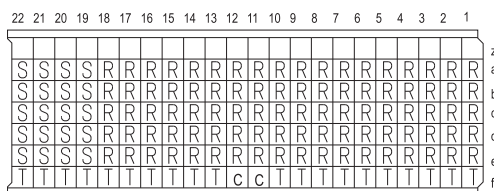
ERNI Elektroapparate GmbH
D-73099 ADELBERG
N:0007511.ZTL

103975

I

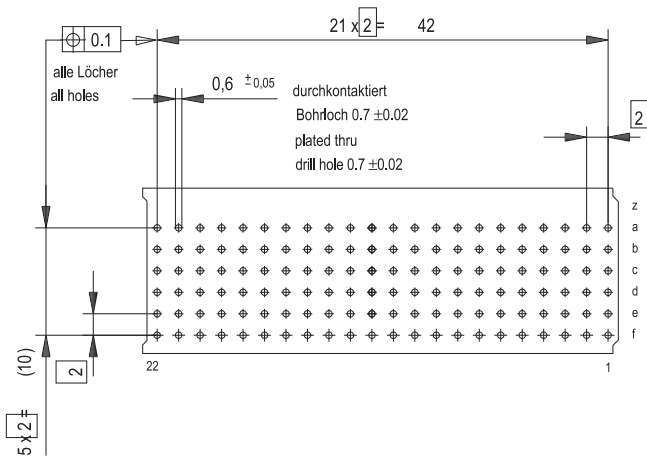


Bestueckungsplan - contact layout



Lochbild fuer Leiterplatte (Bestueckungsseite)

Board hole pattern (Component mounting side)



Fehlende Maße und Angaben nach IEC 61076-4-101

Missing information and dimensions per IEC 61076-4-101

Information: P2,R1

Level 1, 2, 3
 siehe Bestueckungsplan /
 see contact layout

All rights reserved.
 Only for information.
 To insure that this is the latest
 version of this drawing, please
 contact one of the ERNI companies
 before using.
 Subject to modification without
 prior notice.
 Drawing will not be updated.

Tolerances



Scale 2:1

Designation

ERmet Messerleiste B 22
 ERmet Male Wide Type B 22

923339

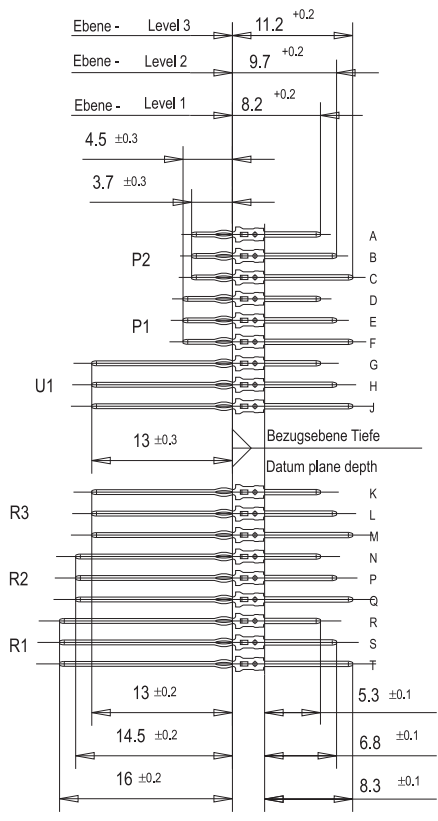
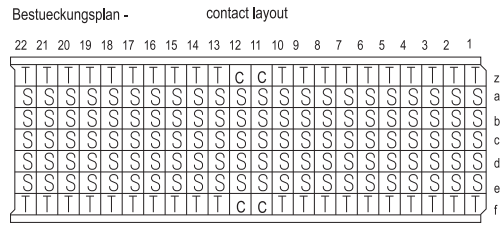
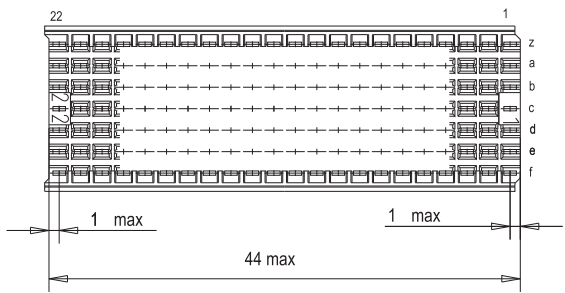
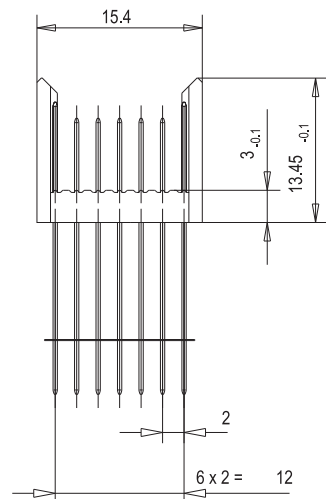
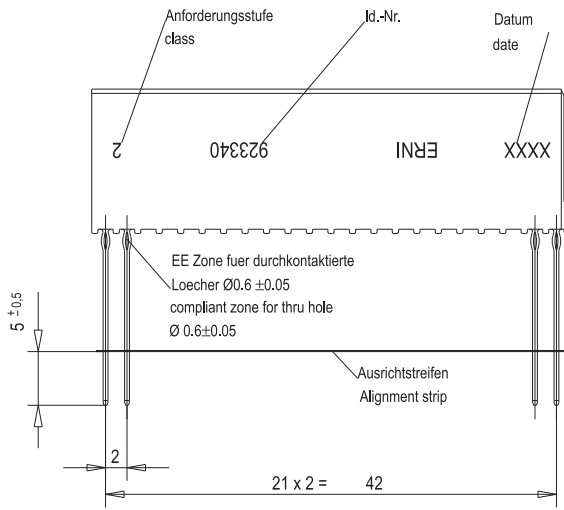
I

ERNI

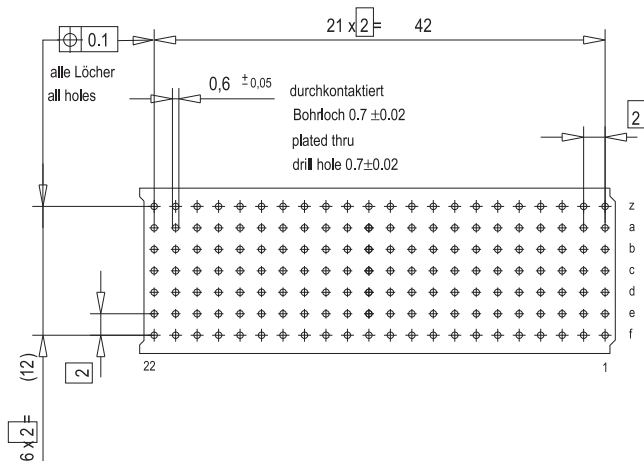
Elektroapparate GmbH
 D-73099 ADELBERG

N:00007502.ZTL

Consider protection memo from DIN 34



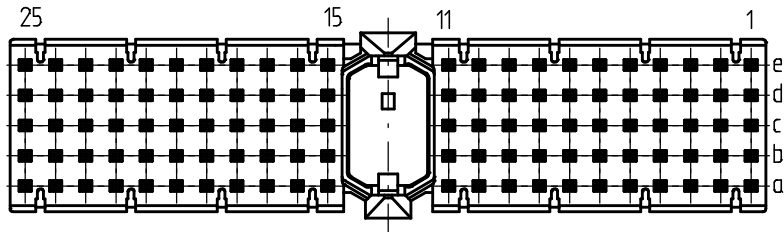
Lochbild fuer Leiterplatte (Bestueckungsseite) Board hole pattern (Component mounting side)



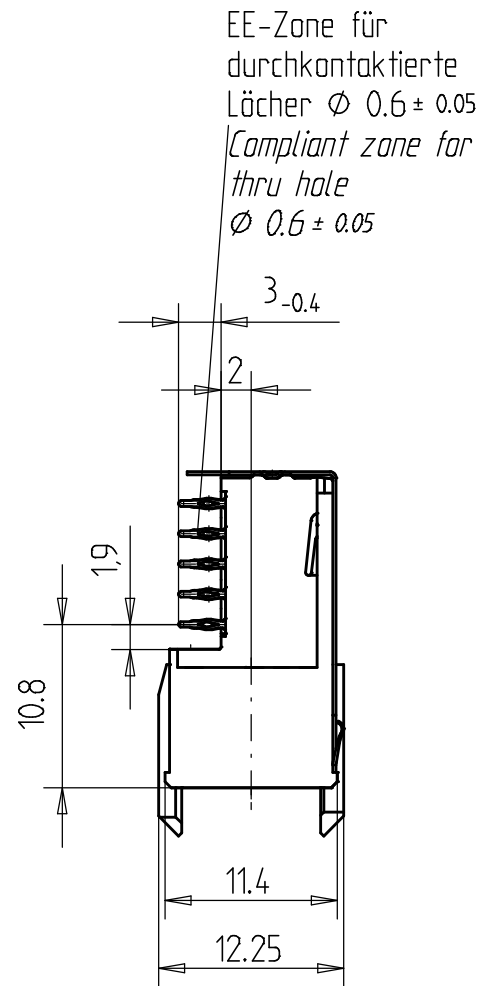
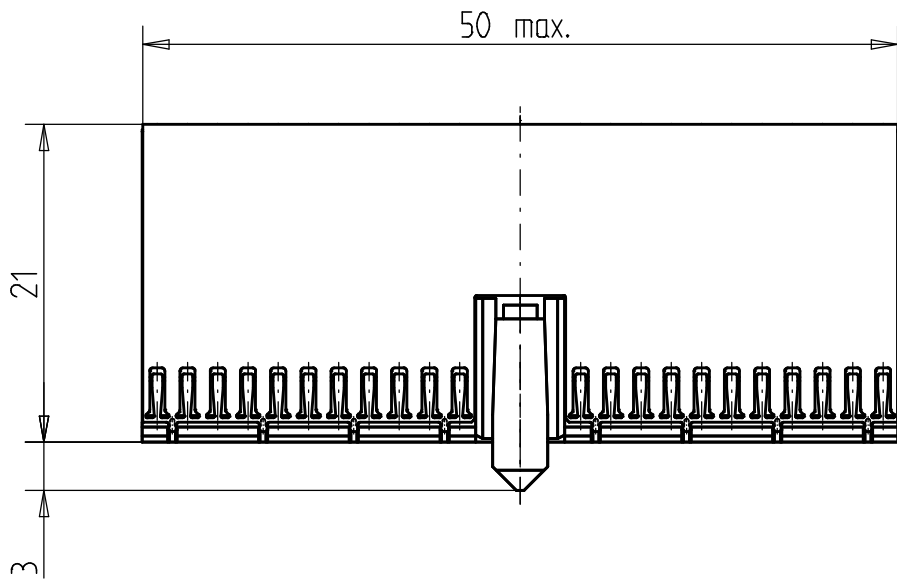
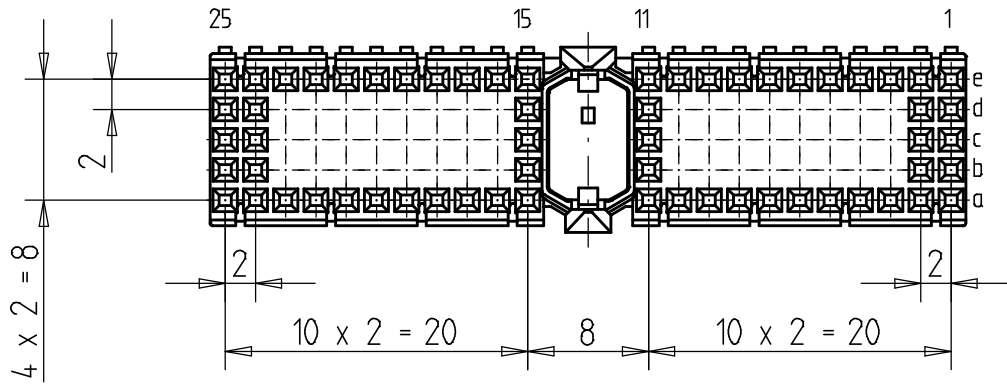
Fehlende Maße und Angaben nach IEC 61076-4-101
Missing information and dimensions per IEC 61076-4-101

| | | | |
|---|--|---|-----|
| Information: P2,R1 Level 2,3 siehe Bestueckungsplan / see contact layout | Tolerances All Dimensions in mm | Scale | 2:1 |
| | | Designation ERmet Messerleiste B 22 ERmet Male Wide Type B 22 | |
| All rights reserved. Only for information. To insure that this is the latest version of this drawing, please contact one of the ERNI companies before using. Subject to modification without prior notice. Drawing will not be updated. | Elektroapparate GmbH D-73099 ADELBERG N:00007504.ZTL | 923340 | |
| | | I | |

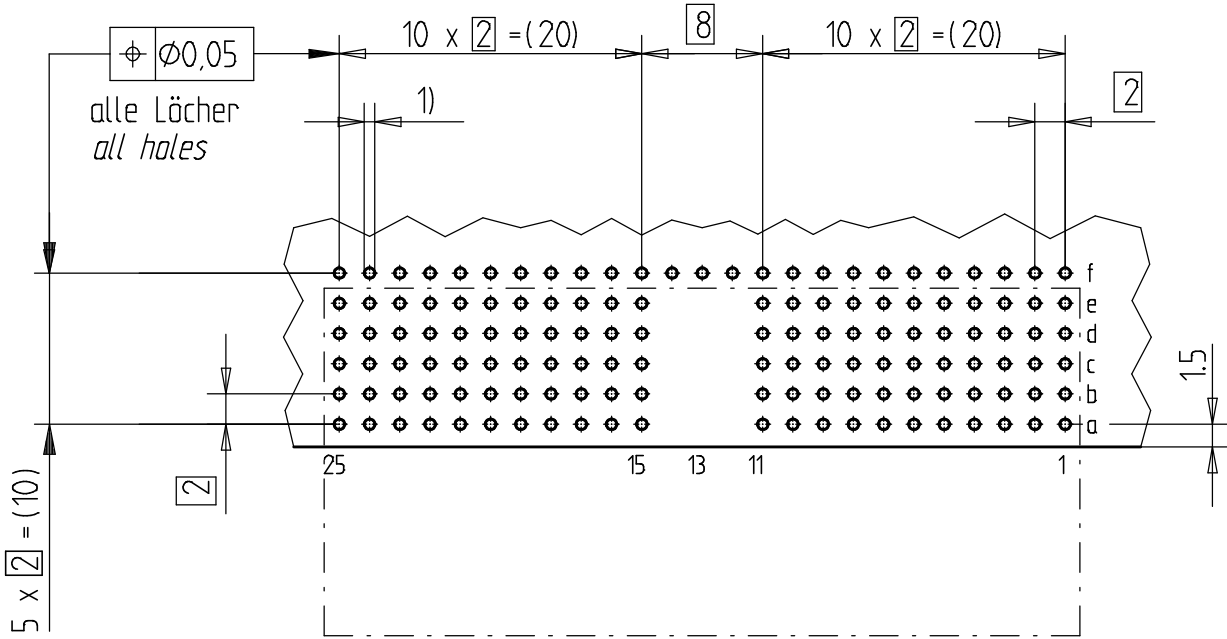
Bestückungsplan - *contact layout*



■ = bestückt - *assemble*



Lochbild für Leiterplatte *Board hole pattern*
 (Bestückungsseite) *(Component mounting side)*



- 1) $\varnothing 0.6 \pm 0.05$ Durchmesser des metallisierten Loches
 $\varnothing 0.6 \pm 0.05$ Diameter of finished plated-through hole
- $\varnothing 0.7 \pm 0.02$ Bohrungsdurchmesser des Loches
 $\varnothing 0.7 \pm 0.02$ Diameter of drilled hole

Schichtaufbau im metallisierten Loch
 siehe Zeichnung 114406

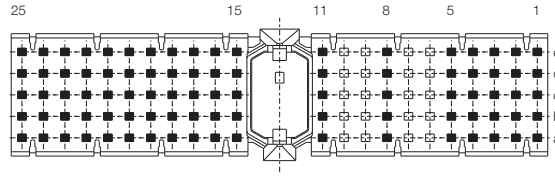
*Metal plating of plated-through hole
 see drawing 114406*

Fehlende Masse und Angaben nach IEC 61076-4-101
 Missing information and dimensions per IEC 61076-4-101

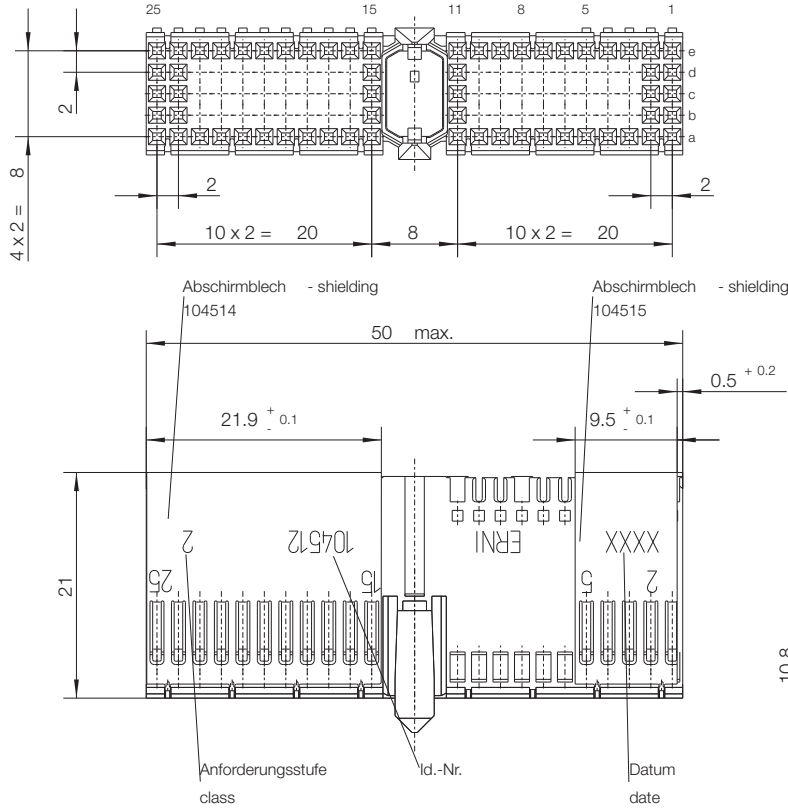
Bedruckung siehe Zeichnung 401194
 Marking see drawing 401194

| | | | | |
|---|--|----------------|---|-----|
| Information: ohne Fixierstift - <i>without locating pegs</i> Abschirmblech oben montiert <i>shielding mounted on top</i> BA 2 | Tolerances | | Scale | 2:1 |
| | All rights reserved. Only for information. To insure that this is the latest version of this drawing, please contact one of the ERNI companies before using. | | Designation ERmet Federleiste A <i>ERmet Female Type A</i> | |
| Consider protection memo from DIN 34 | Subject to modification without prior notice. Drawing will not be updated. | | www.ERNI.com | |
| b Index | 01.06.2010 Date | N:00069807.SZA | 354142 ERMA | |

Bestueckungsplan - contact layout



□ = bestueckt - assemble

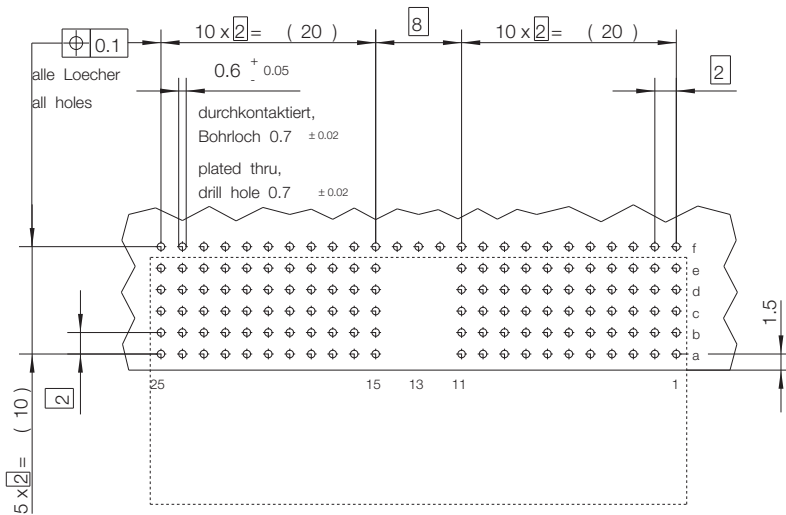


EE - Zone fuer durchkontaktierte
Loecher $\varnothing 0.6 \pm 0.05$

Compliant zone for thru hole
 $\varnothing 0.6 \pm 0.05$

Lochbild fuer Leiterplatte
(Bestueckungsseite)

Board hole pattern
(Component mounting side)



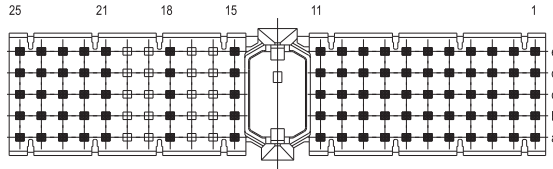
Fehlende Masse und Angaben nach IEC 61076 - 4 - 101

Missing information and dimensions per IEC 61076 - 4 - 10

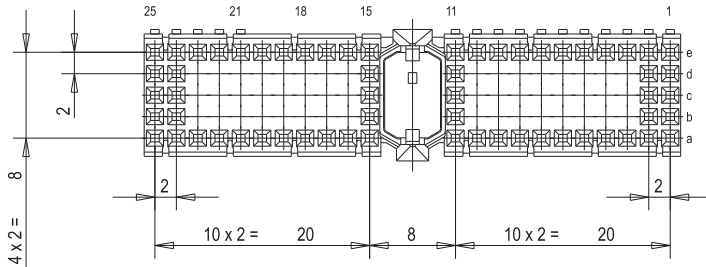
| | | | |
|---|---|---|----------------------|
| Information : Abschirmblech oben montiert shielding mounted on top ohne Fixierstift - without locating pegs All rights reserved. Only for information. To insure that this is the latest version of this drawing, please contact one of the ERNI companies before using. Subject to modification without prior notice. Drawing will not be updated. | Tolerances ALL Dimensions in mm | Scale 2:1 | Material Material |
| | | Designation ERmet Federleiste A ERmet Female Type A | |
| ERNI Elektroapparate GmbH D-73099 ADELBERG | | 104512 | |

Consider protection memo from DIN 34

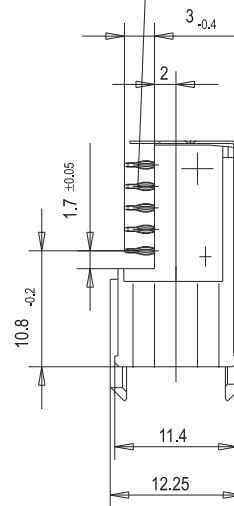
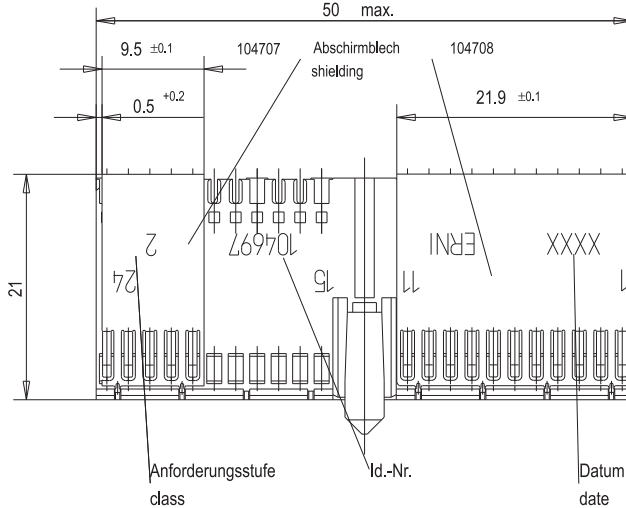
Bestückungsplan - contact layout



■ = bestückt - assemble

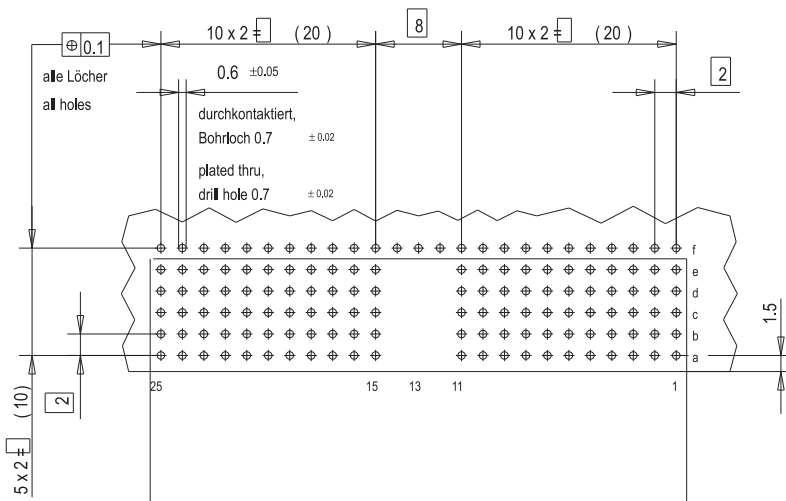


EE-Zone für durchkontaktierte Löcher Ø 0.6 ± 0.05
Compliant zone for thru hole Ø 0.6 ± 0.05



Lochbild für Leiterplatte (Bestückungsseite)

Board hole pattern (Component mounting side)

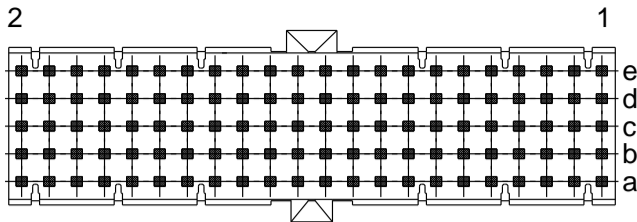


Fehlende Masse und Angaben nach IEC 61076-4-101
Missing information and dimensions per IEC 61076-4-101

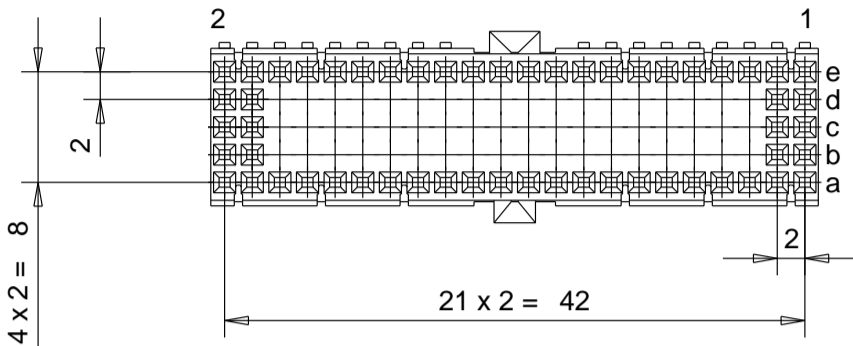
| | | | |
|--|--|---|-----|
| <p>Information : Abschirmblech oben montiert shielding mounted on top ohne Fixierstift - without locating pegs</p> | <p>Tolerances</p> <p>All Dimensions in mm</p> | Scale | 2:1 |
| | | <p>Designation</p> <p>ERmet Federleiste A ERmet Female Type A</p> | |
| <p>All rights reserved. Only for information. To insure that this is the latest version of this drawing, please contact one of the ERNI companies before using. Subject to modification without prior notice. Drawing will not be updated.</p> | <p>Elektroapparate GmbH D-73099 ADELBERG</p> | <p>104697</p> | |
| | | <p>N:00007600.ZTL</p> | |

Consider protection memo from DIN 34

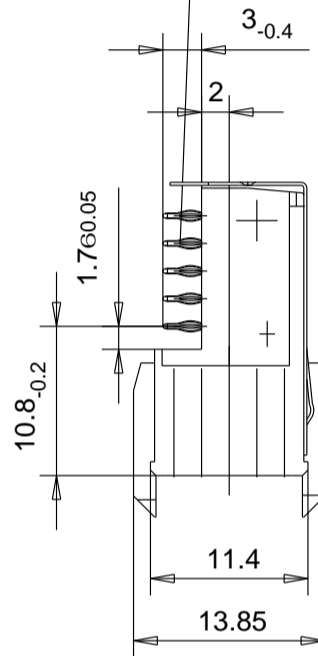
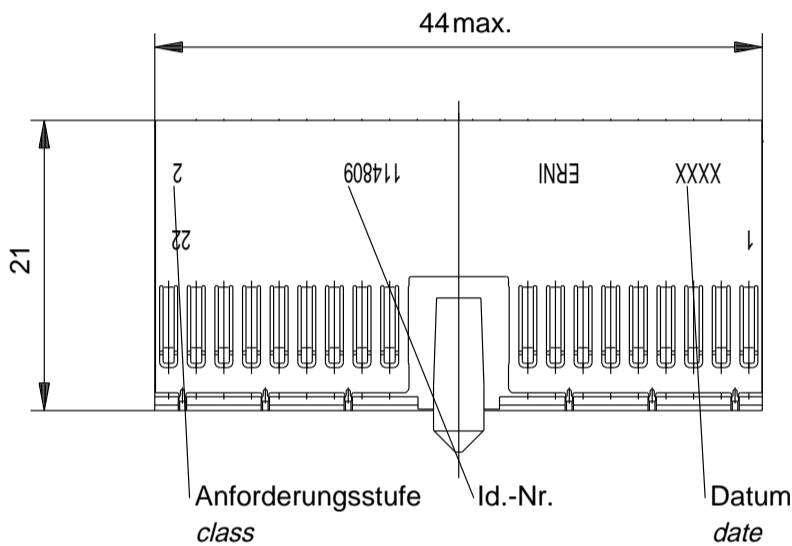
Bestückungsplan - contact layout



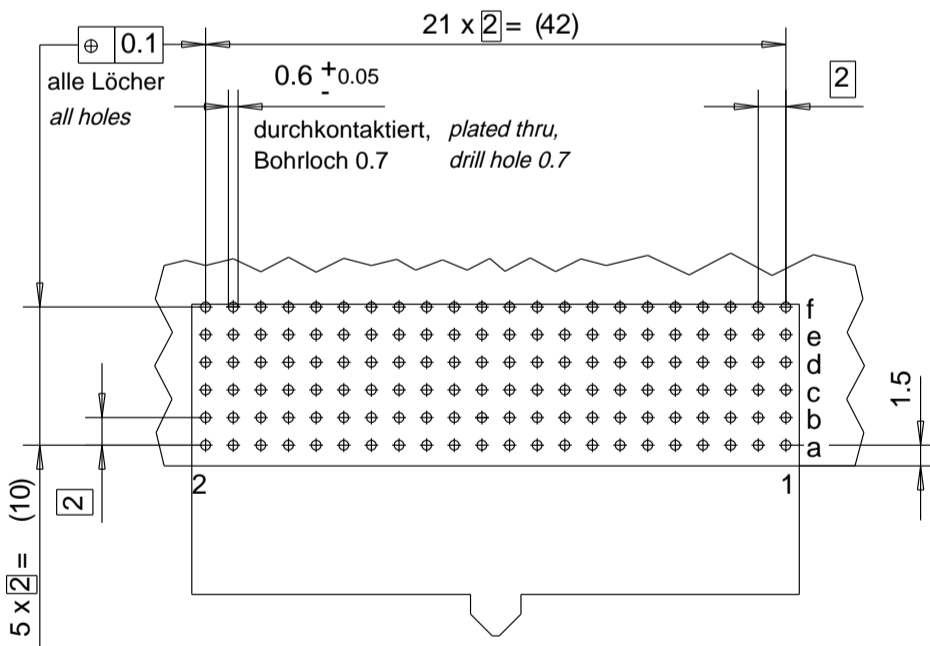
■ = bestückt - assemble



EE-Zone für durchkontaktierte Löcher [0.6 \pm 0.05
Compliant zone for thru hole [0.6 \pm 0.05



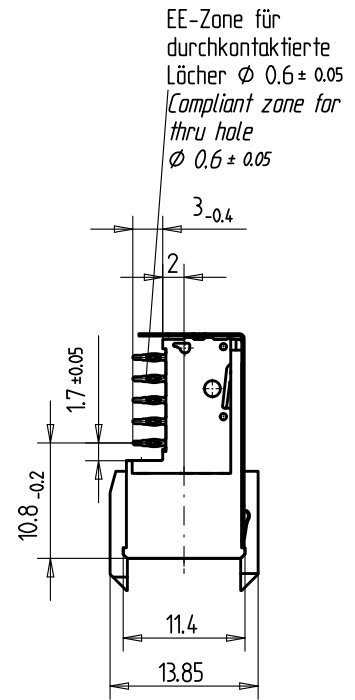
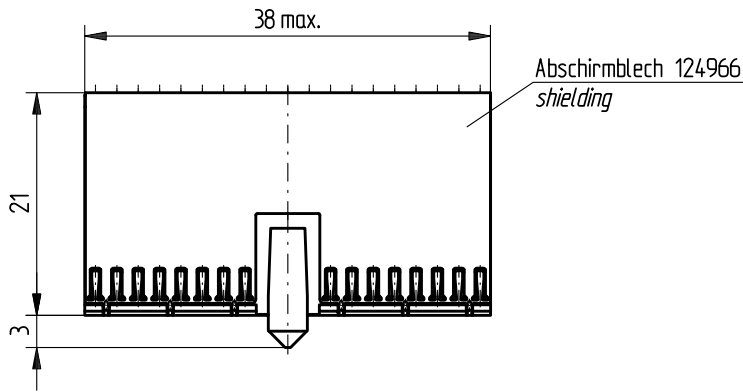
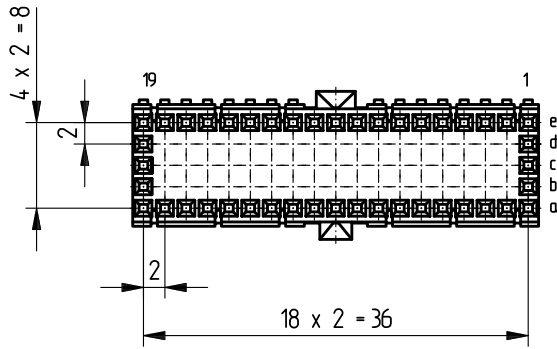
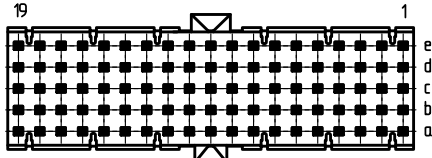
Lochbild für Leiterplatte Board hole pattern (Bestückungsseite) (Component mounting side)



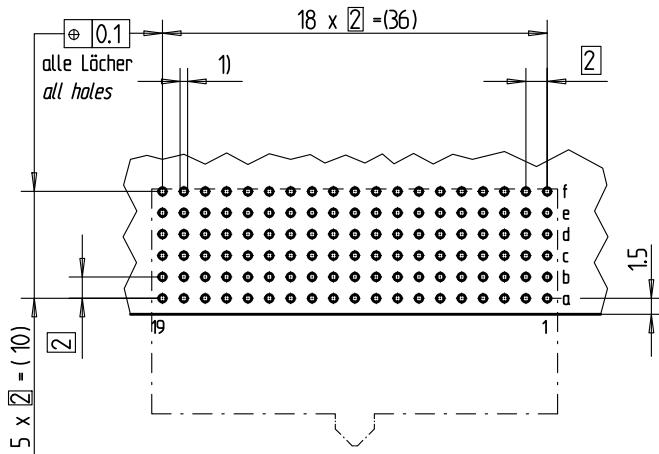
Fehlende Masse und Angaben nach IEC 61076-4-101
Missing information and dimensions per IEC 61076-4-101

| | | | |
|--|----------|----------------------------|---|
| Information : Abschirmblech oben shielding mounted on top | Toleranc | | Scal 2:1 |
| All rights Only for To insure that this is the version of this drawing, contact one of the ERNI before Subject to modification prior Drawing will not be | | Elektroapparate D-73099 | Designation ERmet Federleiste AB 22 ERmet Female Type AB 22 |
| | | | 114809 |
| | | | I |

Bestückungsplan - *contact layout*



Lochbild für Leiterplatte *Board hole pattern*
(Bestückungsseite) *(Component mounting side)*



- 1) $\varnothing 0.6 \pm 0.05$ Durchmesser des metallisierten Loches
 $\varnothing 0.6 \pm 0.05$ Diameter of finished plated-through hole
- $\varnothing 0.7 \pm 0.02$ Bohrungsdurchmesser des Loches
 $\varnothing 0.7 \pm 0.02$ Diameter of drilled hole

Schichtaufbau im metallisierten Loch
siehe Zeichnung 114406

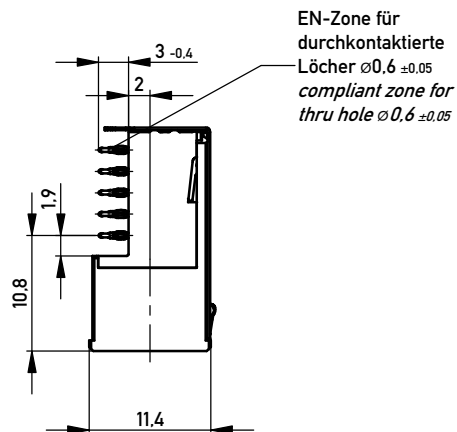
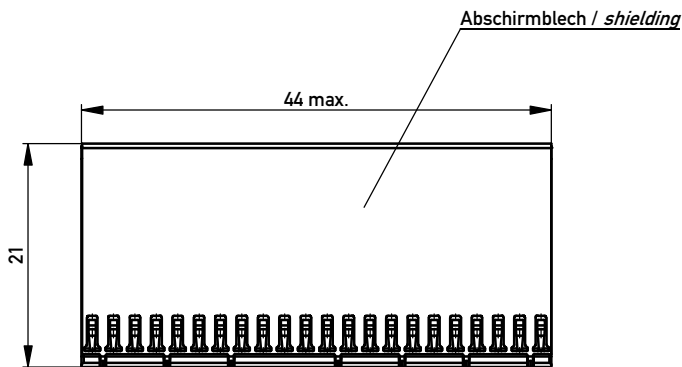
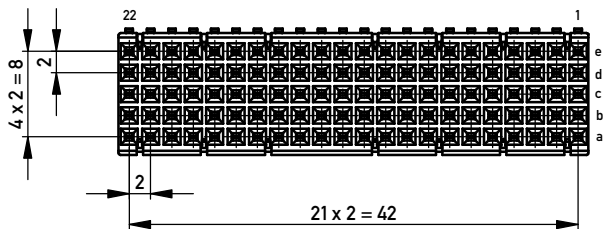
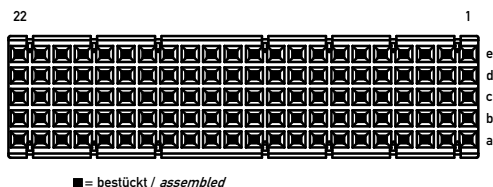
*Metal plating of plated-through hole
see drawing 114406*

Fehlende Masse und Angaben nach IEC 61076-4-101
Missing information and dimensions per IEC 61076-4-101

Bedruckung siehe Zeichnung 401194
Marking see drawing 401194

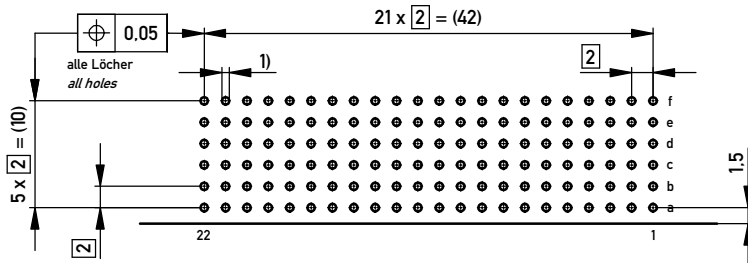
| | | | |
|--------------------------------------|--|---|---|
| Consider protection memo from DIN 34 | Information: Abschirmblech oben montiert <i>shielding mounted on top</i> | Tolerances All Dimensions in mm | Scale 2:1 |
| | All rights reserved. Only for information. To insure that this is the latest version of this drawing, please contact one of the ERNI companies before using. | Subject to modification without prior notice. Drawing will not be updated. | Designation ERmet Federleiste AB 19 <i>ERmet Female Type AB 19</i> |
| c Index | 20.02.2008 Date | www.ERNI.com | 134075 ERMA19 |

Bestückungsplan / contact layout



Lochbild für Leiterplatte
(Bestückungsseite)

Board hole pattern
(Component mounting side)



1) $\varnothing 0.6 \pm 0.05$ Durchmesser des metallisierten Loches
 $\varnothing 0.6 \pm 0.05$ Diameter of finished plated-through hole

$\varnothing 0.7 \pm 0.05$ Bohrungsdurchmesser des Loches
 $\varnothing 0.7 \pm 0.05$ Diameter of drilled hole

Schichtaufbau im metallisierten Loch
siehe Zeichnung 114406
Metal plating of plated through hole
see drawing 114406

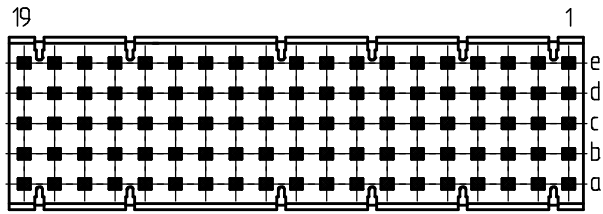
Fehlende Maße und Angaben nach IEC 61076-4-101
Missing information and dimensions per IEC 61076-4-101

Abschirmblech oben montiert
shielding mounted on top
Anforderungsstufe 2 / class 2
BA2

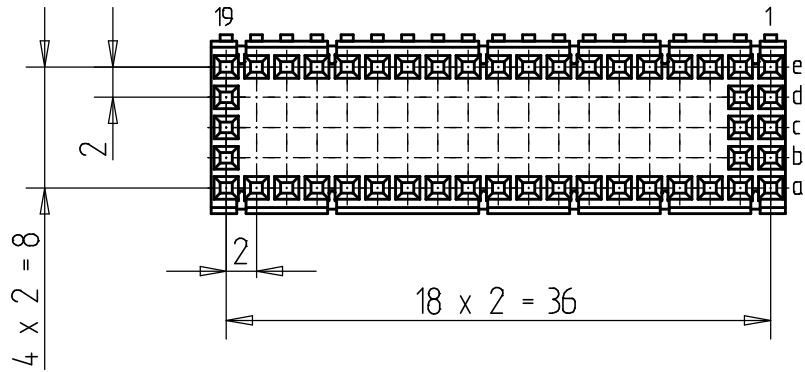
| | | | | | |
|--|------------|----------------------|--|--|-----|
| Information: | | Tolerances | | Scale | 2:1 |
| All rights reserved. Only for Information. To ensure that this is the latest version of this drawing, please contact one of the ERNI companies before using. | | All Dimensions in mm | | Designation | |
| Subject to modification without prior notice. Drawing will not be updated. | | | | ERmet Federleiste B22 ERmet Female Type B22 | |
| www.ERNI.com | | 354148 | | I A3 | |
| b | 25.06.2012 | Class | | ERMB22 | |
| Index | Date | | | | |

Copyright by ERNI GmbH
Proprietary notice pursuant to ISO 16063 to be observed

Bestückungsplan - *contact layout*

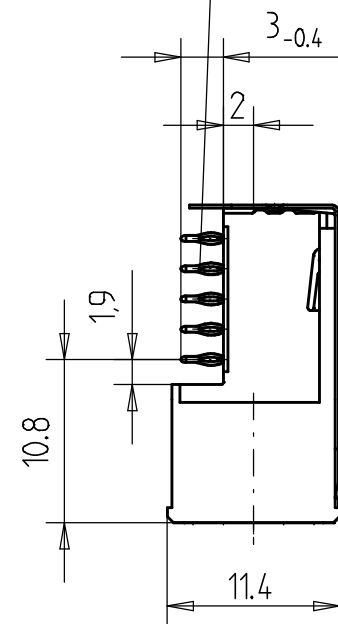
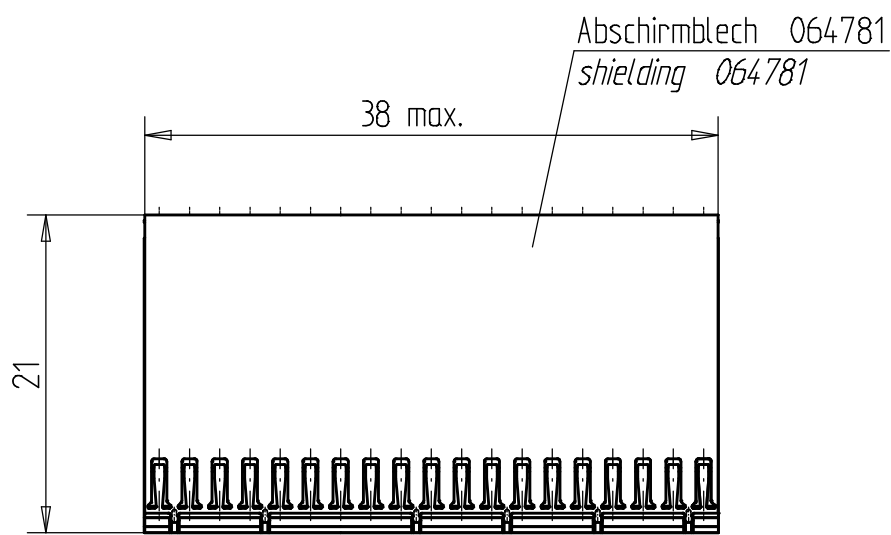


■ = bestückt - *assemble*



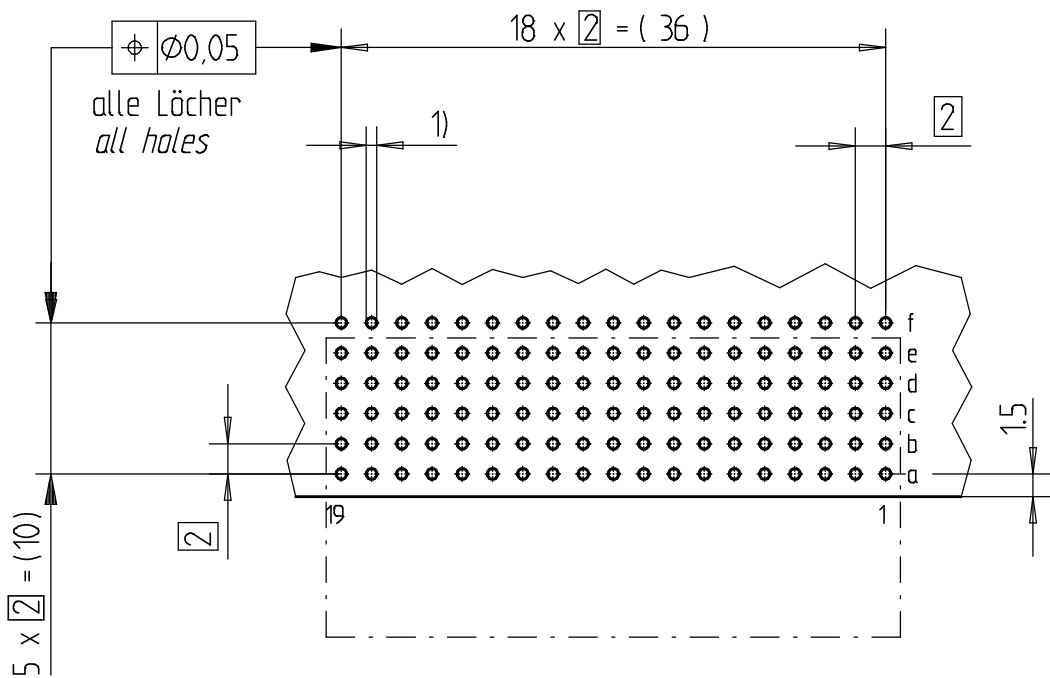
EE-Zone für durchkontaktierte Löcher $\Phi 0.6 \pm 0.05$

Compliant zone for thru hole $\Phi 0.6 \pm 0.05$



Lochbild für Leiterplatte
(Bestückungsseite)

Board hole pattern
(Component mounting side)



- 1) $\Phi 0.6 \pm 0.05$ Durchmesser des metallisierten Loches
 $\Phi 0.6 \pm 0.05$ Diameter of finished plated-through hole
- $\Phi 0.7 \pm 0.02$ Bohrungsdurchmesser des Loches
 $\Phi 0.7 \pm 0.02$ Diameter of drilled hole

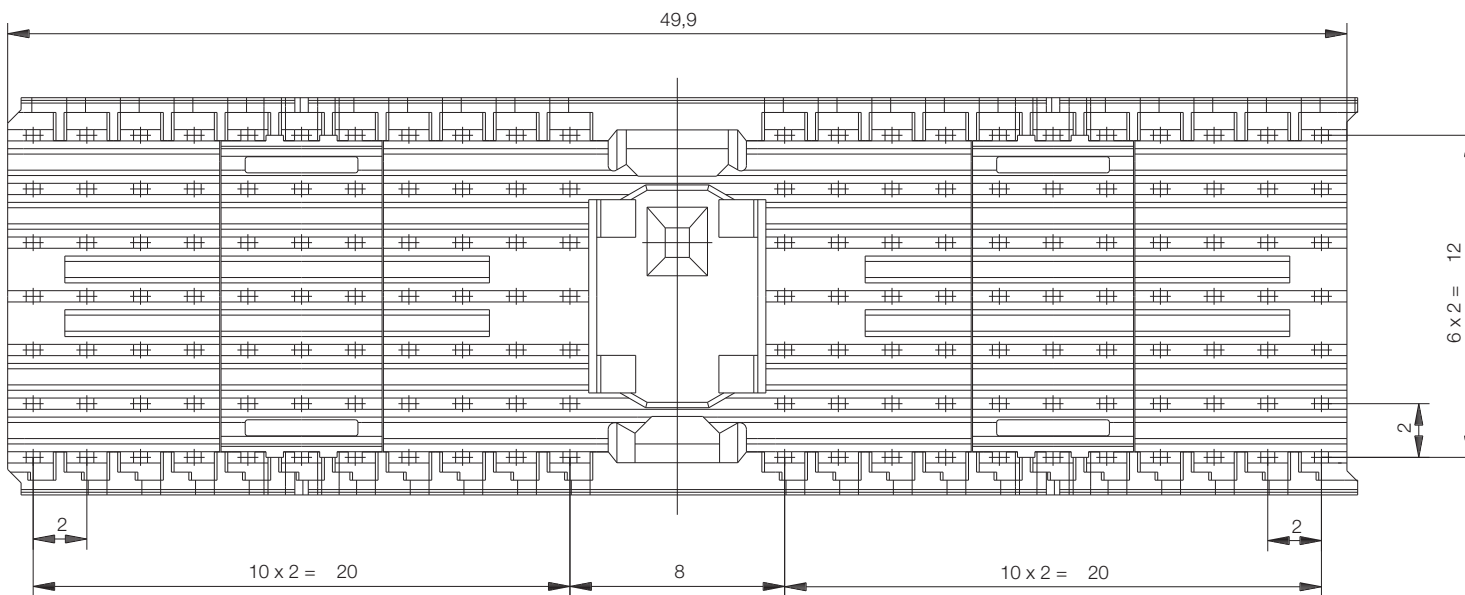
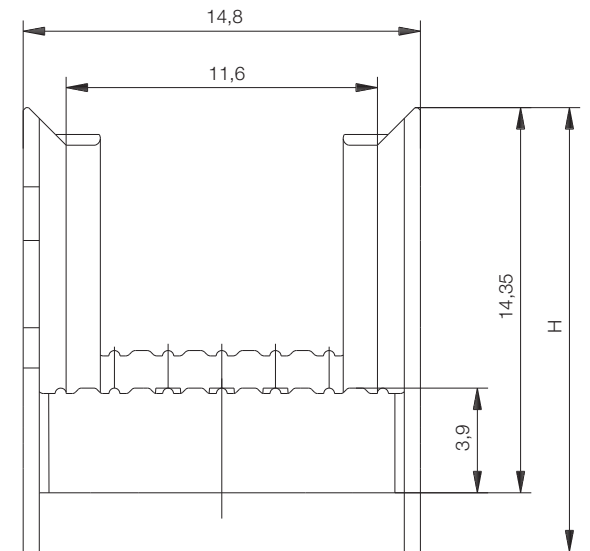
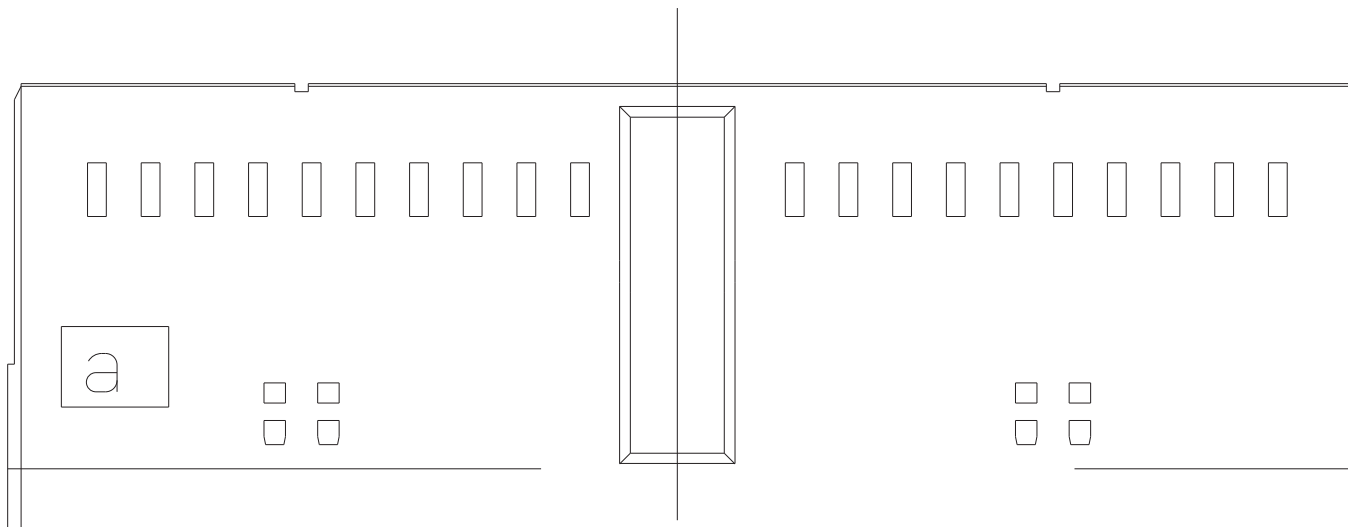
Schichtaufbau im metallisierten Loch
siehe Zeichnung 114406

Metal plating of plated-through hole
see drawing 114406

Fehlende Masse und Angaben nach IEC 61076-4-101
Missing information and dimensions per IEC 61076-4-101

Bedruckung siehe Zeichnung 401194
Marking see drawing 401194

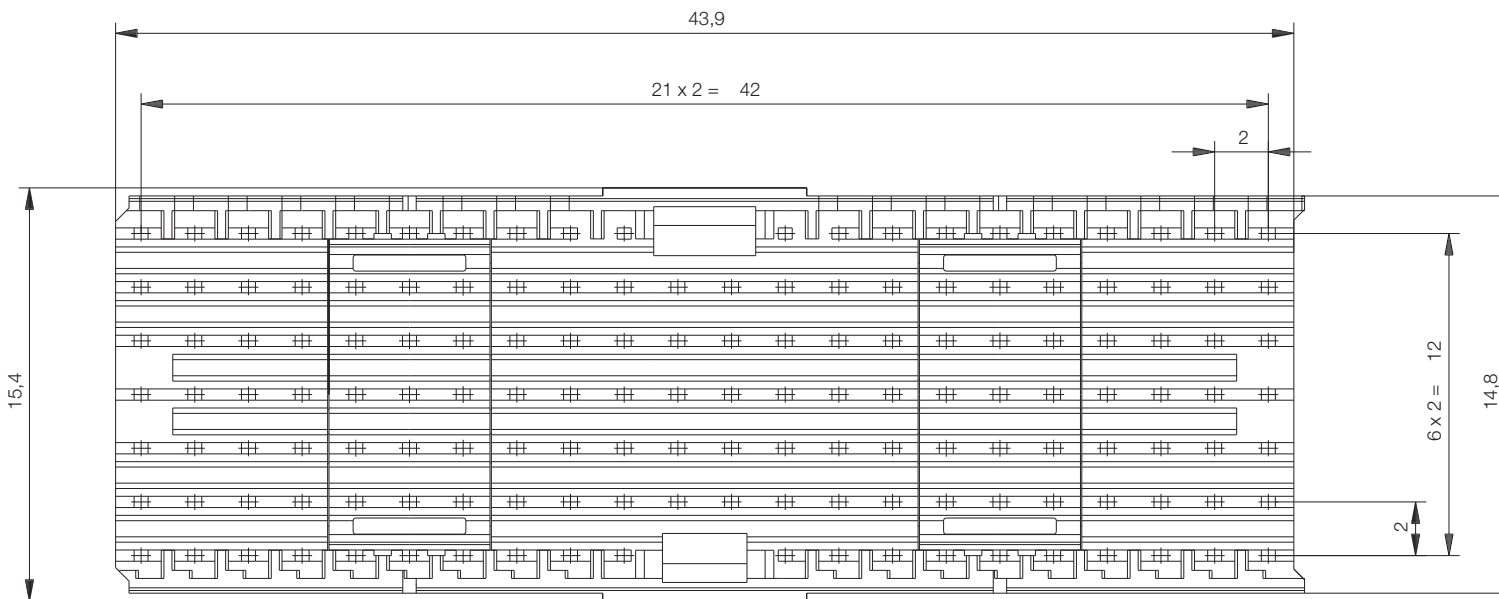
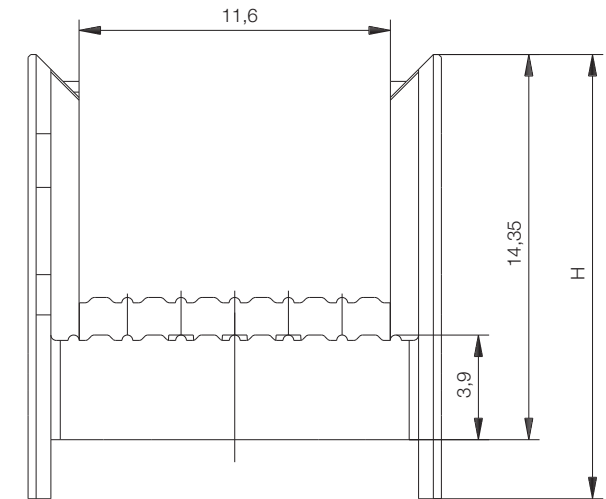
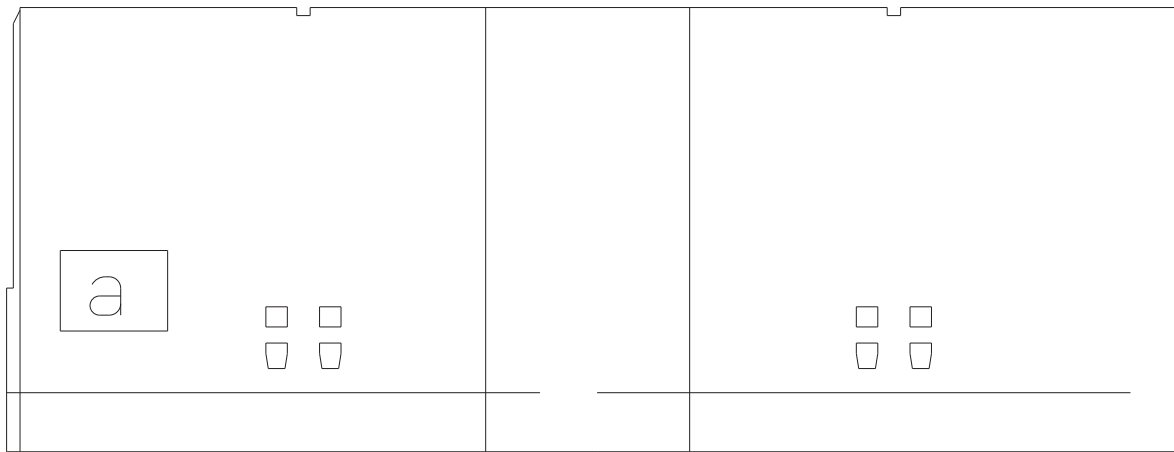
| | | | | | | |
|--------------------------------------|---|----------------|--|--------------|-------------|--------|
| Consider protection memo from DIN 34 | Information: Abschirmblech oben montiert / shielding mounted on top BA 2 | | Tolerances | | Scale | 2:1 |
| | All rights reserved. Only for information. To insure that this is the latest version of this drawing, please contact one of the ERNI companies before using. | | Subject to modification without prior notice. Drawing will not be updated. | | Designation | |
| | | | | www.ERNI.com | | 354146 |
| b | 02.06.2010 | M:00069847.SZA | | ERMB19 | | 1 |
| Index | Date | | | | | |





| | |
|--------------------------|-----------------------|
| 054793 | 16.55 |
| 054794 | 15.75 |
| 054795 | 14.95 |
| 114436 | 14.35 |
| Ident-Nr. I.D. number | Mass H dimension H |

| | | | | | | | |
|---|--|------------------|------|--|---------------|-----------|-----------|
| Dimension Nr. | | Tolerances | | All Dimensions in mm | | Scale 5:1 | Tool-Nr.: |
| All rights reserved. Only for information. To insure that this is the latest version of this drawing, please contact one of the ERNI companies before using. Subject to modification without prior notice. Drawing will not be updated. | | Date | Name | Material siehe Einzelteile see pieceparts | | | |
| Elektroapparate GmbH D-73099 ADELBERG | | | | Designation ERmet A Übergaber. m. Klemmst ERmet A Shroud with clamp part | | | |
| Index | | Modification Nr. | Date | Name | 0:0010255.SZN | | Class |
| | | | | | | 054792 | |
| | | | | | | D | |

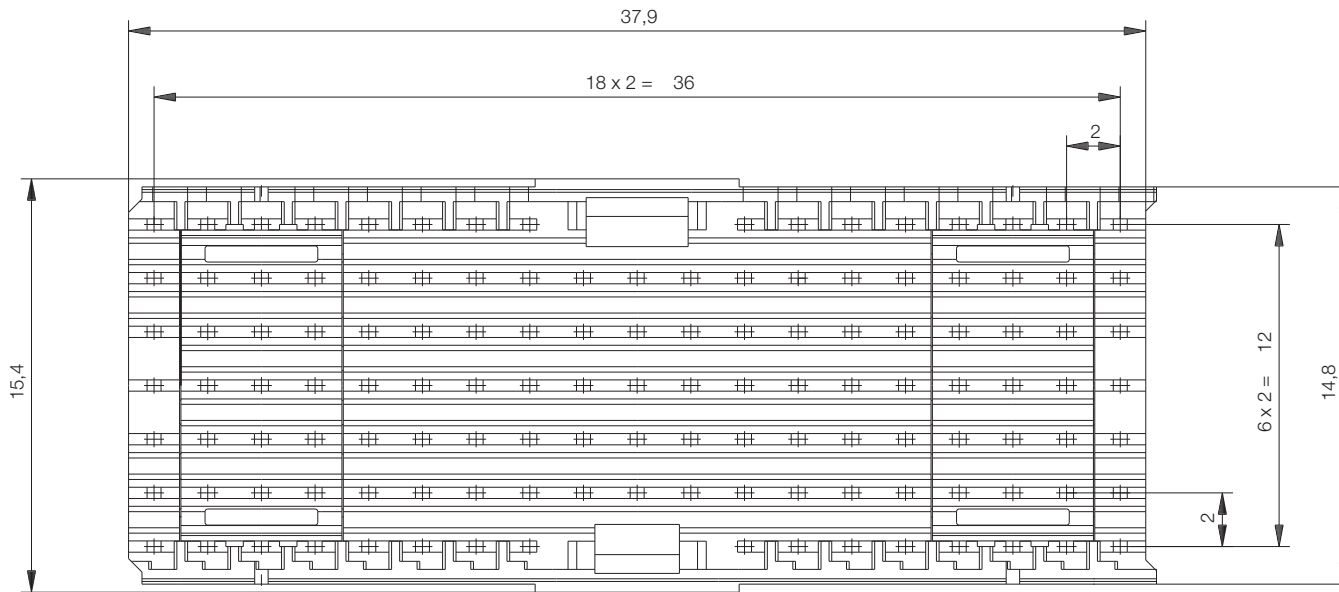
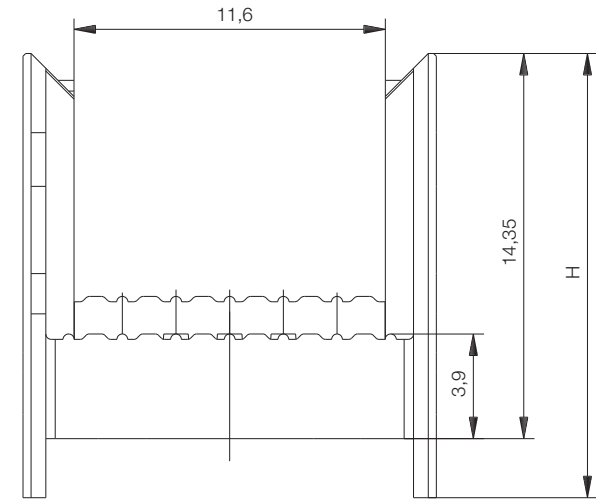
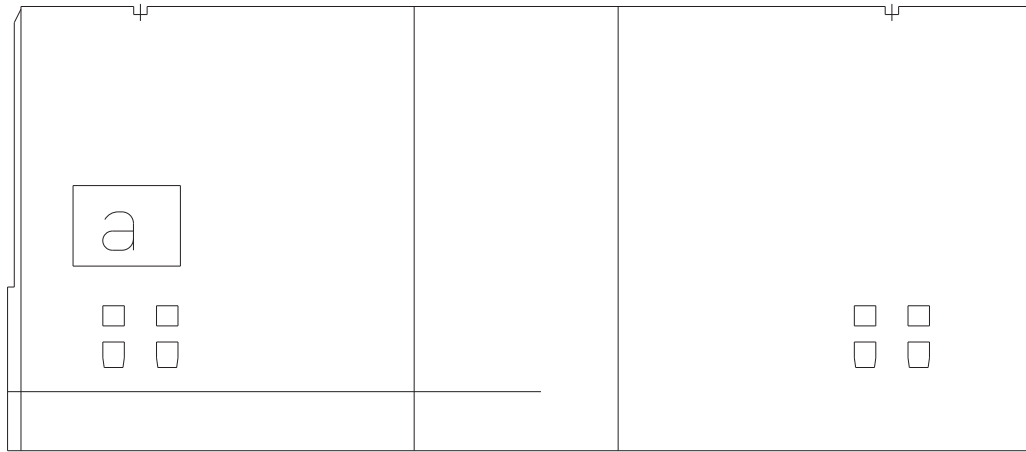
Consider protection memo from DIN 34.



| | |
|-------------------------|-----------------------|
| 114428 | 16.55 |
| 114427 | 15.75 |
| 114426 | 14.95 |
| 114425 | 14.35 |
| Ident-Nr. I.D.number | Maß H dimensions H |

| | | | | | | | | |
|---|--|---|--|--|--|-------------------------------------|--|------|
| Dimension Nr. | | Tolerances | | Scale 5:1 | | Tool-Nr.: | | |
| All rights reserved. Only for information. To insure that this is the latest version of this drawing, please contact one of the ERNI companies before using. Subject to modification without prior notice. Drawing will not be updated. | |  All Dimensions in mm | | Material | | siehe Einzelteile see pieceparts | | |
| | | | | Date | | Name | | |
|  Elektroapparate GmbH D-73099 ADELBERG | | Designation | | ERmet AB 22 Überga. m. Klemmst. ERmet AB 22 Shroud with clamp | | | | |
| | | Index | | Modification Nr. | | Date | | Name |
| O:00010299.SZN | | Class | | 114429 | | | | D |

Consider protection memo from DN 34



| | |
|-------------------------|-----------------------|
| 114490 | 16.55 |
| 114489 | 15.75 |
| 114488 | 14.95 |
| 114487 | 14.35 |
| Ident-Nr. I.D.number | Maß H dimensions H |

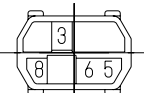
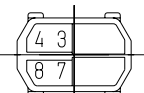
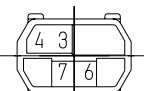
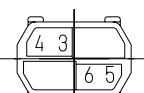
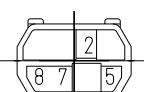
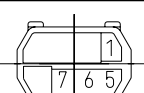
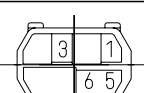
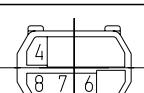
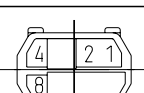
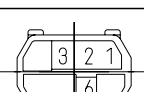
| | | | | | | | |
|---|--|--------------------------|--|--|--|-------------------------------------|--|
| Dimension Nr. | | Tolerances | | Scale 5:1 | | Tool-Nr.: | |
| All rights reserved. Only for information. To insure that this is the latest version of this drawing, please contact one of the ERNI companies before using. Subject to modification without prior notice. Drawing will not be updated. | | All Dimensions in mm | | Material | | siehe Einzelteile see pieceparts | |
| | | | | Date | | Name | |
| Elektroapparate GmbH D-73099 ADELBERG | | Designation | | ERmet AB 19 Überg. m. Klemmst. ERmet AB 19 Shroud with clamp. | | | |
| | | Index | | Modification Nr. | | Date | |
| O:00010296.SZN | | Class | | 114486 | | D | |

Consider protection memo from DIN 04.

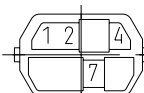
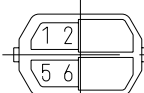
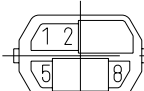
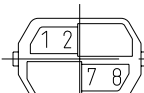
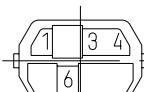
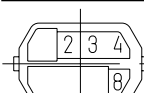
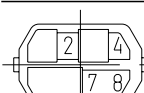
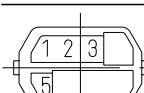
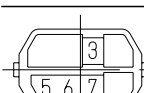
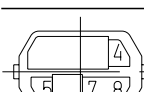
Coding Keys

Ordering Information

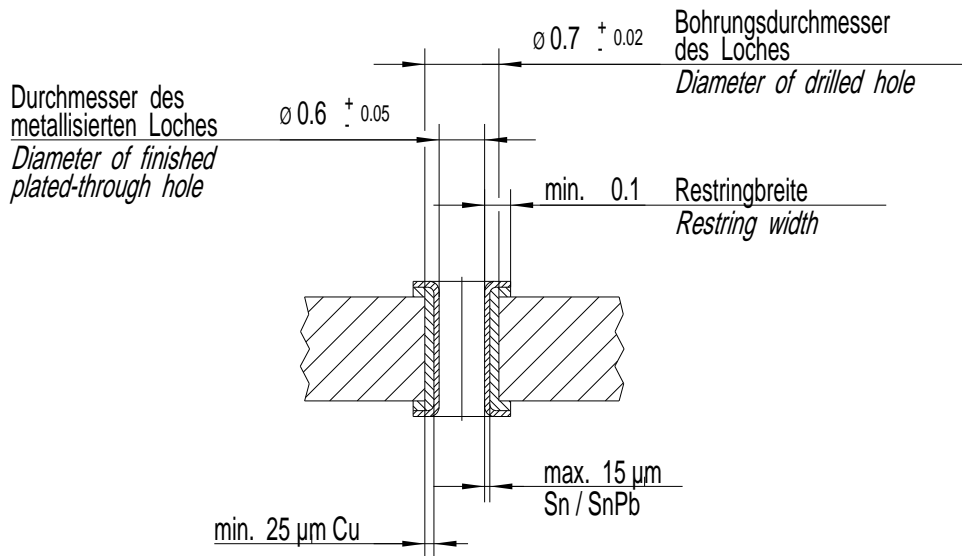
Coding keys for male connectors and shrouds

| Coding Key | Code No. | Colour | Part Number |
|---|----------|---|---------------|
|  | 3568 | Pastel Orange RAL 2003 Fincke 00233197 | 043342 |
|  | 3478 | Steel Blue RAL 5011 Fincke 00251197 | 043343 |
|  | 3467 | Slate Grey RAL 7015 Fincke 00235197 | 043344 |
|  | 3456 | Cadmium Yellow RAL 1021 Fincke 00252197 | 043345 |
|  | 2578 | Reseda Green RAL 6011 Fincke 00237197 | 043346 |
|  | 1567 | Brilliant Blue RAL 5007 Fincke 00245197 | 043347 |
|  | 1356 | Blue/Lilac RAL 4005 Fincke 00246197 | 043348 |
|  | 4678 | Ocher Yellow RAL 1024 Fincke 00313197 | 043349 |
|  | 1248 | Strawberry Red RAL 3018 Fincke 00312197 | 043350 |
|  | 1236 | Nut Brown RAL 8011 Fincke 00272197 | 043351 |

Coding keys for female connectors

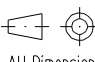

| Coding Key | Code No. | Colour | Part Number |
|---|----------|---|---------------|
|  | 1247 | Pastel Orange RAL 2003 Fincke 00233197 | 043332 |
|  | 1256 | Steel Blue RAL 5011 Fincke 00251197 | 043333 |
|  | 1258 | Slate Grey RAL 7015 Fincke 00235197 | 043334 |
|  | 1278 | Cadmium Yellow RAL 1021 Fincke 00252197 | 043335 |
|  | 1346 | Reseda Green RAL 6011 Fincke 00237197 | 043336 |
|  | 2348 | Brilliant Blue RAL 5007 Fincke 00245197 | 043337 |
|  | 2478 | Blue/Lilac RAL 4005 Fincke 00246197 | 043338 |
|  | 1235 | Ocher Yellow RAL 1024 Fincke 00313197 | 043339 |
|  | 3567 | Strawberry Red RAL 3018 Fincke 00312197 | 043340 |
|  | 4578 | Nut Brown RAL 8011 Fincke 00272197 | 043341 |
| | | Mounting Device For Coding-Keys | 053593 |

Schichtaufbau im metallisierten Loch fuer EE-Kontakt *Metal plating of plated-through hole for EE-contact*



fuer Einpresszone $D = 0.72$
 for press-fit zone $D = 0.72$

Consider protection memo from DIN 34

| | | | | |
|---|---|--|---------------|---|
| Dimension Nr. | Tolerances |  All Dimensions in mm | Scale 10:1 | |
| All rights reserved. Only for information. To insure that this is the latest version of this drawing, please contact one of the ERNI companies before using. Subject to modification without prior notice. Drawing will not be updated. | | | Material | |
| | | | Designation | Lochaufbau $D=0.6$ <i>Hole design $D=0.6$</i> |
| |  | Elektroapparate GmbH D-73099 ADELBERG | | 114406 |
| | | | Part Group | Part Type |