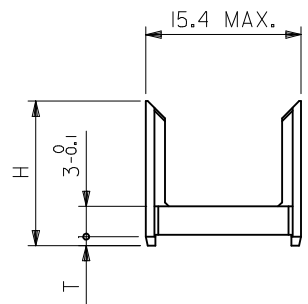
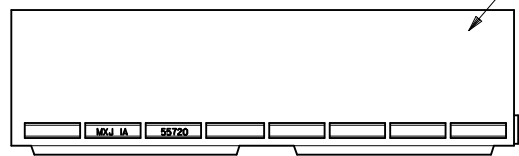
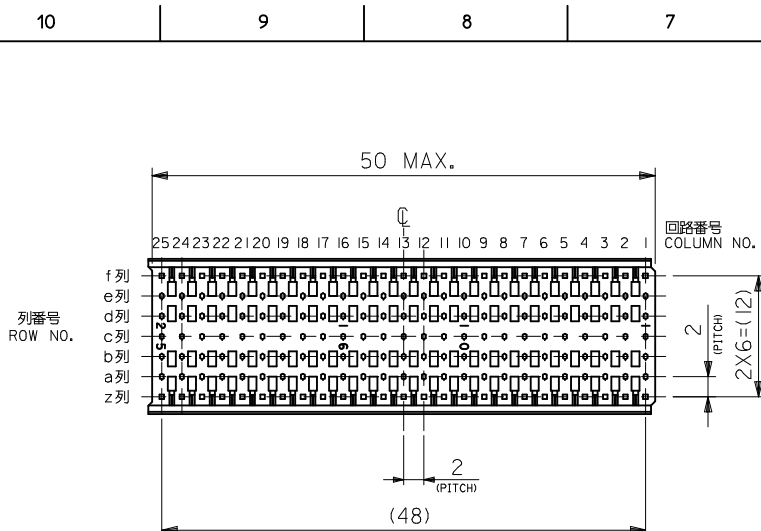


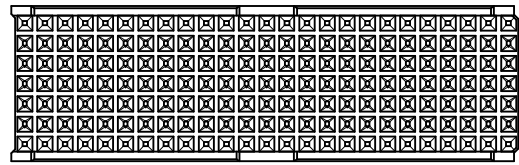
番号 NO.	部品 PART NAME	材質 MATERIAL	仕上げ FINISH
①	シュラウド SHROUD	液晶ポリマー、ミネラル強化、自然色(白)、UL94V-0 LCP, MINERAL-REFINFORCED, NATURAL(WHITE), UL94V-0	—#—

CONFIDENTIAL



注記
NOTE

1. ELV and RoHS Compliant



15.35	1.9	2.6 ~ 5.6	55720-1256	125
15.15	1.7	2.8 ~ 5.6	55720-1255	125
14.95	1.5	3.0 ~ 5.6	55720-1254	125
14.75	1.3	3.2 ~ 5.6	55720-1253	125
14.55	1.1	3.4 ~ 5.6	55720-1252	125
14.35	0.9	3.6 ~ 5.6	55720-1251	125
13.45	0	4.5 ~ 5.6	55720-1250	125
H	T	推奨基板厚 (mm) RECOMMENDED PCB THICKNESS	MATERIAL NO.	極数 PIN

REVISED EC NO.: J2012-1509 2012/06/26 DRWN:AIDA CHKD:AMIZUMURA 2012/06/26 APPR:MYAGI 2012/07/03	DESCRIPTION	GENERAL TOLERANCES (UNLESS SPECIFIED)		DIMENSION STYLE MM ONLY		SCALE 2:1	DESIGN UNITS METRIC	THIRD ANGLE PROJECTION
		10 UNDER	±0.20	DRAWN BY SANDO	DATE 2000/10/25	TITLE MZP B/B CONN. SHROUD TYPE B HIGH RETENTION FORCE		
		10 OVER 30 UNDER	±0.25	CHECKED BY ANODA	DATE 2000/10/25	molex		
		30 OVER	±0.30	APPROVED BY	DATE			
ANGULAR	±3 °	MATERIAL NO. SEE CHART		DOCUMENT NO. SD-55720-002	SHEET NO. 1 OF 1			
		DRAFT WHERE APPLICABLE MUST REMAIN WITHIN DIMENSIONS		THIS DRAWING CONTAINS INFORMATION THAT IS PROPRIETARY TO MOLEX INCORPORATED AND SHOULD NOT BE USED WITHOUT WRITTEN PERMISSION				