

PLEASE CHECK WWW.MOLEX.COM FOR LATEST PART INFORMATION

Part Number: [0677818001](#)
Status: **Active**
Description: 2.50mm Pitch, SDIO Memory Card Connector, Normal-Mount, SMT, Unshielded, with Card Detect and Write Protect Switch, Lead-Free

Documents:

[3D Model](#) [Product Specification PS-67781-001 \(PDF\)](#)
[Drawing \(PDF\)](#) [RoHS Certificate of Compliance \(PDF\)](#)

General

Product Family	Memory Card Sockets
Series	67781
Component Type	Card Holder (Host)
Product Name	SDIO
Style	Guide and Holder
Type	N/A
UPC	822348871322

Physical

Card Detection Switch	Yes
Circuits (Loaded)	9
Circuits (maximum)	9
Durability (mating cycles max)	10,000
Ejector Button	No
Ejector Button Side	N/A
Entry Angle	90° Angle
Keying to Mating Part	N/A
Net Weight	0.984/g
PCB Locator	No
PCB Mounting Side	Reverse
PCB Retention	Yes
Packaging Type	Embossed Tape on Reel
Pitch - Mating Interface	1.63mm, 2.50mm
Pitch - Termination Interface	1.63mm, 2.50mm
Ports	1
Surface Mount Compatible (SMC)	Yes
Temperature Range - Operating	-25°C to +85°C

Electrical

Current - Maximum per Contact	0.5A
Shielded	No
Voltage - Maximum	250V DC
Voltage Key	N/A

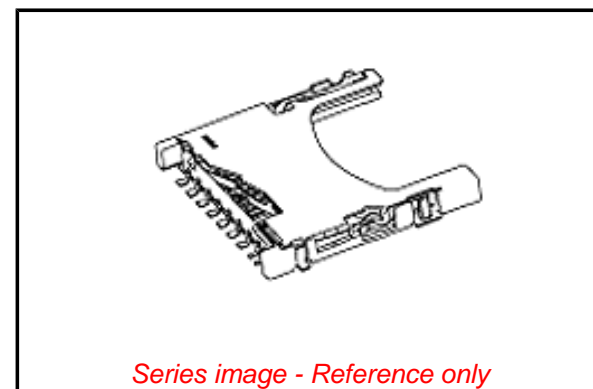
Solder Process Data

Duration at Max. Process Temperature (seconds)	003
Lead-freeProcess Capability	REFLOW
Max. Cycles at Max. Process Temperature	001
Process Temperature max. C	245

Material Info

Reference - Drawing Numbers

Product Specification	PS-67781-001
Sales Drawing	SD-67781-004



Series image - Reference only

EU ELV

Not Relevant

EU RoHS

Compliant

REACH SVHC

Contains SVHC(2014 December 17): No

Halogen-Free

Status

Low-Halogen

Need more information on product environmental compliance?

Email productcompliance@molex.com
Please visit the [Contact Us](#) section for any non-product compliance questions.

China ROHS

ELV

Green Image

Not Relevant

Search Parts in this Series

[67781](#) Series

Use With

SD Memory Cards

This document was generated on 06/24/2015

PLEASE CHECK WWW.MOLEX.COM FOR LATEST PART INFORMATION