

PLEASE CHECK WWW.MOLEX.COM FOR LATEST PART INFORMATION

Part Number: [0876090153](#)

Status: **Active**

Description: 1.27mm Pitch DIMM 8-Byte Socket, Right Angle, Multi-Key, 168 Circuits, with Beveled Metal Pins and Plastic Pegs, with Beige Latches, 2.79mm Tail Length, 0.76µm Gold (Au) Plating, Right Function Key, Lead-Free

Documents:

[3D Model](#) [Product Specification PS-87609-002-001 \(PDF\)](#)
[Drawing \(PDF\)](#) [RoHS Certificate of Compliance \(PDF\)](#)

General

Product Family	Memory Module Sockets
Series	87609
Component Type	Socket
JEDEC Outline	MO-161
Product Name	DIMM
UPC	822348572823

Physical

Circuits (Loaded)	168
Durability (mating cycles max)	25
Entry Angle	90° Angle (Side Entry)
Function Key	Right
Housing Color	Black
Keying to Mating Part	Yes
Latch Color	Beige
Material - Metal	Brass, High Performance Alloy (HPA)
Material - Plating Mating	Gold
Material - Plating Termination	Tin
Material - Resin	High Temperature Thermoplastic
Net Weight	15.682/g
PC Tail Length	2.79mm
PCB Locator	Yes
PCB Retention	Yes
PCB Thickness - Recommended	1.60mm
Packaging Type	Tray
Pitch - Mating Interface	1.27mm
Plating min - Mating	0.762µm
Plating min - Termination	2.540µm
Temperature Range - Operating	-10°C to +85°C
Termination Interface: Style	Through Hole

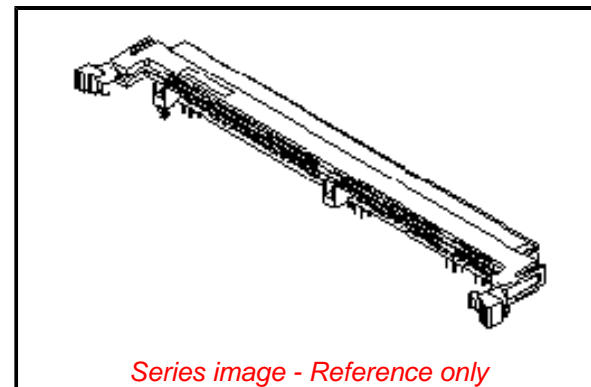
Electrical

Current - Maximum per Contact	1.0A
Voltage - Maximum	125V
Voltage Key	3.3V, Center

Material Info

Reference - Drawing Numbers

Product Specification	PS-87609-002-001
Sales Drawing	SD-87609-001



EU ELV

Not Relevant

EU RoHS

Compliant

REACH SVHC

Not Contained Per
-ED/01/2017 (12
January 2017)

Halogen-Free

Status

Not Low-Halogen

Need more information on product environmental compliance?

Email productcompliance@molex.com
Please visit the [Contact Us](#) section for any non-product compliance questions.

China ROHS	Green Image
ELV	Not Relevant
RoHS Phthalates	Not Contained

Search Parts in this Series

[87609 Series](#)

Mates With

JEDEC MO-161 Modules