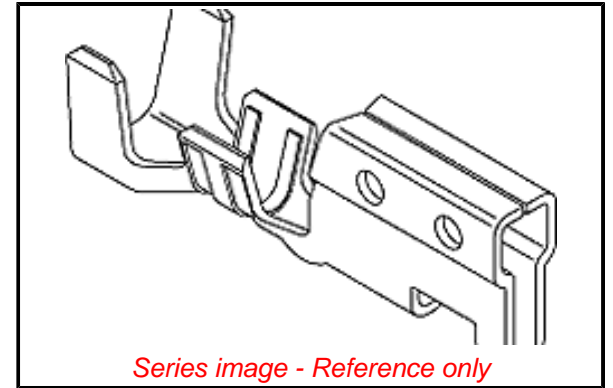


PLEASE CHECK WWW.MOLEX.COM FOR LATEST PART INFORMATION

Part Number: [0008701031](#)
Status: **Active**
Overview: [SPOX BMI Connector System](#)
Description: SPOX Crimp Terminal 5194, 18-24 AWG, Brass, Reel

Documents:

Drawing (PDF)	Product Specification PS-5196-004 (PDF)
Product Specification PS-5096-003 (PDF)	Product Specification PS-5196-005 (PDF)
Product Specification PS-5195-001 (PDF)	Product Specification PS-5196-006-001 (PDF)
Product Specification PS-5195-002 (PDF)	Product Specification PS-5197-001 (PDF)
Product Specification PS-5195-003 (PDF)	Product Specification PS-5197-003 (PDF)
Product Specification PS-5195-005-001 (PDF)	Product Specification PS-5197-004 (PDF)
Product Specification PS-5195-006-001 (PDF)	Product Specification PS-5198-001-001 (PDF)
Product Specification PS-5195-007-001 (PDF)	Product Specification PS-5273-003 (PDF)
Product Specification PS-5195-009 (PDF)	Product Specification PS-5273-004 (PDF)
Product Specification PS-5195-010 (PDF)	Packaging Specification 51949200-200 (PDF)
Product Specification PS-5195-011 (PDF)	RoHS Certificate of Compliance (PDF)
Product Specification PS-5196-001 (PDF)	



General

Product Family	Crimp Terminals
Series	5194
Application	Signal
Crimp Quality Equipment	Yes
Overview	SPOX BMI Connector System
Packaging Alternative	08-70-1030 (Loose)
Product Name	SPOX
UPC	800753534896

Physical

Gender	Female
Material - Metal	Brass
Material - Plating Mating	Tin
Material - Plating Termination	Tin
Net Weight	185.000/mg
Packaging Type	Reel
Plating min - Mating	0.889µm
Plating min - Termination	0.889µm
Termination Interface: Style	Crimp or Compression
Wire Insulation Diameter	1.30-3.20mm
Wire Size AWG	18, 20, 22, 24
Wire Size mm ²	N/A

Material Info

Engineering Number	5194T
--------------------	-------

Reference - Drawing Numbers

Crimp Specification	CS-5194, CS-5194(S)
Packaging Specification	51949200-200
Product Specification	PS-5096-003, PS-5195-001, PS-5195-002, PS-5195-003, PS-5195-005-001, PS-5195-006-001, PS-5195-007-001, PS-5195-009, PS-5195-010, PS-5195-011, PS-5196-001, PS-5196-004, PS-5196-005, PS-5196-006-001, PS-5197-001, PS-5197-003, PS-5197-004, PS-5198-001-001, PS-5273-003, PS-5273-004
Sales Drawing	SD-5194-001

EU ELV

Not Relevant

EU RoHS

Compliant

REACH SVHC

Not Contained Per
-ED/01/2018 (15
January 2018)

Halogen-Free

Status

Low-Halogen

Need more information on product environmental compliance?

Email productcompliance@molex.com
Please visit the [Contact Us](#) section for any non-product compliance questions.

China ROHS

ELV

RoHS Phthalates

Green Image

Not Relevant

Not Contained

Search Parts in this Series

[5194 Series](#)

Use With

[5195](#) , [5196](#) , [5197](#) , [5198](#) , [5199](#)

This document was generated on 07/13/2018

PLEASE CHECK WWW.MOLEX.COM FOR LATEST PART INFORMATION