

| PART NO. | ENG. NO. |
|------------|--------------|
| 02-09-2141 | 1434-(P901) |
| 02-09-2143 | 1434-(P901)L |
| 02-09-2149 | 1434-(P901)I |
| 02-09-2186 | 1434-(P903) |
| 02-09-2185 | 1434-(P903)L |
| 02-09-6144 | 1434-(550) |
| 02-09-6145 | 1434-(550)L |

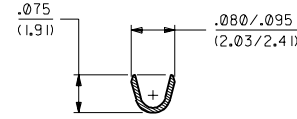
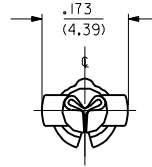
LEGEND

1434-(****)*

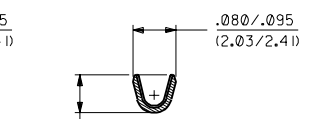
- P = PREPLATE
- BLANK = POSTPLATE
- FORM BLANK = CHAIN
- L = LOOSE
- I = WITH INTERLEAF PAPER
- FINISH CODE (SEE NOTE 2)

NOTES:

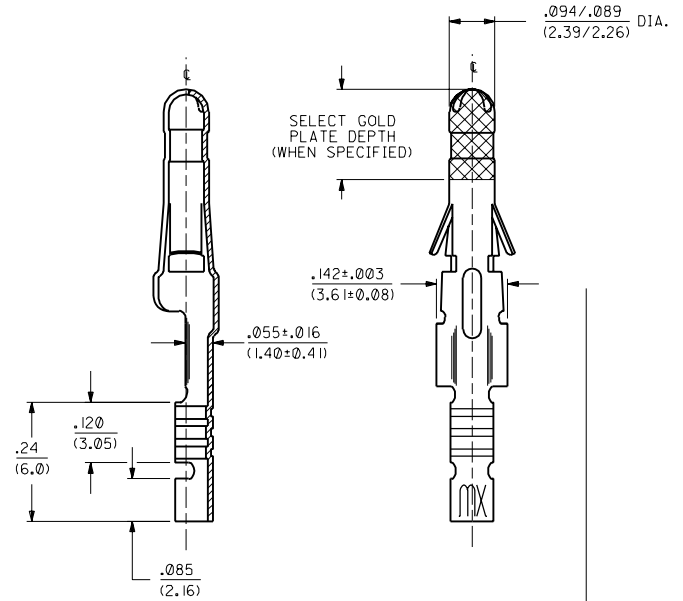
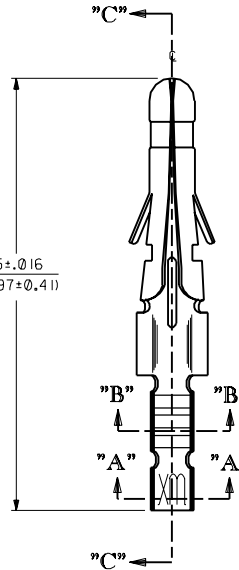
- MATERIAL: BRASS, ALLOY #26000
- FINISH:
 - 901 HOT TIN DIP .000020/(0.0005) MIN.
 - 903 HOT TIN-LEAD DIP .000050/(0.00127) MIN.
 - 550 SELECT GOLD PLATE .000015/(0.00038) MIN. IN CONTACT AREA, OVER .000030/(0.00076) MIN. NICKEL OVERALL WITH .000010/(0.00025) MAX. GOLD FLASH OVERALL
- THIS PART CONFORMS TO PRODUCT SPECIFICATION 02-09
- TERMINAL FOR USE WITH .093/(2.36) SERIES HOUSINGS AND WILL ACCEPT 24 THRU 30 AWG WIRE.
- INSERTION FORCE: 3.5 LBS. MAX. WHEN TERMINAL IS INSERTED INTO AN .093 SERIES HOUSING.
- CONTACT RETENTION: 20 LBS. MIN.



SECT. "A-A"



SECT. "B-B"



SECT. "C-C"

| | |
|-----|--|
| AC | ADD - (P901) ECN #2001-0905 4-5-01 BW |
| AB1 | REVISED ECN# UCR1999-0518 STAMBAUGH 99-2-9 |
| AB | FINAL RELEASE ECR 11/04/54 2/20/91 RW |

| DIMENSIONS SHOWN METRIC (INCH UNLESS OTHERWISE SPECIFIED TOLERANCES: ANGULAR ± 1/2°) | | REVISE ONLY ON CAD SYSTEM | | | | | | | | | |
|---|--------|--|--------|----------------|-----|----------------|--------|-------------|--------|--|--|
| <table border="1"> <thead> <tr> <th>INCH</th> <th>METRIC</th> </tr> </thead> <tbody> <tr> <td>3 PLACE ± .010</td> <td>---</td> </tr> <tr> <td>2 PLACE ± .014</td> <td>± 0.25</td> </tr> <tr> <td>1 PLACE ---</td> <td>± 0.36</td> </tr> </tbody> </table> | | INCH | METRIC | 3 PLACE ± .010 | --- | 2 PLACE ± .014 | ± 0.25 | 1 PLACE --- | ± 0.36 | TITLE: CRIMP TERMINAL, MALE .093/(2.36) DIA. FOR 24 THRU 30 AWG WIRE SHEET NO. 1 DATE 2/20/91 MOLEX INCORPORATED LITTLE ROCK, AR 69532 U.S.A. | |
| INCH | METRIC | | | | | | | | | | |
| 3 PLACE ± .010 | --- | | | | | | | | | | |
| 2 PLACE ± .014 | ± 0.25 | | | | | | | | | | |
| 1 PLACE --- | ± 0.36 | | | | | | | | | | |
| DRAFT WHERE APPLICABLE MUST REMAIN WITHIN DIMENSIONS DRWG. BY: GWF APP'D: GWF FILE NAME: S1434X1.DWG SCALE: 6 : 1 | | PART NO.: SD-1434- DRWG. NO.: DIV: CP SIZE: C | | | | | | | | | |