

PLEASE CHECK WWW.MOLEX.COM FOR LATEST PART INFORMATION

Part Number: **0510161500**
Status: **Active**
Description: 1.50mm Pitch Cable Holder, Vertical, for Ribbon Cable, 15 Circuits

Documents:

[3D Model](#) [Product Specification PS-51016-001 \(PDF\)](#)
[Drawing \(PDF\)](#) [RoHS Certificate of Compliance \(PDF\)](#)

General

Product Family Ribbon Cable / Wire Trap Connectors
Series [51016](#)
Component Type One Piece
Glow-Wire Capable No
Product Name Board-in, Cable Holder
UPC 800753575516

Physical

Circuits (Loaded) 15
Color - Resin Natural
Entry Angle Vertical
Lock to Mating Part None
Material - Plating Mating N/A
Material - Resin Nylon
Net Weight 380.000/mg
Number of Rows 1
PCB Retention Yes
PCB Thickness - Recommended 1.60mm
Packaging Type Bag
Pitch - Mating Interface 1.50mm
Polarized to Mating Part N/A
Polarized to PCB Yes
Stackable No
Surface Mount Compatible (SMC) No
Temperature Range - Operating -40°C to +105°C
Wire Insulation Diameter 1.30mm max.
Wire Size AWG 26
Wire/Cable Type Ribbon Cable

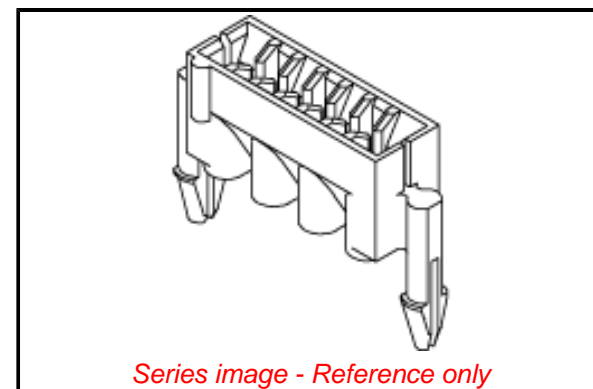
Electrical

Current - Maximum per Contact N/A
Voltage - Maximum N/A

Material Info

Reference - Drawing Numbers

Product Specification PS-51016-001
Sales Drawing SD-51016-001, SD-51016-002



EU ELV

Not Relevant

EU RoHS

Compliant

REACH SVHC

Not Contained Per
-ED/01/2018 (15
January 2018)

Halogen-Free

Status

Low-Halogen

**Need more information on product
environmental compliance?**

Email productcompliance@molex.com
Please visit the [Contact Us](#) section for any
non-product compliance questions.

China ROHS	Green Image
ELV	Not Relevant
RoHS Phthalates	Not Contained

Search Parts in this Series

[51016 Series](#)

Mates With

N/A

Use With

Topcoated Ribbon Cable