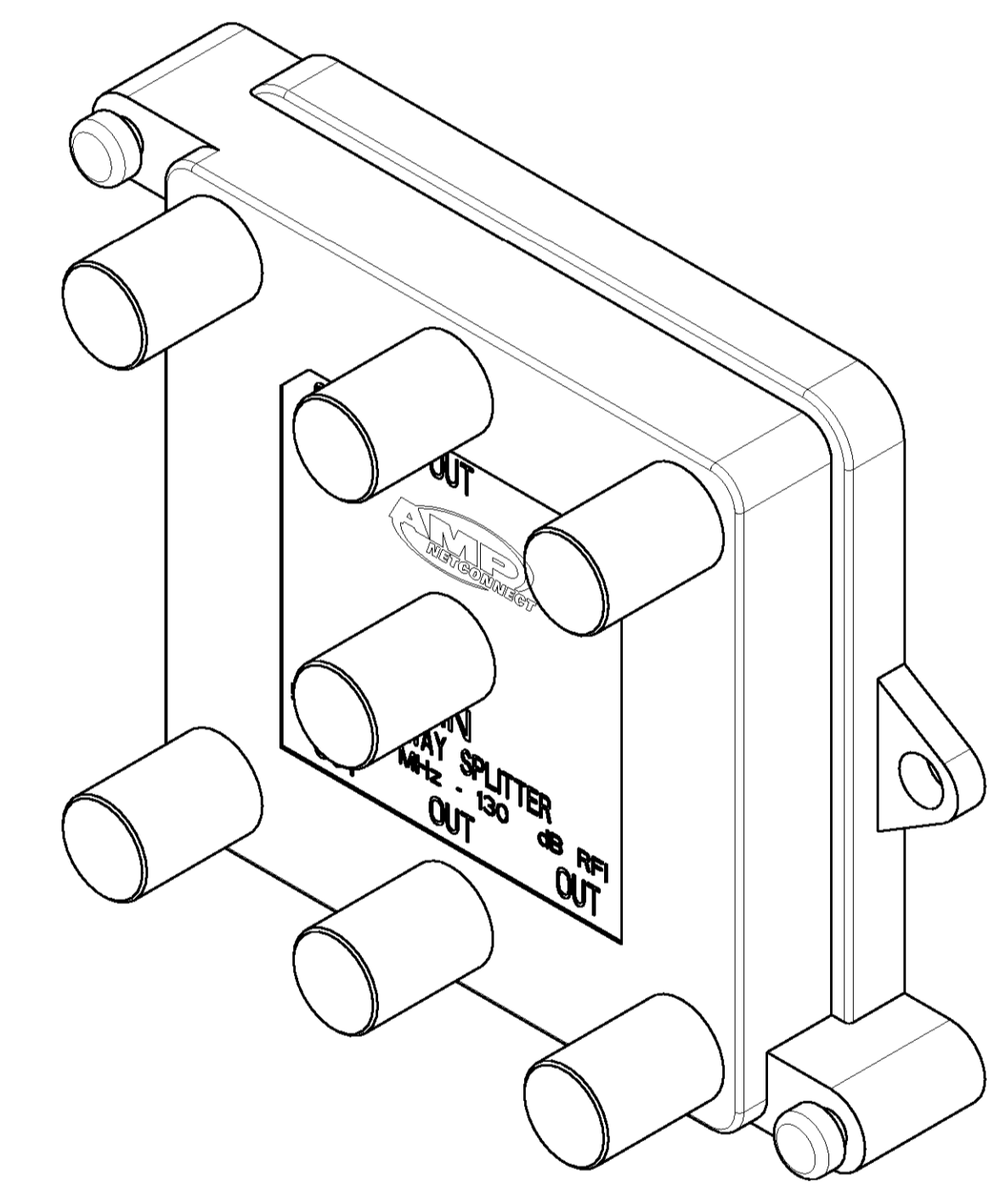
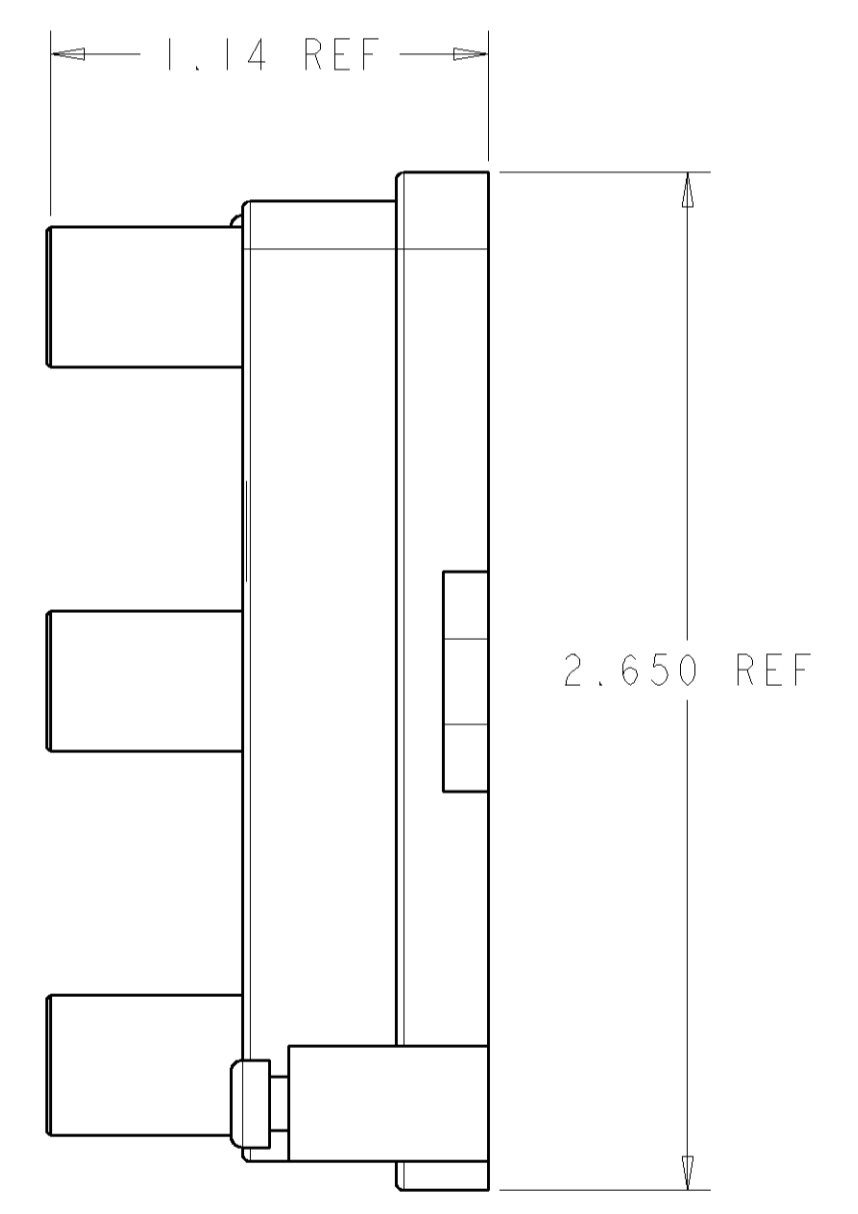
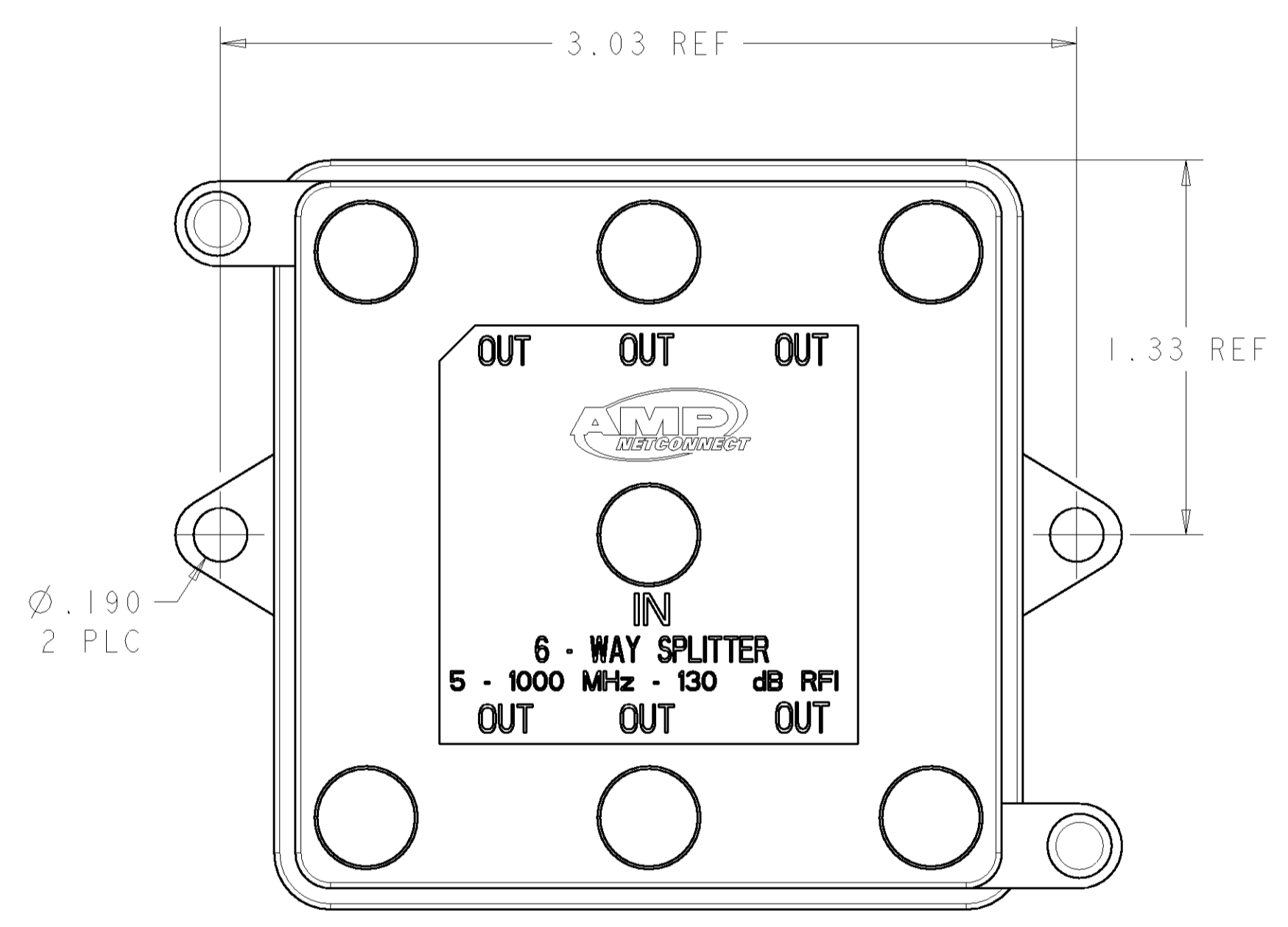
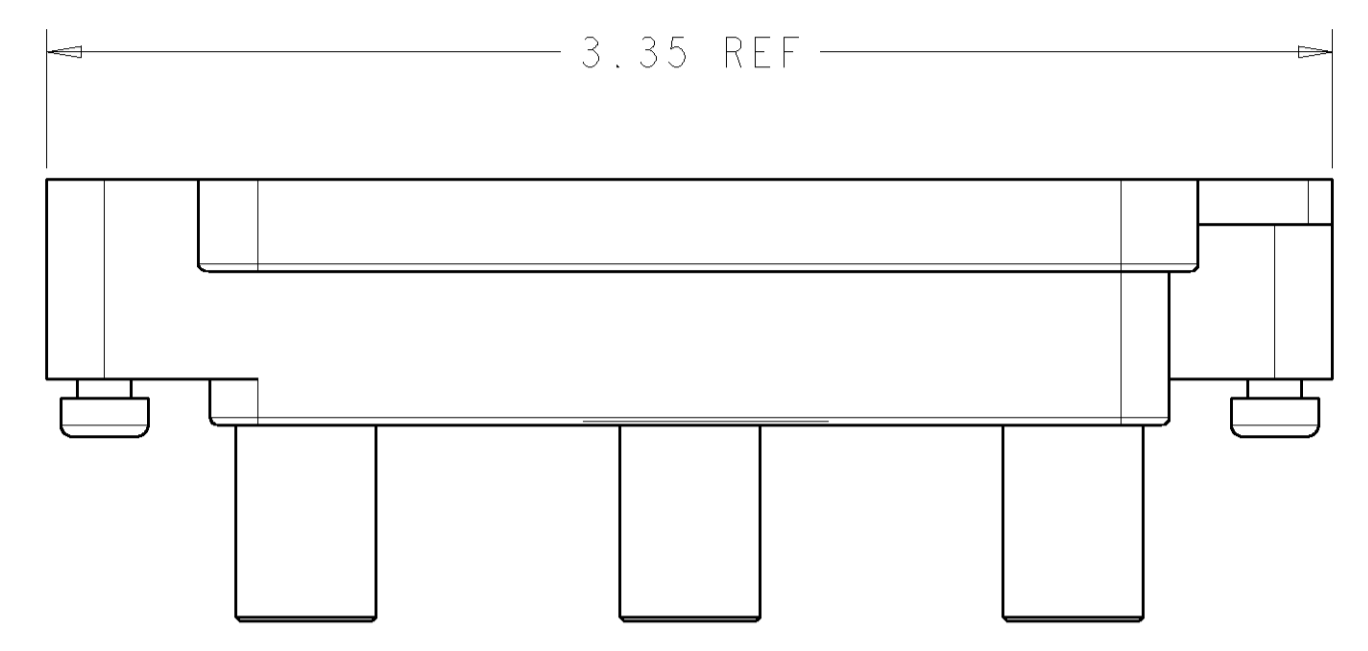


LOC	DIST	REVISIONS					
		P	LTR	DESCRIPTION	DATE	DWN	APVD
HM	00	A		REV-EC 0B40-0324-02	02DEC02	LH	JC

- ⚠ MATERIAL: ZINC DIECAST
 5-1000 MHZ AND 130 DB
 ISOLATION 6-WAY SPLITTER.
 ALL PORTS DC PASSING.
2. 6-32 SCREWS AND FOAM TAPE,
 NOT SHOWN.



1375398-1
PART NO

<small>THE INFORMATION CONTAINED HEREIN IS UNCLASSIFIED EXCEPT WHERE SHOWN OTHERWISE. IT IS THE PROPERTY OF TYCO ELECTRONICS CORPORATION AND IS TO BE CONTAINED AND CONTROLLED BY THE USER'S ORGANIZATION.</small>		DWN L HALL	27NOV02	Tyco Electronics Harrisburg, PA 17105-3608
DIMENSIONS: MM [INCHES]		CHK J. CALLOWAY	02DEC02	
TOLERANCES UNLESS OTHERWISE SPECIFIED: 0 PLC ± 1 PLC ± 2 PLC ± 3 PLC ± 4 PLC ± ANGLES ±		APVD J. CALLOWAY	02DEC02	NAME SPLITTER, 6-WAY VIDEO
MATERIAL: - ⚠ FINISH: -		PRODUCT SPEC: - APPLICATION SPEC: - WEIGHT: - CUSTOMER DRAWING		SIZE: A CAGE CODE: 00779 DRAWING NO: C-1375398 RESTRICTED TO: -
AMP 4895 REV 31MAR2000 Pro/ENGINEER DRAWING		SCALE: 2:1 SHEET: 1 OF 1 REV: A		