

4

3

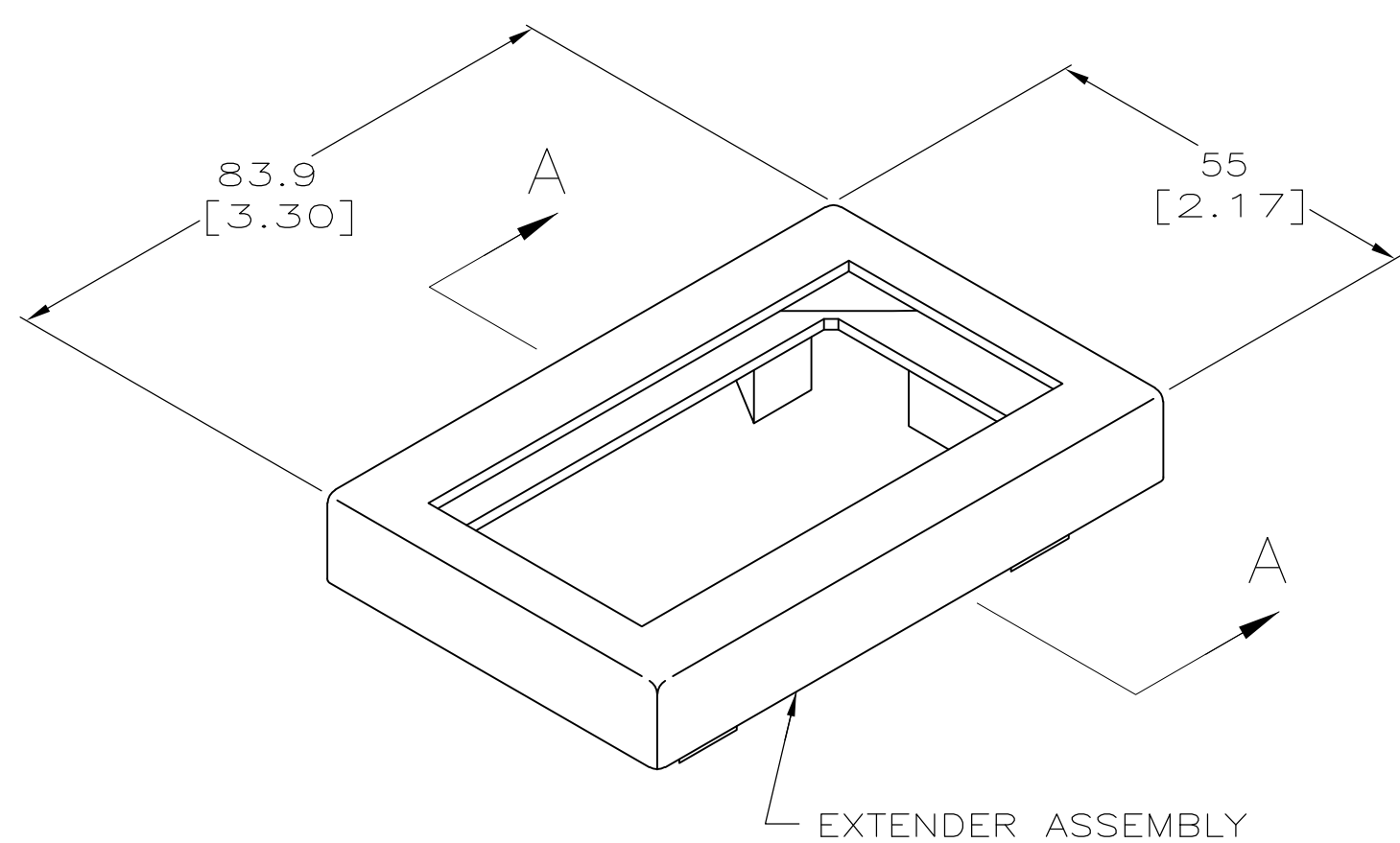
2

1

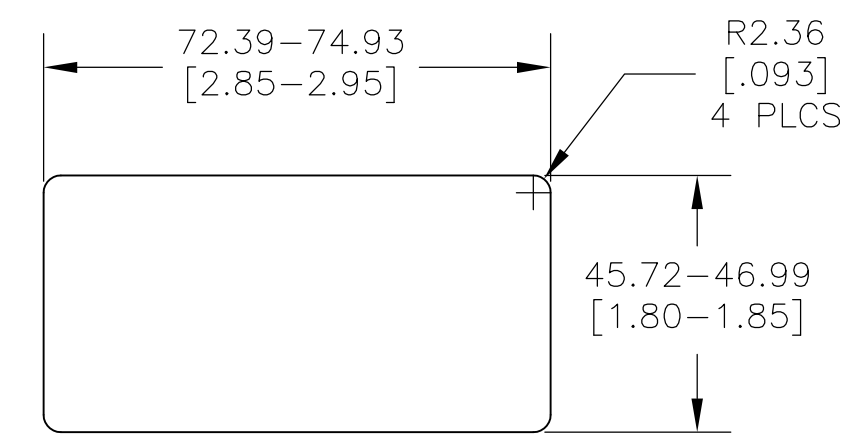
THIS DRAWING IS UNPUBLISHED. RELEASED FOR PUBLICATION - , - .

© COPYRIGHT - By - ALL RIGHTS RESERVED.

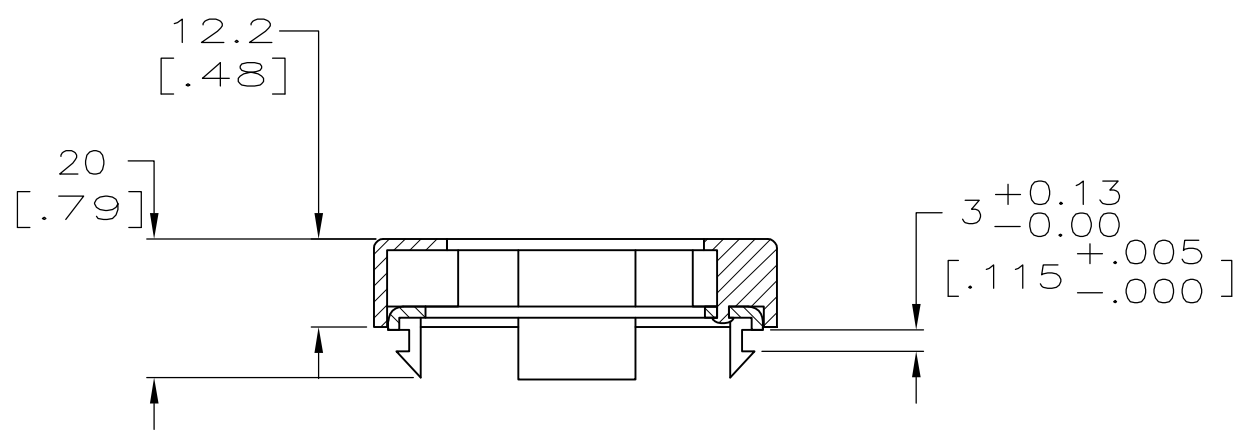
LOC	DIST	REVISIONS					
HM	00	P	LTR	DESCRIPTION	DATE	DWN	APVD
			C	REV ECO-15-002162	11FEB2015	GG	RA



- 1. DIMENSIONS ARE MAXIMUM UNLESS OTHERWISE SPECIFIED.
- 2. MATERIAL: EXTENDER ASSEMBLY— POLYCARBONATE MOLDING COMPOUND, 94V-0 RATED, SEE TABLE FOR COLOR. TUBING— BLACK POLYOLEFIN.
- 3. KIT SHIPPED NOT ASSEMBLED EXCEPT AS SHOWN.
- 4. KIT INCLUDES TUBING — NOT SHOWN.



RECOMMENDED PANEL CUTOUT
SCALE: 1:1



SECTION A-A
ROTATED 30° CCW

NEMA GRAY	558488-4
LIGHT ALMOND	558488-2
BLACK	558488-1
COLOR	PART NO.

THIS DRAWING IS A CONTROLLED DOCUMENT.		DWN	3-28-94		TE Connectivity			
		CHK	3-28-94					
		APVD	3-28-94					
		PRODUCT SPEC	3-28-94					
DIMENSIONS: INCHES		TOLERANCES UNLESS OTHERWISE SPECIFIED:		NAME		EXTENDER KIT, HERMAN MILLER, FLEXMODE		
		0 PLC ± - 1 PLC ± - 2 PLC ± - 3 PLC ± - 4 PLC ± - ANGLES ± -		K. TILLMAN/UTA D. HUSSEY J.KILPATRICK D. MARGO				
MATERIAL		FINISH		SIZE		CAGE CODE	DRAWING NO	RESTRICTED TO
		-		A3		00779	C-558488	-
CUSTOMER DRAWING				SCALE	1:1	SHEET	1 OF 1	REV
								C