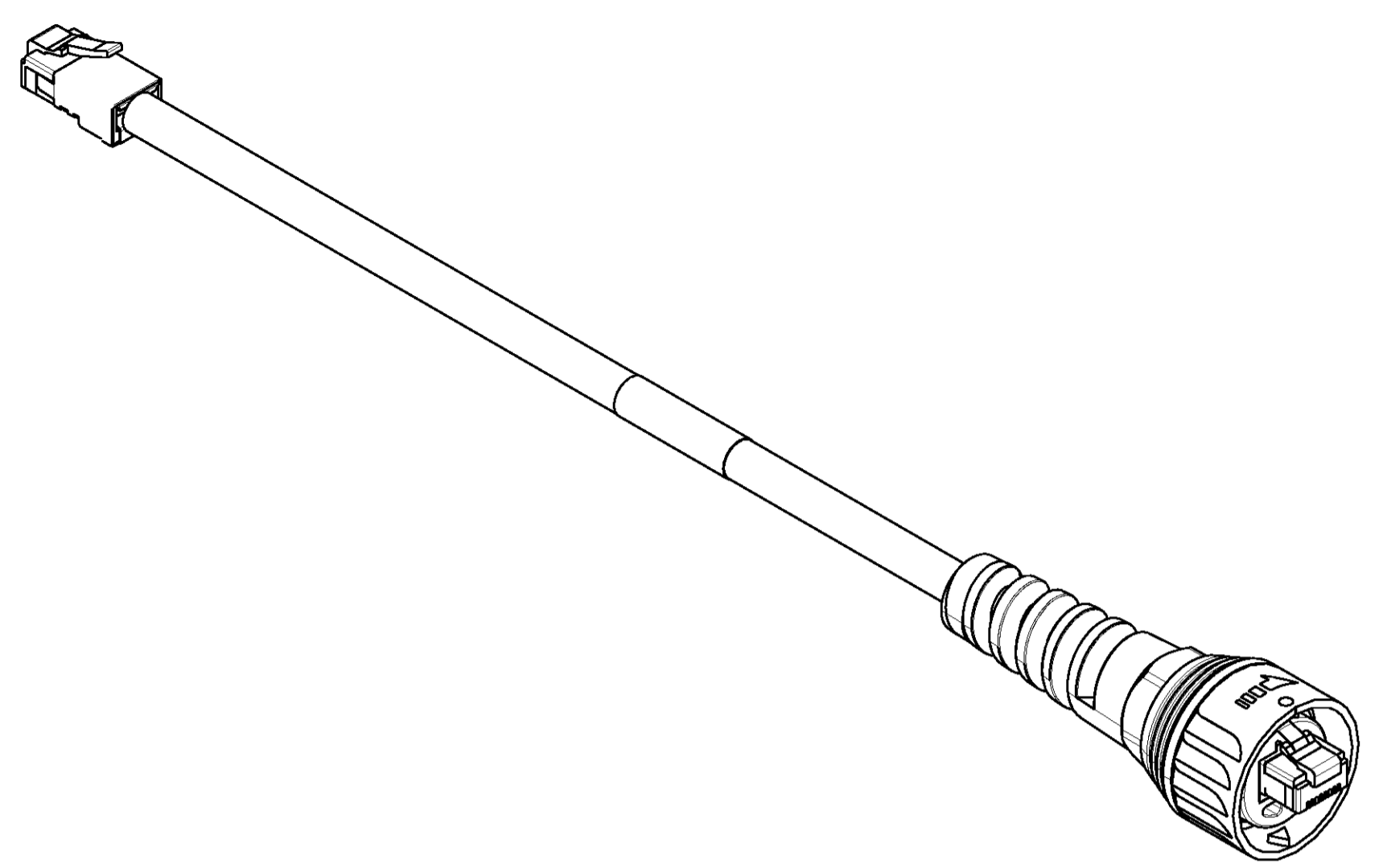
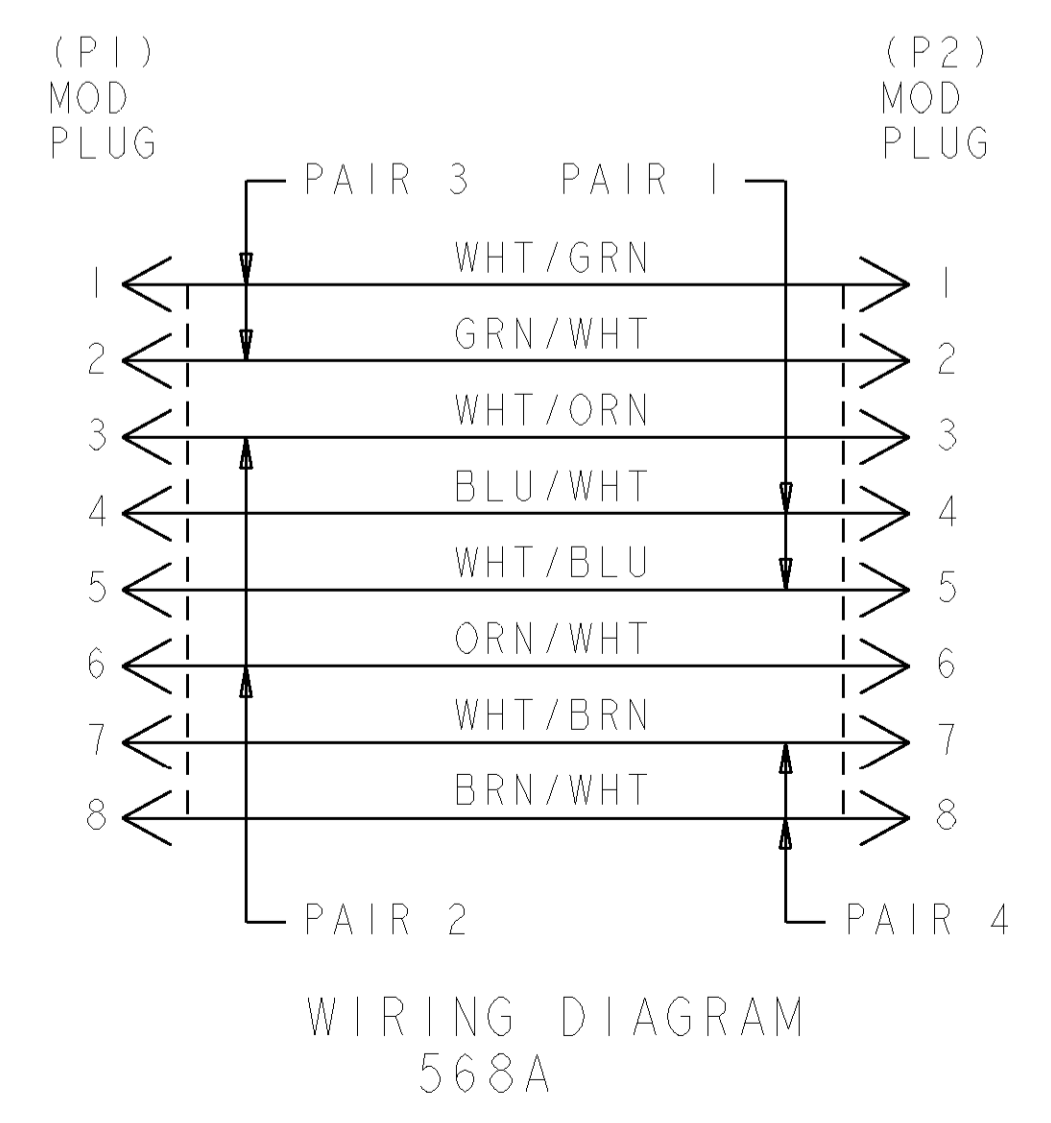
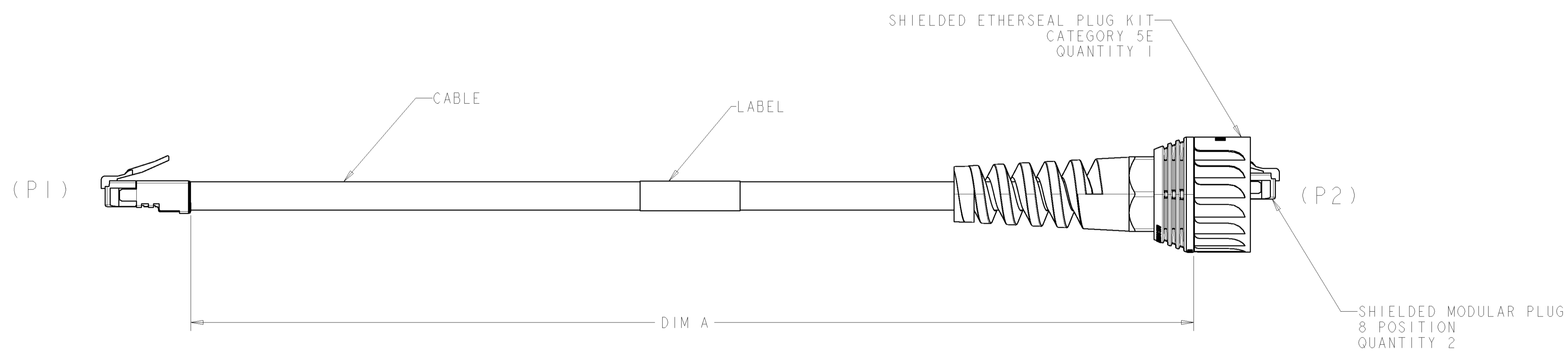


LOC		DIST		REVISIONS				
HM		00		REV	DESCRIPTION	DATE	BY	APPD
				E	REV ECN 8000019204	27JAN17	GG	DP



SCALE 1:1

- ONE CABLE PACKAGED IN A CLEAR POLYBAG.
- △ DIMENSIONS ARE MAXIMUM UNLESS OTHERWISE SPECIFIED.
- CABLE, MODERATE NOISE ETHERSEAL PATCH, 24 AWG 7/32. CABLE MEETS UL 62 SECTION 59 OIL RESISTANCE. UL 444 SECTION 6.12 UV EXPOSURE, TIA/EIA 568 B.2.
- DESIGNATIONS IN PARENTHESES ( ) ARE FOR REFERENCE ONLY.
- AN ALTERNATE FORM OF CONNECTOR COMPONENTS RESULTING IN EQUIVALENT PERFORMANCE IS ACCEPTABLE.



FEET, REF	DIM A	PART NO.
60	18440.4 (726.00)	6-1479604-0
50	15417.8 (607.00)	5-1479604-0
40	12344.4 (486.00)	4-1479604-0
30	9321.8 (367.00)	3-1479604-0
25	7721.6 (304.00)	2-1479604-5
20	6197.6 (244.00)	2-1479604-0
15	4699.0 (185.00)	1-1479604-5
10	3175.0 (125.00)	1-1479604-0
7	2209.8 (87.00)	1479604-7
5	1600.2 (63.00)	1479604-5
3	990.6 (39.00)	1479604-3

THIS DRAWING IS A CONTROLLED DOCUMENT.

DIMENSIONS: MM [INCHES]	TOLERANCES UNLESS OTHERWISE SPECIFIED:	0 PLC ±	1 PLC ±	2 PLC ±	3 PLC ±	4 PLC ±	ANGLES ±	FINISH

COMMSCOPE, INC.

CABLE ASSEMBLY, ETHERSEAL CAT5E PLUG TO NON-ETHERSEAL CAT5E PLUG, SCTP

SCALE 3:2 SHEET 1 OF 1 REV E