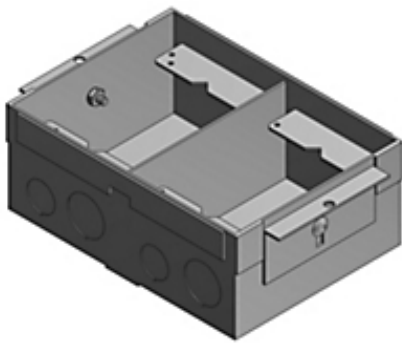




Actual



Representative

Catalog Number: 62W
Product ID: 7TAA003020R0001
UPC Number: 78599161556
Status: Active

Two Gang Floor Box, 60 Cubic Inches, Length 7-1/16 Inches, Width 5-5/16 Inches, Depth 2-13/16 Inches, 1/2 Inch, 3/4 Inch, and 1 Inch Knockouts, Galvanized Steel, For Wood Sub-floors

- Adjustable mounting brackets allow for various finished floor material heights, hardwoods, tile or carpet.
- Voltage dividers are included with multi-gang boxes to accommodate power, voice and data services in the same floor box.
- Full range of metallic and non-metallic cover and flange options.

North American Specifications (UNSPSC)

UNSPSC	39121307 Floor boxes
IGCC	4432 Floor boxes
Brand Name	Steel City
Type	Flush Service
Special Features	3/4 in. and 1 in. knockouts provide application flexibility.
Application	Provide flush service for power, communications and data in wood floors
Standard	UL E2969
Material	Stamped Steel
Cubic Capacity	60 Cubic Inches
Knockouts	12

European Specifications (ETIM)

ETIM	EC000024 Installation box for underfloor-installation
Cover model	Rectangular
Suitable for wet cleaning	N
Suitable for hollow floor	Y
Material	Other
With opening carpeting	N
Min. built-in depth	92.075mm
Colour	Other
Length external dimension	179.3748mm
Width outside dimension	134.9248mm

Packaging

Inner Quantity	1
Inner Dimensions (inches)	7.8x5.7x3.6
Outer Quantity	2
Outer Dimensions (inches)	12x9x5
Weight Uom	3.66 lbs. Each

Documents / Support Tools

Technical Drawing / Data Sheet	WSD-000515
Technical Drawing / Data Sheet Canada	Available on Website
Instruction Sheet	TA01099-TB2

For further technical assistance, please contact us...

Thomas & Betts - USA
 8155 T&B Blvd.
 Memphis, TN 38125

T&B Technical Support
 MS 3B-50
 8155 T&B Blvd.

Hours: 7AM - 6PM CDT
 Monday-Friday
 Phone: (888) 862-3289

