

PLEASE CHECK WWW.MOLEX.COM FOR LATEST PART INFORMATION

Part Number: **0355330216**
Status: **Active**
Overview: Automotive Bulb Sockets
Description: PT Bulb Socket Single Housing Assembly, Type B, Unsealed, White

Documents:

[3D Model](#) [Packaging Specification PK-35533-001-001 \(PDF\)](#)
[Drawing \(PDF\)](#) [RoHS Certificate of Compliance \(PDF\)](#)
[Product Specification PS-35532-001-001 \(PDF\)](#)

General

Product Family	Other Sockets
Series	<u>35533</u>
Comments	B-Type
Component Type	Socket
Overview	<u>Automotive Bulb Sockets</u>
Product Name	Bulb Socket
UPC	756054249628

Physical

Circuits (Loaded)	0
Circuits (maximum)	0
Color - Resin	White
Durability (mating cycles max)	50
Entry Angle	Vertical
Keying to Mating Part	None
Material - Resin	Nylon
Net Weight	5.373/g
PCB Locator	No
PCB Retention	N/A
Packaging Type	Bag
Pitch - Mating Interface	N/A
Temperature Range - Operating	-40°C to +105°C

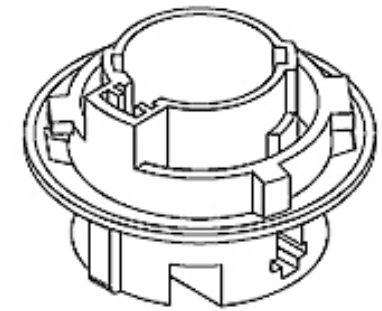
Electrical

Current - Maximum per Contact	7.0A
Voltage - Maximum	300V AC (RMS)/DC

Material Info

Reference - Drawing Numbers

Packaging Specification	PK-35533-001-001
Product Specification	PS-35532-001-001
Sales Drawing	SD-35533-002



Series image - Reference only

EU ELV

Compliant

EU RoHS

Compliant

REACH SVHC

Not Contained Per
-ED/01/2018 (15
January 2018)

Halogen-Free

Status

Not Relevant

Need more information on product environmental compliance?

Email productcompliance@molex.com
Please visit the [Contact Us](#) section for any non-product compliance questions.

China ROHS	Not Relevant
ELV	Compliant
RoHS Phthalates	Not Contained

Search Parts in this Series

[35533 Series](#)

Mates With

Lamp

Use With

[35438](#) Positive Terminal for PT Bulb Socket,
[35439](#) Earth Terminal for PT Bulb Socket