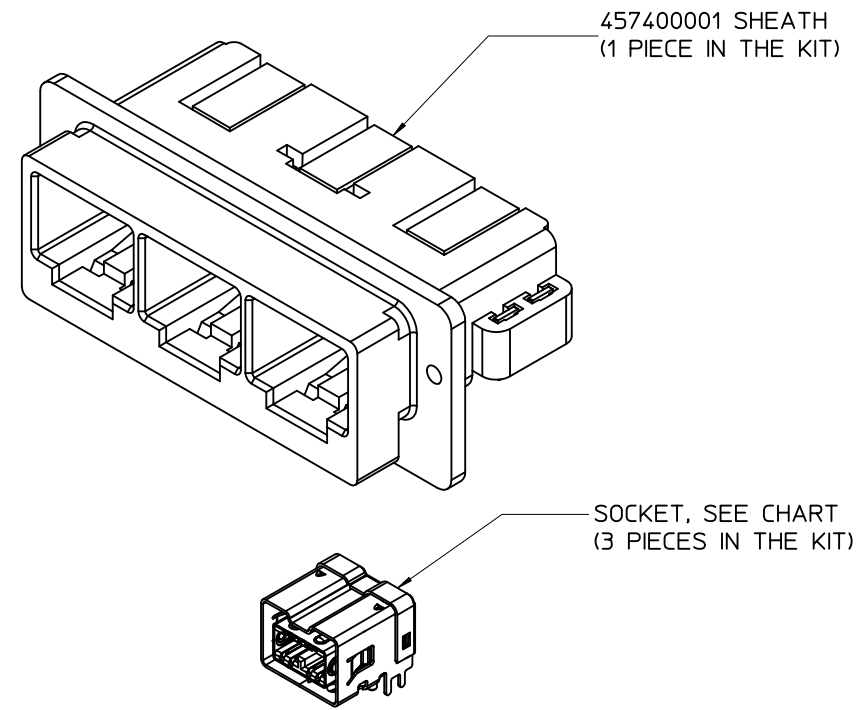


KIT PART NUMBER	KIT PACKAGING	SOCKET PART NUMBER	SOCKET PACKAGING STYLE	SHEATH PACKAGING STYLE
45740-1001	PER PK-45740-101	46270-0001	TRAY	TRAY
45740-1002	PER PK-45740-102	46270-0002	TAPE & REEL	TRAY



- NOTES:
1. MATERIAL: SEE THE BODY OF THE DRAWING.
 2. FINISH:
TRIPLE PORT SHEATH: SEE SD-45740-001
BILINGUAL SOCKET: SEE SD-46270-001
 3. PRODUCT SPECIFICATION: PS-45740-001
 4. PACKAGING: SEE CHART
 5. THE PARTS CONFORM TO CLASS "B" REQUIREMENTS OF COSMETIC SPECIFICATION PS-45499-002.

ADD SOCKET PART # EC NO: UCP2011-2133 3) DRAWN/KIPPER 2011/01/18 CHKD: BANDERSON 2011/01/18 APPR: FSMITH 2011/01/27	QUALITY SYMBOLS ▽ F/0 ▽ F/0 ▽ F/0	GENERAL TOLERANCES (UNLESS SPECIFIED)		DIMENSION STYLE MM ONLY		SCALE 2:1	DESIGN UNITS METRIC	THIRD ANGLE PROJECTION		
		4 PLACES	± ---	± ---	DRAWN BY PELOZA	DATE 04/05/07	TITLE SHEATH AND SOCKET KIT TRIPLE PORT SHEATH			
		3 PLACES	± ---	± ---	CHECKED BY PELOZA	DATE 04/05/07	MOLEX INCORPORATED DOCUMENT NO. SD-45740-101 SHEET NO. 1 OF 1			
		2 PLACES	± ---	± ---	APPROVED BY COMERCI	DATE 04/05/07				
1 PLACE	± ---	± ---	ANGULAR ±1/2°		MATERIAL NO. SEE CHART		THIS DRAWING CONTAINS INFORMATION THAT IS PROPRIETARY TO MOLEX INCORPORATED AND SHOULD NOT BE USED WITHOUT WRITTEN PERMISSION			
DRAFT WHERE APPLICABLE MUST REMAIN WITHIN DIMENSIONS										