

**PLEASE CHECK WWW.MOLEX.COM FOR LATEST PART INFORMATION**

**Part Number:** **0473001020**  
**Status:** **Active**  
**Overview:** Slimline Serial ATA ODD Connectors  
**Description:** 1.00mm, 1.27mm Pitch Slimline Serial ATA Plug for Optical Disk Drive with DIP Standard Type Soldering Tabs, Right Angle, Gold (Au) Flash Plating, with Pegs, 5.4mm Mounted Height, Lead-Free

**Documents:**

<a href="#">3D Model</a>	<a href="#">Packaging Specification PK-47300-003 (PDF)</a>
<a href="#">Drawing (PDF)</a>	<a href="#">Packaging Specification PK-47300-004 (PDF)</a>
<a href="#">Product Specification PS-47300-001-001 (PDF)</a>	<a href="#">RoHS Certificate of Compliance (PDF)</a>
<a href="#">Packaging Specification PK-47300-001 (PDF)</a>	

**Agency Certification**

CSA LR19980

**General**

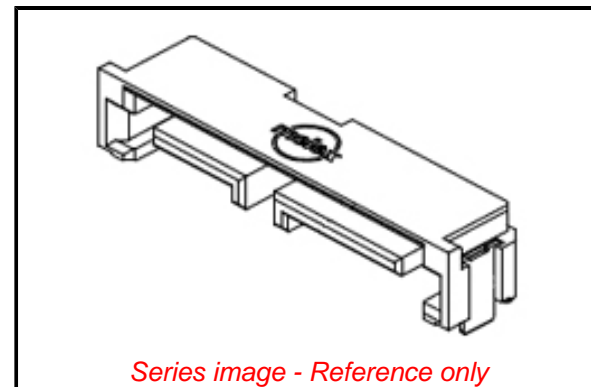
Product Family	PCB Headers
Series	<a href="#">47300</a>
Application	Board-to-Board, Signal
Comments	Soldering Standard Type
Overview	<a href="#">Slimline Serial ATA ODD Connectors</a>
Product Name	Serial ATA, Slimline Serial ATA
UPC	822350702843

**Physical**

Breakaway	No
Circuits (Loaded)	13
Circuits (maximum)	13
Durability (mating cycles max)	500
First Mate / Last Break	Yes
Flammability	94V-0
Glow-Wire Compliant	No
Guide to Mating Part	Yes
Keying to Mating Part	Yes
Lock to Mating Part	No
Material - Plating Mating	Gold
Material - Plating Termination	Tin
Material - Resin	High Temperature Thermoplastic
Net Weight	0.980/g
Number of Rows	1
Orientation	Right Angle
PCB Locator	Yes
PCB Retention	Yes
Packaging Type	Embossed Tape on Reel
Pitch - Mating Interface	1.00mm, 1.27mm
Pitch - Termination Interface	1.00mm, 1.27mm
Plating min - Mating	0.051µm
Plating min - Termination	1.016µm
Polarized to Mating Part	Yes
Polarized to PCB	Yes
Stackable	No
Temperature Range - Operating	-35°C to +85°C
Termination Interface: Style	Surface Mount

**Electrical**

Current - Maximum per Contact 1.5A



*Series image - Reference only*

**EU ELV**

**Not Relevant**

**EU RoHS**

**Compliant**

**REACH SVHC**

Not Contained Per  
-ED/01/2017 (12  
January 2017)

**Halogen-Free**

**Status**

**Low-Halogen**

**Need more information on product environmental compliance?**

Email [productcompliance@molex.com](mailto:productcompliance@molex.com)  
Please visit the [Contact Us](#) section for any non-product compliance questions.

China ROHS	Green Image
ELV	Not Relevant
RoHS Phthalates	Not Contained

**Search Parts in this Series**

[47300 Series](#)

**Mates With**

[47628](#) , [47639](#) , [47645](#) , [47650](#) , [78380](#)  
, [48321](#) , [48325](#) , [48330](#) , [48336](#) , [47657](#)  
Slimline Serial ATA Receptacles

Voltage - Maximum 15V DC

**Solder Process Data**

Duration at Max. Process Temperature (seconds) 010  
Lead-free Process Capability REFLOW  
Max. Cycles at Max. Process Temperature 001  
Process Temperature max. C 260

**Material Info**

**Reference - Drawing Numbers**

Electrical Model Document EE-48325-001  
Packaging Specification PK-47300-001, PK-47300-003, PK-47300-004  
Product Specification PS-47300-001-001  
S-Parameter Model SP-47300-100  
Sales Drawing SD-47300-100

This document was generated on 03/08/2017

**PLEASE CHECK [WWW.MOLEX.COM](http://WWW.MOLEX.COM) FOR LATEST PART INFORMATION**