

Product data sheet

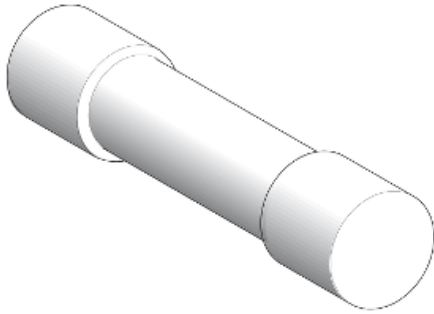
Characteristics

XUZE04

fuse cartridge 5 x 20 - fast blow 0.4 A - without indication

Product availability : Non-Stock - Not normally stocked in distribution facility

Price* : 12.00 USD



Main

Range of product	OsiSense XU
Accessory / separate part category	Fuses
Accessory / separate part type	Fast blow fuse
Accessory / separate part designation	Cartridge fuse
Accessory / separate part destination	Unprotected 2-wire AC/DC sensor
Sale per indivisible quantity	10

Complementary

Product compatibility	XS XT
Line Rated Current	0.4 A
Fuse size	5 x 20 mm
Fuse curve	Fast blow
Local signalling	Without
Product weight	0 lb(US) (0.001 kg)

Ordering and shipping details

Category	22499 - SENSORS ACCESSORIES
Discount Schedule	DS2
GTIN	003389110069549
Nbr. of units in pkg.	10
Package weight(Lbs)	0.02
Returnability	N
Country of origin	FR

Offer Sustainability

RoHS (date code: YYWW)	Compliant - since 0726 - Schneider Electric declaration of conformity Schneider Electric declaration of conformity
REACH	Reference not containing SVHC above the threshold

Reference not containing SVHC above the threshold

Contractual warranty

Warranty period	18 months
-----------------	-----------
