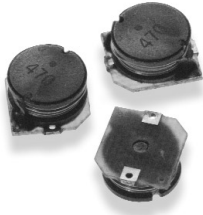


**Type 3626 Series**

**Type 3626 Series**



The 3626 series with its low profile makes this product very effective in space – conscious applications and designs. With its low resistance and high energy storage capabilities the products are highly suitable for use in DC-DC converter applications, step up or step down converters and flash memory programmers.

**Key Features**

- Available in 2 different sizes
- Wide Inductance range
- Low RDC
- Low profile construction
- Ferrite Core
- Taped and reeled
- Excellent Reliability

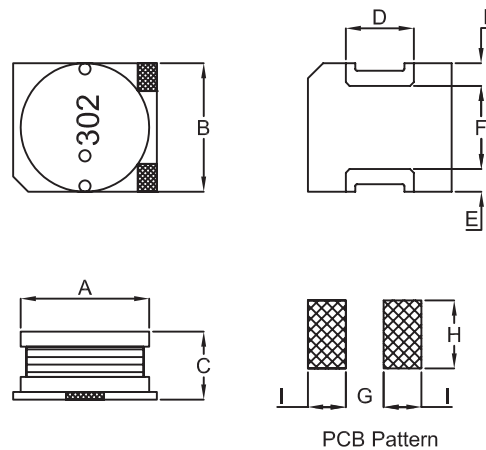
**Electrical Characteristics - 3626A Series**

Inductance Code	Inductance (µH)	Tolerance	Q Ref.	Test Freq. (Hz)		S.R.F. (MHz) Nom.	R.D.C. (Ω) Max.	I.D.C. (mA) Max.
				L	Q			
471	470	±10%	30	1K	796K	5.80	2.10	88
561	560	±10%	25	1K	796K	5.60	2.40	80
681	680	±10%	34	1K	796K	4.80	2.90	70
821	820	±10%	30	1K	796K	4.40	3.40	66
102	1000	±10%	47	1K	252K	4.00	4.00	58
122	1200	±10%	58	1K	252K	3.60	4.80	55
152	1500	±10%	52	1K	252K	3.40	5.80	47
182	1800	±10%	67	1K	252K	2.60	7.20	44
222	2200	±10%	56	1K	252K	2.50	9.00	38
272	2700	±10%	64	1K	252K	2.40	12.00	34
302	3000	±10%	54	1K	252K	2.30	15.00	32
332	3300	±20%	58	1K	252K	2.00	16.50	30
392	3900	±10%	65	1K	252K	1.80	18.00	29
472	4700	±10%	62	1K	252K	1.70	22.50	27
502	5000	±10%	60	1K	252K	1.60	25.00	25

**Environmental Characteristics - 3626A Series**

Storage Temp:	-40°C to +125°C
Operating Temp:	-25°C to +105°C
Rated Current:	Base on Temp. Rise & ΔL/L = 10% Max.
Temp. Rise:	40°C Max.

**Dimensions**



Series	A	B	C	D	E	F	G	H	I
3626A	7.5±0.3	7.5±0.3	3.5±0.2	4.0±0.2	2.5±0.2	2.6±0.3	2.2 ref.	4.6 ref.	2.8 ref.

**Type 3626 Series**

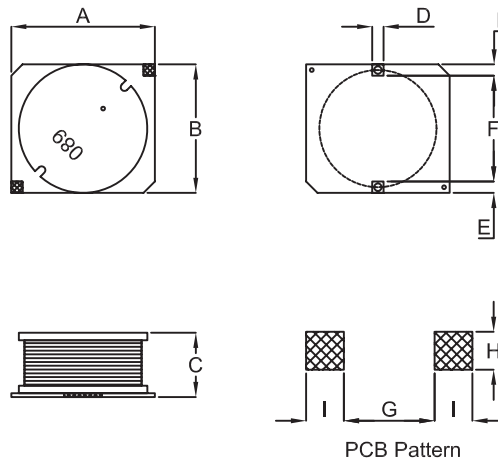
**Electrical Characteristics -  
3626B Series**

Inductance Code	Inductance (µH)	Tolerance	R.D.C. (Ω) Max.	Test Freq. 1V/(HZ)	I.D.C. (A) Max.
100	10	±20%	0.045	1K	4.00
120	12	±20%	0.069	1K	3.60
150	15	±20%	0.075	1K	3.20
220	22	±20%	0.080	1K	3.00
270	27	±20%	0.095	1K	2.80
330	33	±10%	0.100	1K	2.60
390	39	±10%	0.140	1K	2.40
470	47	±10%	0.170	1K	2.20
560	56	±10%	0.200	1K	2.00
680	68	±10%	0.210	1K	1.80
820	82	±10%	0.300	1K	1.60
101	100	±10%	0.320	1K	1.50
151	150	±10%	0.500	1K	1.20
201	200	±10%	0.650	1K	1.00

**Environmental Characteristics -  
3626B Series**

<b>Storage Temp:</b>	-40°C to +125°C
<b>Operating Temp:</b>	-25°C to +105°C
<b>Rated Current:</b>	Base on Temp. Rise & ΔL/L = 10% Max.
<b>Temp. Rise:</b>	40°C Max.

**Dimensions**



Series	A	B	C	D	E	F	G	H	I
3626B	10.0±0	11.1±0.3	4.8±0.2	2.0±0.2	2.0±0.2	7.1±0.3	6.7 ref.	2.4 ref.	2.4 ref.

**How to Order**

3626	A	151	M
Common Part	Style	Inductance	Tolerance
3626	A or B	See Relevant Table for Inductance Code	K - ±10% M - 20%