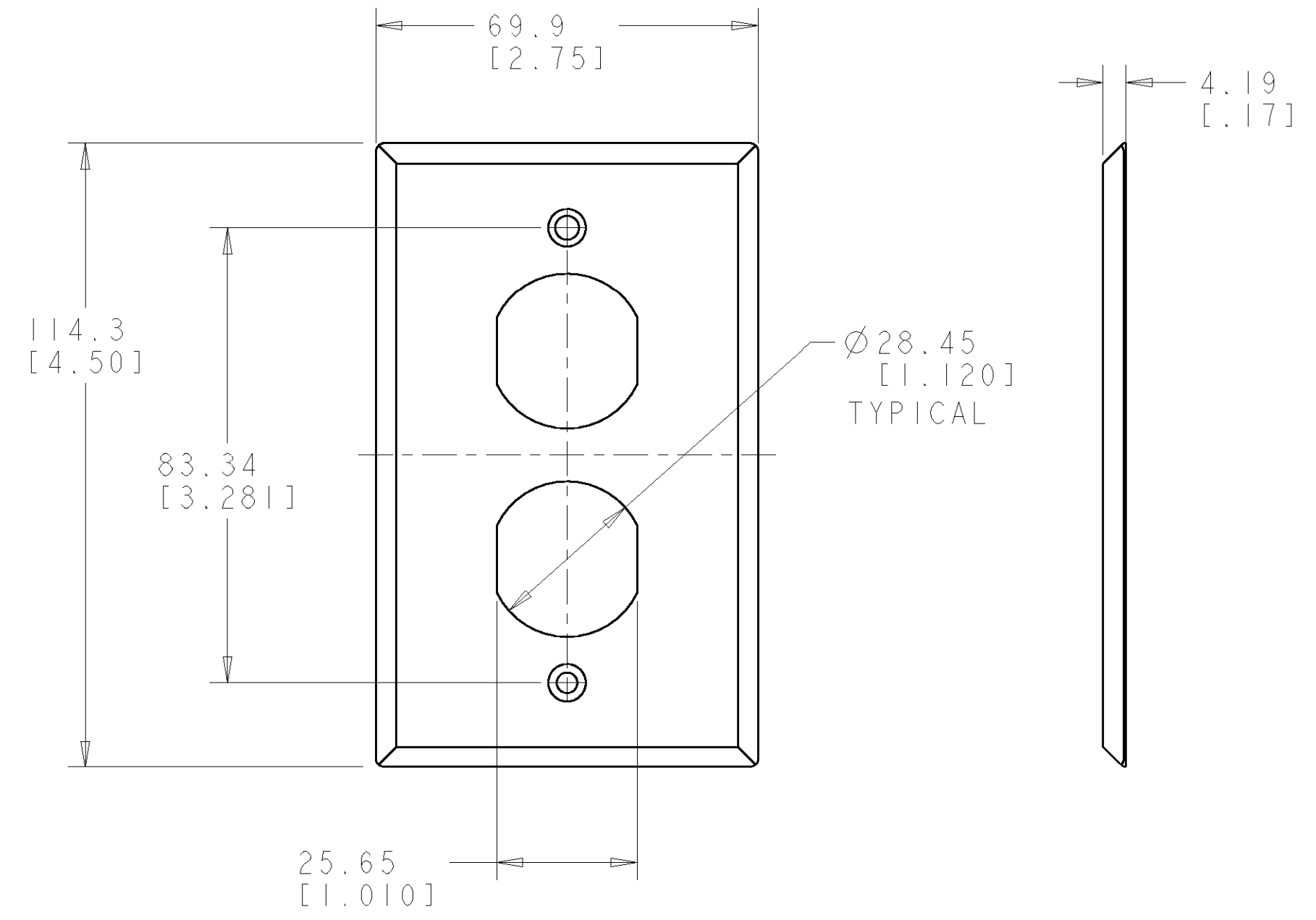
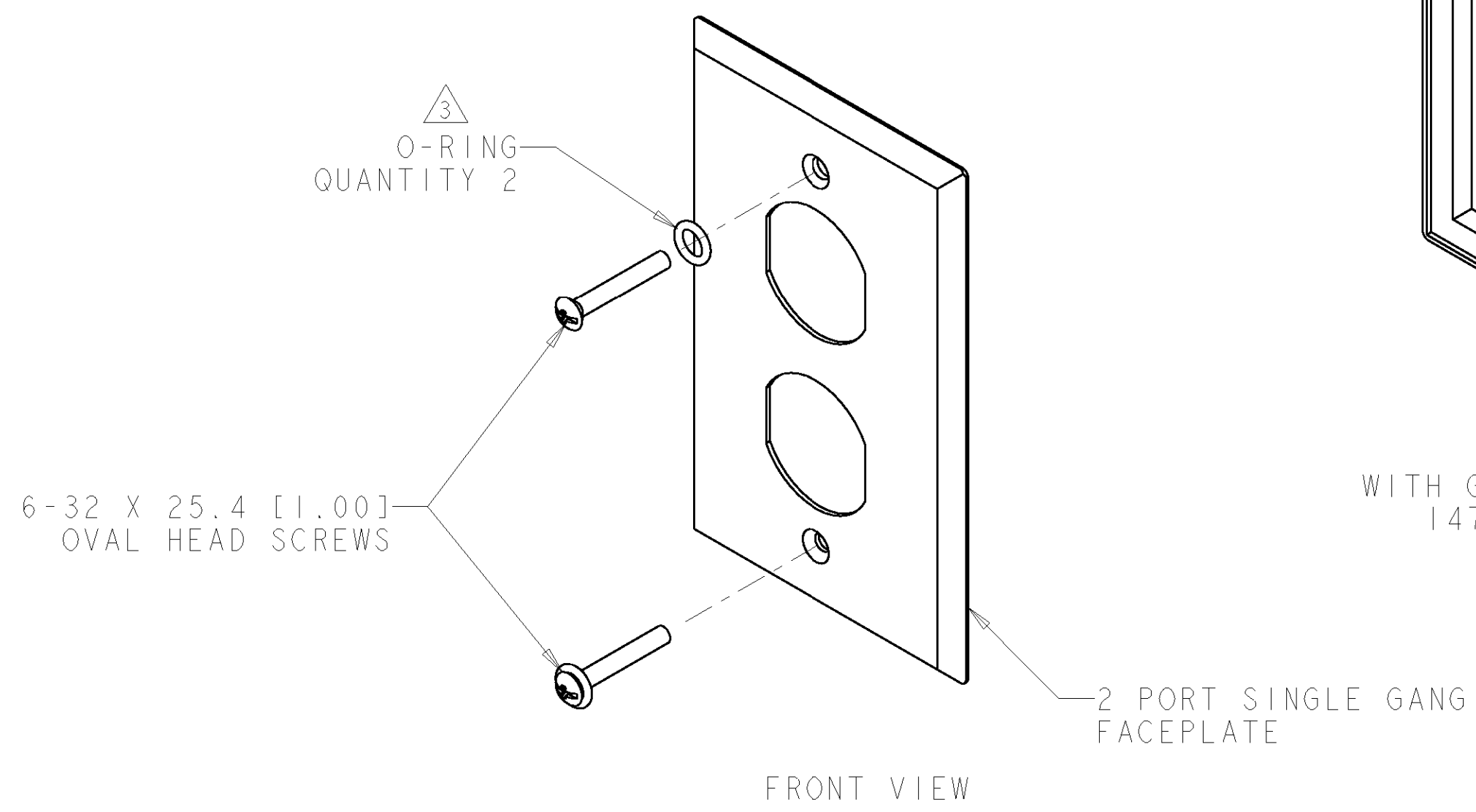
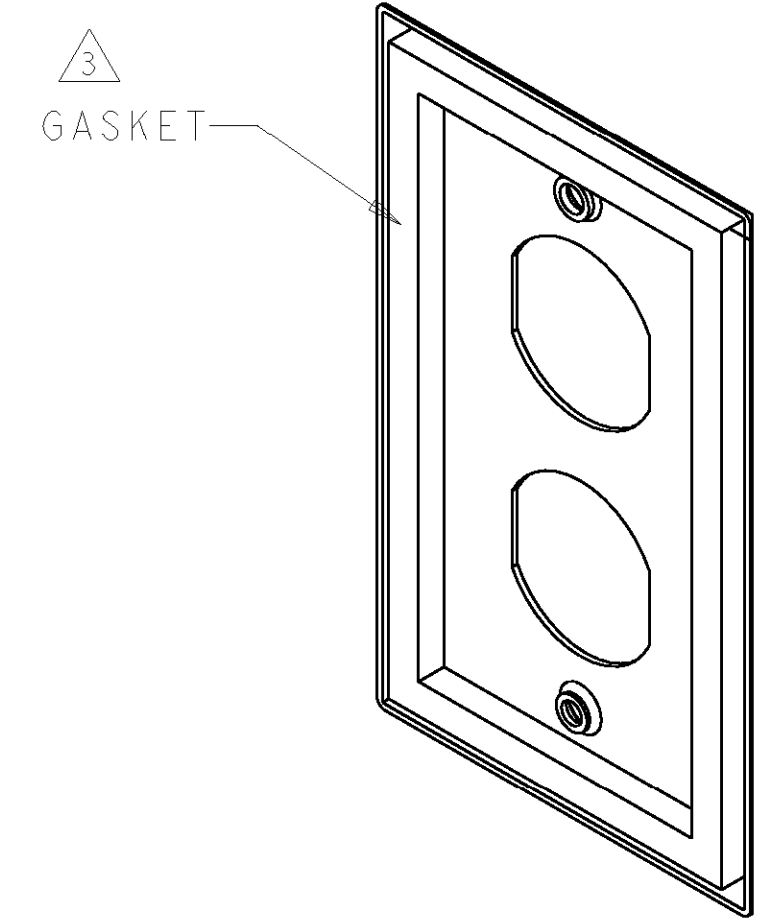


THIS DRAWING IS UNPUBLISHED. RELEASED FOR PUBLICATION 20
 © COPYRIGHT 20 BY TYCO ELECTRONICS CORPORATION. ALL RIGHTS RESERVED.

LOC	DIST	REVISIONS					
HM	00	P	LTR	DESCRIPTION	DATE	DWN	APVD
		A		RLSD; NPR NSD03-079	03NOV03	GG	GB
		B		REV - 0B40-0086-04	21APR2004	LS	GB



- 1 MATERIAL: FACEPLATE - 20 GA. (1.00 [.040] THICK) STAINLESS STEEL.
SCREWS - STAINLESS STEEL.
GASKET - NEOPRENE
O-RING - NITRILE (BUNA N)
- 2. ALL DIMENSIONS SHOWN ARE NOMINAL UNLESS OTHERWISE SPECIFIED.
- 3 1479594-2 SHIPPED WITH O-RINGS INSTALLED ON SCREWS AND GASKET ATTACHED TO STAINLESS STEEL FACEPLATE.



DESCRIPTION	PART NUMBER
WITH GASKET AND O-RING	1479594-2
WITHOUT GASKET AND O-RING	1479594-1

<small>THIS DRAWING IS A CONTROLLED DOCUMENT FOR TYCO ELECTRONICS CORPORATION IT IS SUBJECT TO CHANGE AND THE CONTROLLING ENGINEERING ORGANIZATION SHOULD BE CONTACTED FOR THE LATEST REVISION.</small>		DWN G. GARRETT 03NOV03	tyco Tyco Electronics Harrisburg, PA 17105-3608			
DIMENSIONS: MM [INCHES]		CHK G. BOWMAN 03NOV03				
TOLERANCES UNLESS OTHERWISE SPECIFIED: 0 PLC ± 1 PLC ± 2 PLC ± 3 PLC ± 4 PLC ± ANGLES ± FINISH		APVD G. BOWMAN 03NOV03	NAME KIT, FACEPLATE, STAINLESS STEEL, 2 PORT, SINGLE GANG, ETHERSEAL			
MATERIAL		PRODUCT SPEC -	SIZE A2	CAGE CODE 00779	DRAWING NO 1479594	RESTRICTED TO -
CUSTOMER DRAWING		APPLICATION SPEC -	SCALE 1:1	SHEET 1	OF 1	REV B