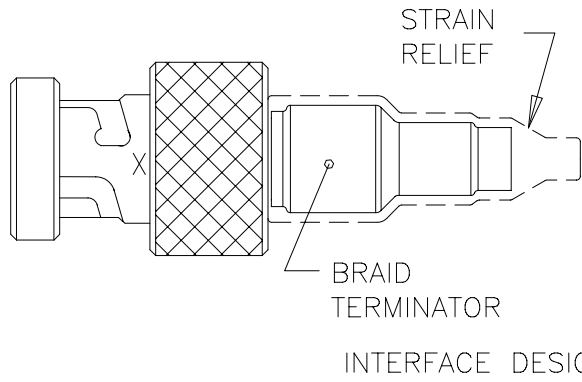
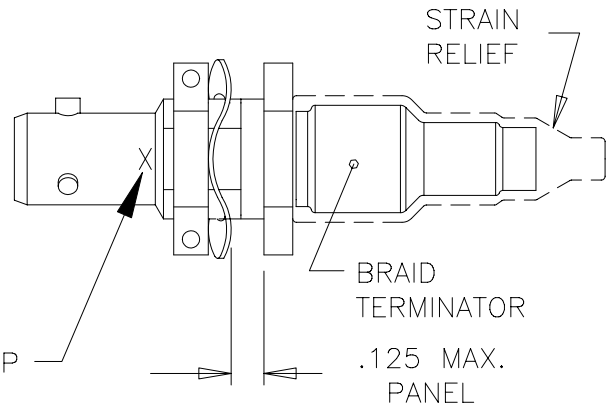


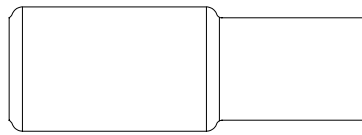
REVISION		
REV	DESCRIPTION	DATE
NC	INITIAL RELEASE PER DCR NUMBER T31878	24JUN2003



PLUG CONNECTOR KIT, TYPICAL

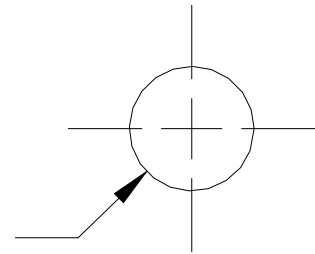


JACK CONNECTOR KIT, TYPICAL

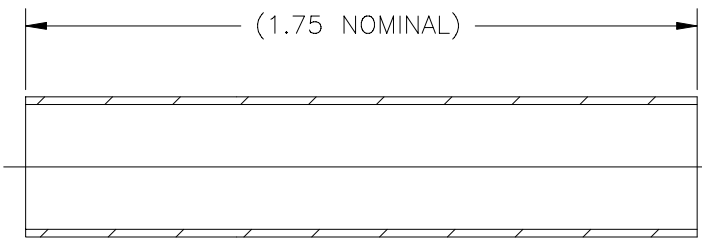


BRAID TERMINATOR
B-070-84

$\phi .325 \begin{matrix} +.005 \\ -.000 \end{matrix}$



JACK MOUNTING HOLE
(PREFERRED)



STRAIN RELIEF (UNRECOVERED): D-600-0173

**If this document is printed it becomes uncontrolled.
Check for the latest revision.**

UNLESS OTHERWISE SPECIFIED
DIMENSIONS ARE INCHES. METRIC
DIMENSIONS ARE IN BRACKETS.

DECIMAL TOLERANCES
.XXX ± 0.005 [0.13 mm]
.XX ± 0.010 [0.25 mm]
.X ± 0.020 [0.50 mm]

ANGLE TOLERANCE
.X ± 0.5 DEG.

WEIGHT
SEE NOTES

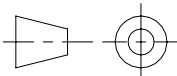
DRAWN
T RATZLAFF

DATE
24JUN2003

MATERIAL

FINISH

THIRD ANGLE
PROJECTION



SPECIFICATION CONTROL DRAWING

tyco
Electronics

TYCO ELECTRONICS
300 CONSTITUTION DRIVE
MENLO PARK, CA 94025

Raychem

TITLE
DATA BUS CONNECTOR KIT,
LIGHTWEIGHT,
LOW OUTGASSING

SIZE
A

CAGE CODE
06090

DWG. NO.

DK-621-L933/L940[-XX]

CAD FILE
T31878A.DWG

DO NOT SCALE THIS DRAWING

SHEET 1 OF 3

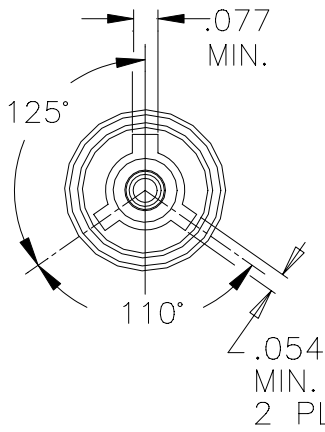


FIGURE 1
PLUG
INTERFACE
"A"

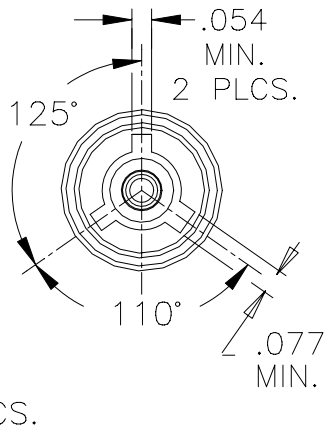


FIGURE 3
PLUG
INTERFACE
"B"

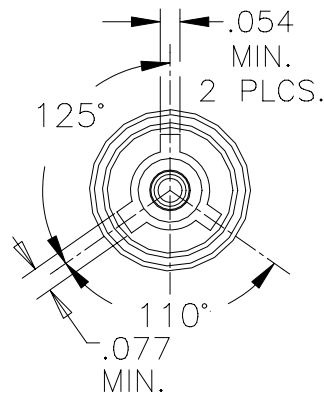


FIGURE 5
PLUG
INTERFACE
"C"

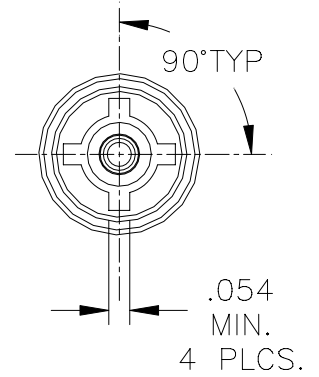


FIGURE 7
PLUG
INTERFACE
"D"

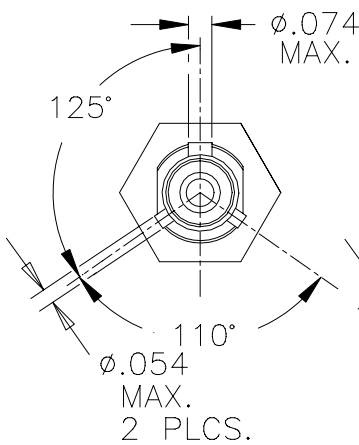


FIGURE 2
JACK
INTERFACE
"A"

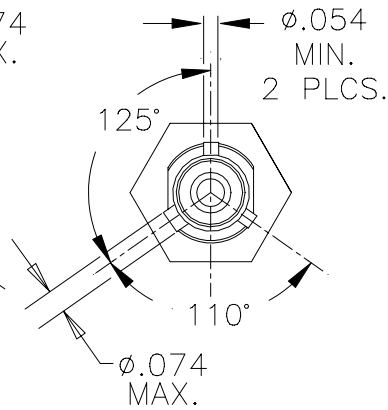


FIGURE 4
JACK
INTERFACE
"B"

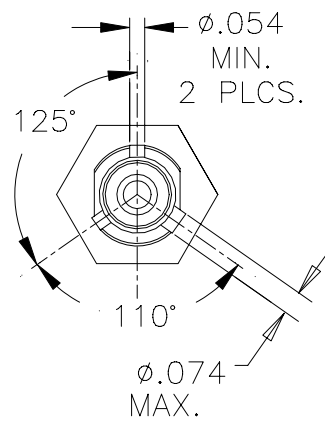


FIGURE 6
JACK
INTERFACE
"C"

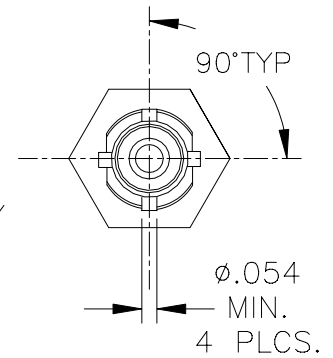


FIGURE 8
JACK
INTERFACE
"D"

NOTES:

1. MAJOR KEY ORIENTATION WITH RESPECT TO FLATS IS NOT CONTROLLED.

**If this document is printed it becomes uncontrolled.
Check for the latest revision.**

SPECIFICATION CONTROL DRAWING

DRAWN
T RATZLAFF
DATE
24JUN2003

CAD FILE
T31878B.DWG



SIZE A	CAGE CODE 06090	DWG. NO. DK-621-L933/L940[-XX]	REV NC
-----------	--------------------	-----------------------------------	-----------

DO NOT SCALE THIS DRAWING

SHEET 2 OF 3

PART No.	CONNECTOR	CONTACT	INTERFACE
DK-621-L933	PLUG	—	A
DK-621-L933-1P	PLUG	PIN	A
DK-621-L933-1S	PLUG	SOCKET	A
DK-621-L934	JACK	—	A
DK-621-L934-1P	JACK	PIN	A
DK-621-L934-1S	JACK	SOCKET	A
DK-621-L935	PLUG	—	B
DK-621-L935-2P	PLUG	PIN	B
DK-621-L935-2S	PLUG	SOCKET	B
DK-621-L936	JACK	—	B
DK-621-L936-2P	JACK	PIN	B
DK-621-L936-2S	JACK	SOCKET	B

PART No.	CONNECTOR	CONTACT	INTERFACE
DK-621-L937	PLUG	—	C
DK-621-L937-3P	PLUG	PIN	C
DK-621-L937-3S	PLUG	SOCKET	C
DK-621-L938	JACK	—	C
DK-621-L938-3P	JACK	PIN	C
DK-621-L938-3S	JACK	SOCKET	C
DK-621-L939	PLUG	—	D
DK-621-L939-4P	PLUG	PIN	D
DK-621-L939-4S	PLUG	SOCKET	D
DK-621-L940	JACK	—	D
DK-621-L940-4P	JACK	PIN	D
DK-621-L940-4S	JACK	SOCKET	D

1. MATERIAL AND FINISHES:

1.1 ALL MATERIALS MEET TML OF 1% MAX. AND CVMC OF 0.1% MAX. WHEN TESTED IN ACCORDANCE WITH ASTM E-595.

1.2 REFER TO THE TYCO ELECTRONICS/RAYCHEM SPECIFICATION CONTROL DRAWINGS LISTED BELOW FOR INDIVIDUAL COMPONENT DETAILS:

2. APPLICATION:

2.1 QUALIFIED TO TYCO ELECTRONICS/RAYCHEM SPECIFICATION D-6025.

2.2 REFER TO RAYCHEM SPECIFICATION D-6025 FOR PERFORMANCE REQUIREMENTS.

2.4 THIS PRODUCT IS NOT INTENDED FOR USE IN HIGH MOISTURE ENVIRONMENTS, NOR INTENDED FOR APPLICATIONS WHERE FLUID IMMERSION IS NECESSARY.

3. TEMPERATURE:

3.1 OPERATING TEMPERATURE: -65°C TO +150°C CONTINUOUS.

4. WEIGHT

4.1 JACK CONNECTOR KIT: 0.0218 LBS, 9.9 GRAMS (MAX).

4.2 PLUG CONNECTOR KIT: 0.0245 LBS, 11.1 GRAMS (MAX).

5. TERMINATION PROCEDURE:

5.1 TERMINATE COMPONENTS PER TYCO ELECTRONICS/RAYCHEM ES61162.

INDIVIDUAL COMPONENTS

D-621-0933/0940	CONNECTOR, TRIAXIAL, BAYONET COUPLED.
D-602-0126	CONTACT, PIN, TWISTED PAIR
D-602-0127	CONTACT, SOCKET, TWISTED PAIR
B-070-84	BRAID TERMINATOR
D-600-0173	STRAIN RELIEF

**If this document is printed it becomes uncontrolled.
Check for the latest revision.**

SPECIFICATION CONTROL DRAWING

DRAWN
T RATZLAFF

DATE
24JUN2003



SIZE
A

CAGE CODE
06090

DWG. NO.

DK-621-L933/L940[-XX]

REV
NC

CAD FILE
T31878C.DWG

DO NOT SCALE THIS DRAWING

SHEET 3 OF 3