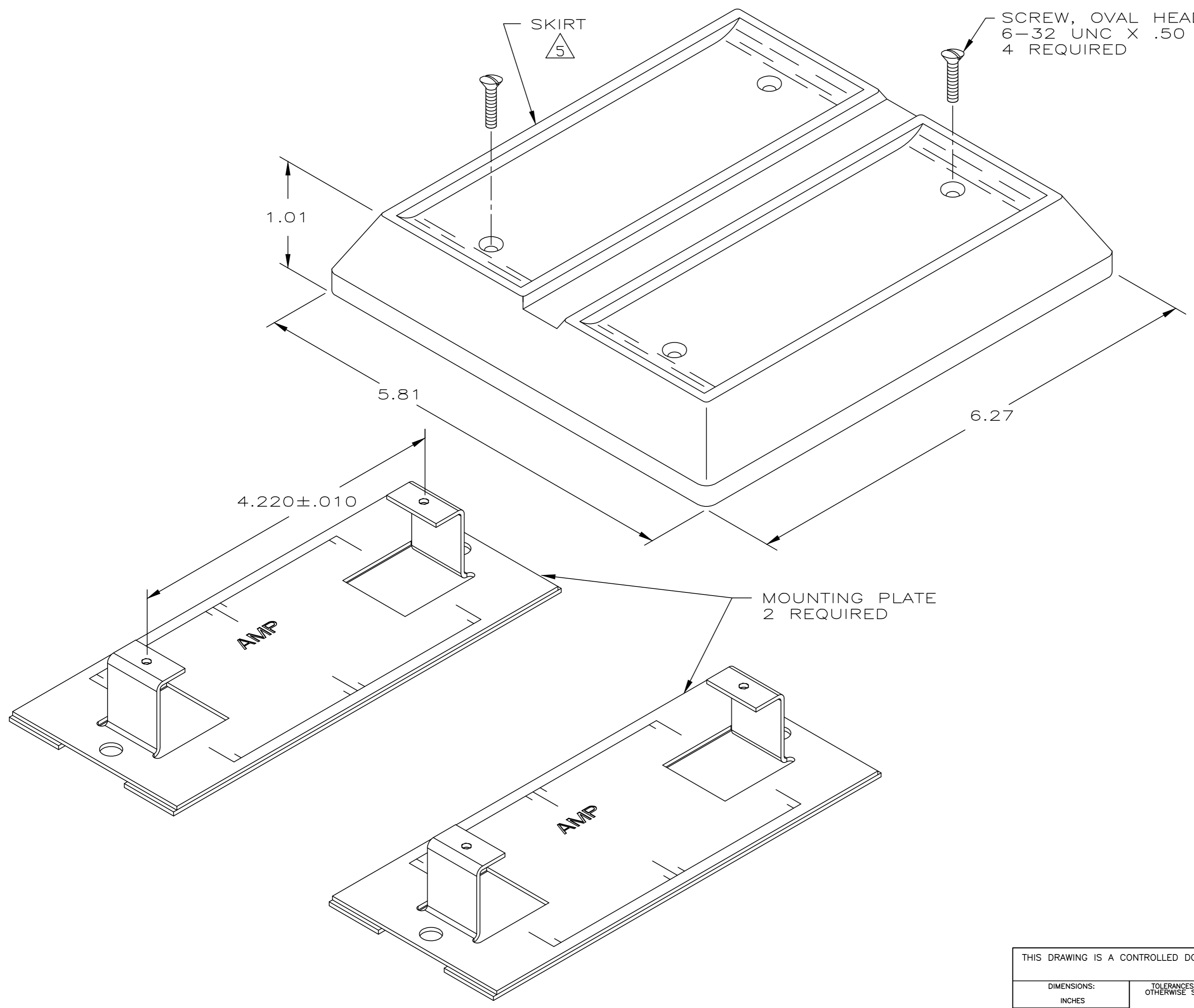


THIS DRAWING IS UNPUBLISHED. RELEASED FOR PUBLICATION
 © COPYRIGHT BY TYCO ELECTRONICS CORPORATION. ALL RIGHTS RESERVED.

LOC	DIST	REVISIONS			
P	LTR	DESCRIPTION	DATE	DWN	APVD
HM	00	E1 REV; MCO-40026404MCO	20NOV2015	HG	RA



1. ALL DIMENSIONS SHOWN ARE MAXIMUM UNLESS OTHERWISE SPECIFIED.
 - 2 MATERIAL:
 SKIRT - FLAME RETARDANT PLASTIC.
 HARDWARE - ZINC OR BLACK OXIDE PLATED CARBON STEEL.
 MOUNTING PLATE - GALVANIZED CARBON STEEL.
 3. KIT SHIPPED UNASSEMBLED.
 4. APPLICATION: USE WITH UNDERCARPET COMMUNICATIONS CABLING SYSTEM. FLOOR FITTING ACCEPTS UP TO FOUR OF THE FOLLOWING (NOT INCLUDED):
 -SL SERIES MODULAR JACK BRACKET 1499543-1, FOR USE WITH SL SERIES MODULAR JACKS OR SL SERIES MULTIMEDIA INSERTS.
 -SL SERIES MODULAR JACK KIT 558054-1
 -SL SERIES MODULAR JACK KIT 1933377-1
- 5 COVER HAS BREAKOUT TABS TO ACCOMODATE MODULAR JACKS OR MULTIMEDIA INSERTS.

BLACK	BLACK	555287-1
SCREW COLOR	SKIRT COLOR	PART NO.

THIS DRAWING IS A CONTROLLED DOCUMENT.		DWN L. HALL 04NOV03	Tyco Electronics Corporation Harrisburg, PA 17105-3608	
DIMENSIONS: INCHES		CHK G. BOWMAN 04NOV03	NAME FLOOR FITTING KIT, COMMUNICATIONS, 4-PORT	
TOLERANCES UNLESS OTHERWISE SPECIFIED:		APVD G. BOWMAN 04NOV03	PRODUCT SPEC	
0 PLC	± -	APPLICATION SPEC		
1 PLC	± -	WEIGHT		
2 PLC	± -	SIZE A2		
3 PLC	± -	CAGE CODE 00779		
4 PLC	± -	DRAWING NO C=555287		
ANGLES	± -	RESTRICTED TO		
FINISH	-	CUSTOMER DRAWING		
MATERIAL - 2		SCALE NTS SHEET 1 OF 1 REV E1		

D

C

555287

B

A