

4

3

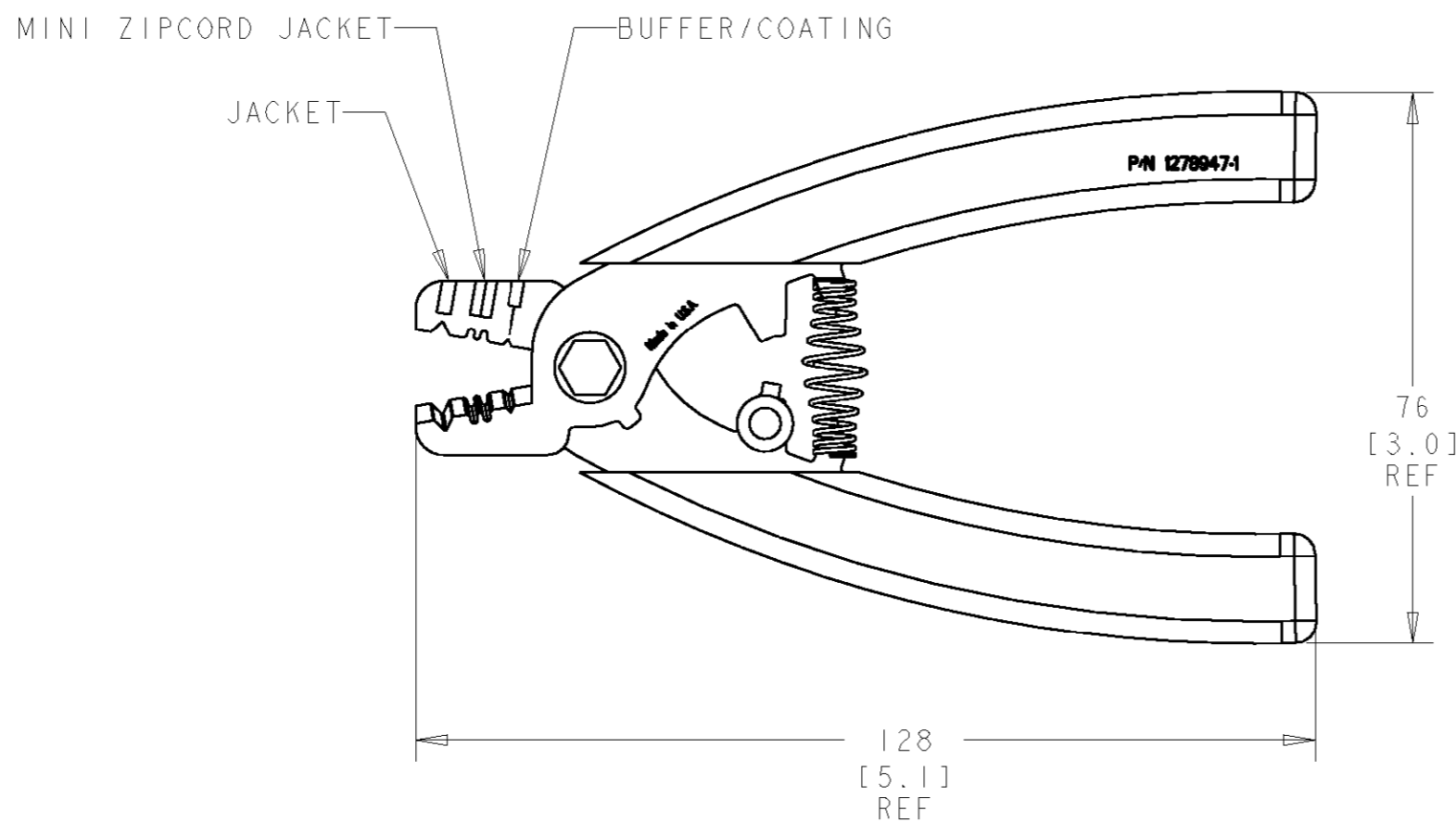
2

1

© 2016 COMMSCOPE, INC. CONFIDENTIAL

NOTICE: THESE DRAWINGS AND SPECIFICATIONS ARE THE PROPRIETARY PROPERTY OF COMMSCOPE, INC. AND MAY BE USED ONLY FOR THE SPECIFIC PURPOSE AUTHORIZED IN WRITING BY COMMSCOPE, INC.

LOC	DIST	REVISIONS					
		P	LTR	DESCRIPTION	DATE	DWN	APVD
CE	16		A	REVISED PER EC 0A00-0045-00	24JAN00	TG	SM
			B	REV PER ECN 8000018488	08FEB17	GG	TE



1278947-1  
PART NUMBER

THIS DRAWING IS A CONTROLLED DOCUMENT.		DWN T. GREEN 08SEP99	<b>COMMSCOPE, INC.</b>													
DIMENSIONS: mm [INCHES]		CHK J. SABO 08SEP99														
TOLERANCES UNLESS OTHERWISE SPECIFIED:		APVD S. BUCHTER 08SEP99														
<table border="1"> <tr><td>0 PLC</td><td>±-</td></tr> <tr><td>1 PLC</td><td>±-</td></tr> <tr><td>2 PLC</td><td>±-</td></tr> <tr><td>3 PLC</td><td>±-</td></tr> <tr><td>4 PLC</td><td>±-</td></tr> <tr><td>ANGLES</td><td>±-</td></tr> </table>		0 PLC	±-	1 PLC	±-	2 PLC	±-	3 PLC	±-	4 PLC	±-	ANGLES	±-	PRODUCT SPEC -	NAME STRIP TOOL, FIBER, COMBINATION	
0 PLC	±-															
1 PLC	±-															
2 PLC	±-															
3 PLC	±-															
4 PLC	±-															
ANGLES	±-															
MATERIAL -		FINISH -	APPLICATION SPEC -	RESTRICTED TO -												
		WEIGHT -	SIZE A3	CAGE CODE C-1278947												
CUSTOMER DRAWING			SCALE	SHEET OF REV B												