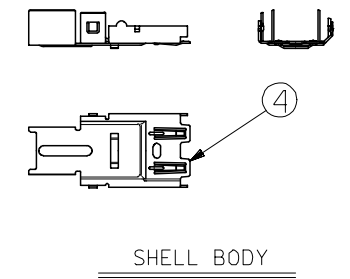
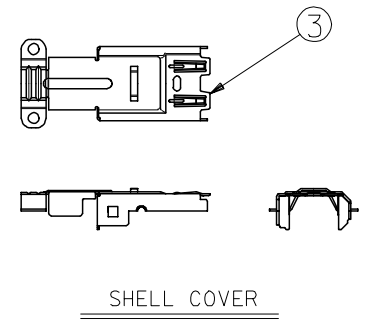
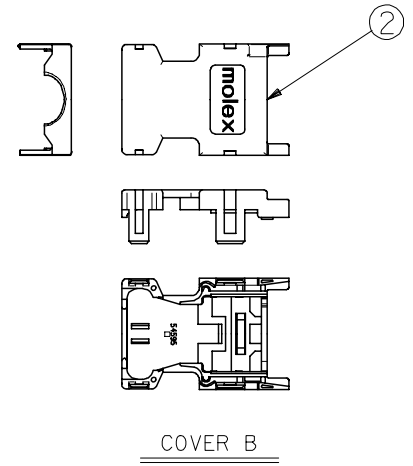
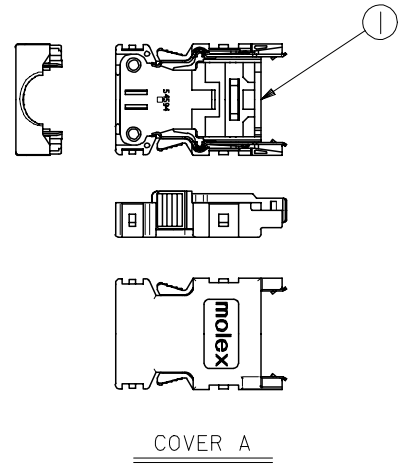
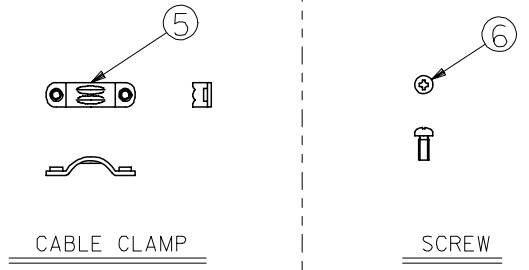


10 9 8 7 6 5 4 3 2 1

部品構成
PARTS CONSTRUCTION

部番 NO.	部品名 PART NAME	製品番号 ENG. NO.	個数 QUAN.	材質 MATERIAL
①	カバー A COVER A	54594-1015	1	カバー A : ガラス入りポリカーボネイト樹脂 COVER A : POLYCARBONATE G.F. UL94V-0 色: グレー UL94V-0 COLOR : GRAY スプリングラッチ: ステンレス鋼 t0.4 SPRING LATCH : STAINLESS STEEL t0.4
②	カバー B COVER B	54595-1005	1	ガラス入りポリカーボネイト樹脂 UL94V-0 色: グレー POLYCARBONATE G.F. UL94V-0 COLOR : GRAY
③	シェル カバー SHELL COVER	58935-1028	1	りん青銅 t0.4 PHOSPHOR BRONZE t0.4
④	シェル ボディ SHELL BODY	58934-1028	1	メッキ仕様: ニッケル下地、錫メッキ PLATING: NICKEL BASE, TIN PLATING
⑤	ケーブルクランプ CABLE CLAMP	58937-0000	1	ステンレス鋼 STAINLESS STEEL
⑥	十字穴付きなべ小ネジ CROSS RECESSED PAN HEAD MACHINE SCREW	58203-0010	2	鋼 (ネジサイズ: M2X5) STEEL (SCREW SIZE : M2X5)

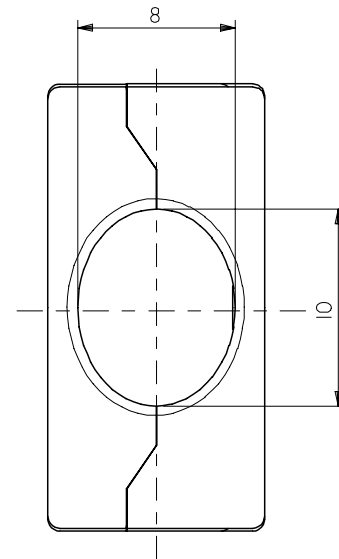
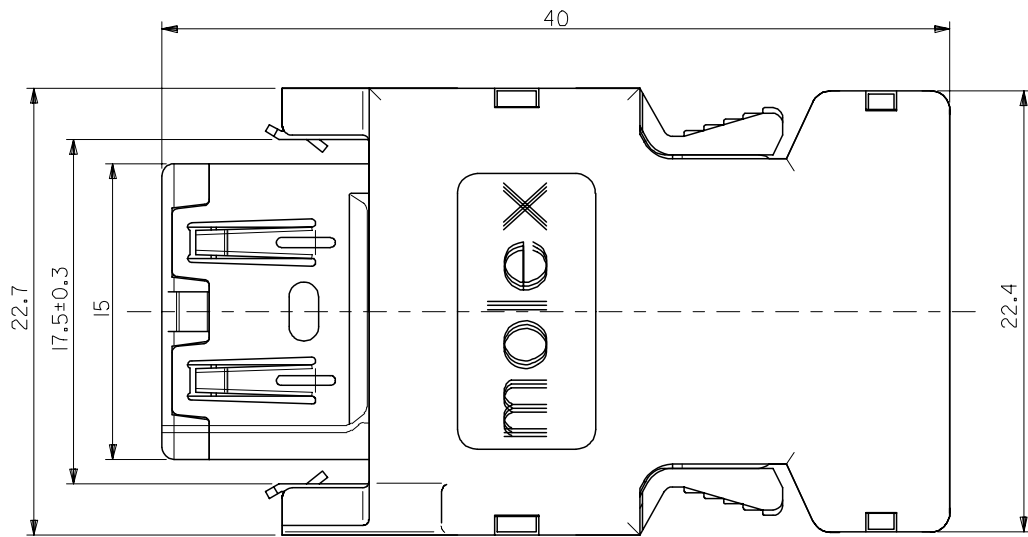
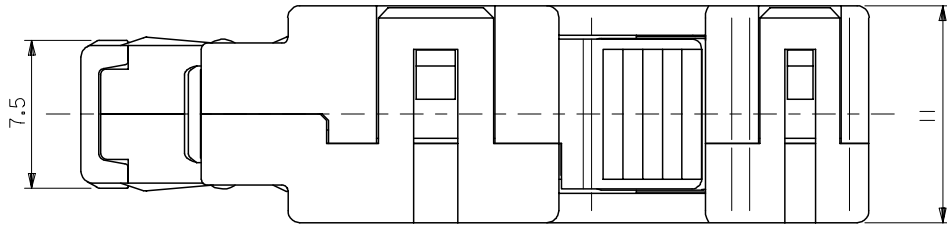


注記
NOTES

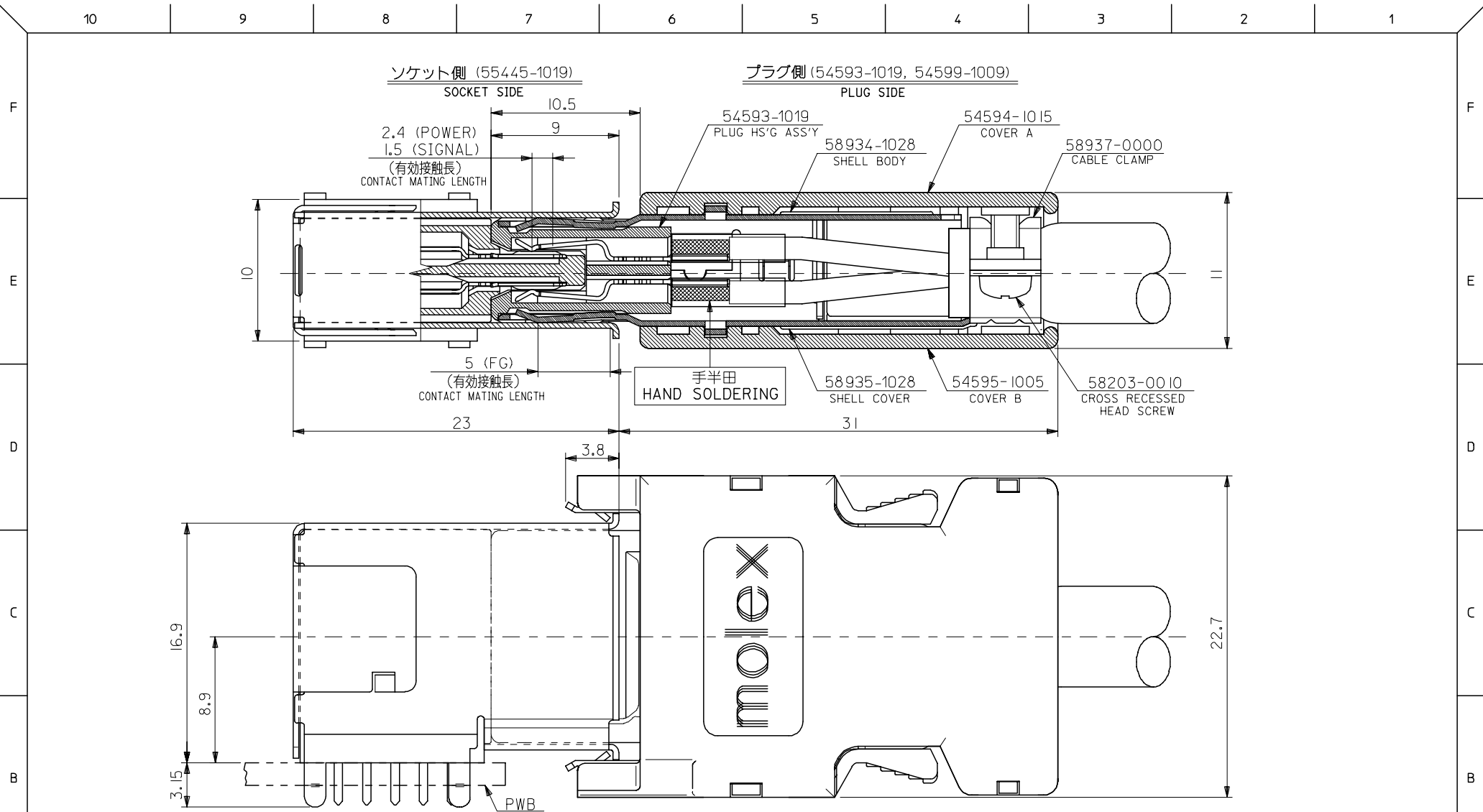
1. 本製品は 54599-1005 の鉛フリー品である。
THIS PRODUCT IS LEAD FREE OF 54599-1005.

54599-1009	54599-100*
MATERIAL.NO	MODEL.NO

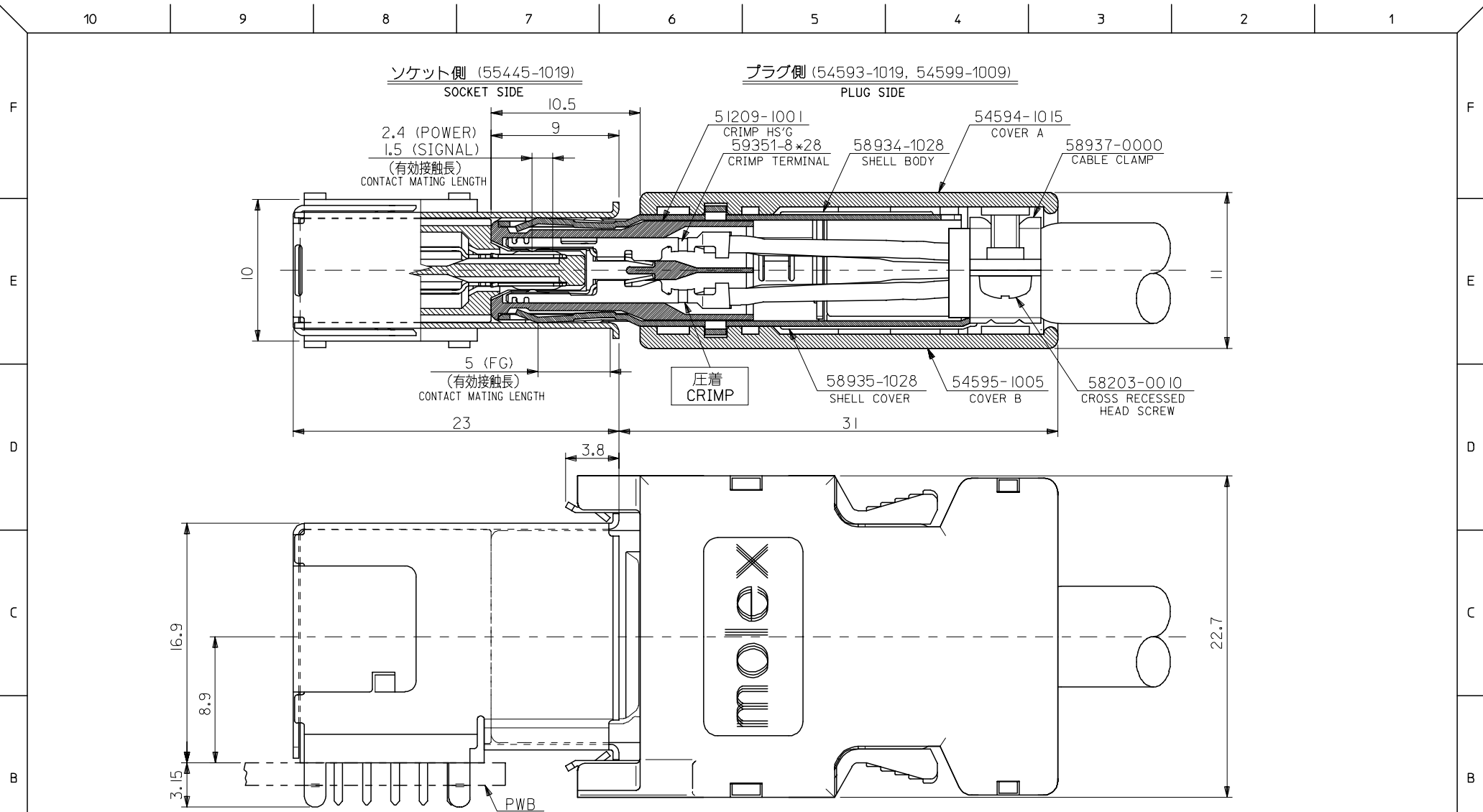
RELEASED EC NO: J2007-0955 DRW: NABEI 2006/10/02 CHK: K. TOYODA 2006/10/05 APPR: NUKITA 2006/10/06	GENERAL TOLERANCES (UNLESS SPECIFIED)		DIMENSION STYLE MM ONLY		SCALE 1:1	DESIGN UNITS METRIC	THIRD ANGLE PROJECTION	
	10 UNDER	±0.2	DRAWN BY M. NABEI	DATE '06/09/28	TITLE 2.0 I/O CONNECTOR SET			
	10 OVER 30 UNDER	±0.25	CHECKED BY K. TOYODA	DATE '06/09/28				
	30 OVER	±0.3	APPROVED BY N. UKITA	DATE '06/09/28	-LEAD FREE- MOLEX INCORPORATED			
	ANGULAR	±3 °	MATERIAL NO.	DOCUMENT NO.				
0	DRAFT WHERE APPLICABLE MUST REMAIN WITHIN DIMENSIONS		SEE CHART		SD-54599-007		1 OF 4	



RELEASED EC NO: J2007-0955 DRWN: NABEI 2006/10/02 CHKDK: TOYODA 2006/10/05 APPR: NUKITA 2006/10/06	GENERAL TOLERANCES (UNLESS SPECIFIED)		DIMENSION STYLE MM ONLY	SCALE 4:1	DESIGN UNITS METRIC	THIRD ANGLE PROJECTION
	10 UNDER	±0.2	DRAWN BY M. NABEI	DATE '06/09/28	TITLE 2.0 I/O CONNECTOR SET	
	10 OVER 30 UNDER	±0.25	CHECKED BY K. TOYODA	DATE '06/09/28	-LEAD FREE-	
	30 OVER	±0.3	APPROVED BY N. UKITA	DATE '06/09/28	MOLEX INCORPORATED	
	ANGULAR	±3 °	MATERIAL NO.	DOCUMENT NO.	SHEET NO.	
DRAFT WHERE APPLICABLE MUST REMAIN WITHIN DIMENSIONS		SIZE A3	SEE CHART	SD-54599-007	2 OF 4	



RELEASED EC NO: J2007-0955 DRWN: M.NABE I 2006/10/02 CHKDK: K.TOYODA 2006/10/05 APPR: N.UKITA 2006/10/06	GENERAL TOLERANCES (UNLESS SPECIFIED)		DIMENSION STYLE MM ONLY	SCALE 4:1	DESIGN UNITS METRIC	THIRD ANGLE PROJECTION
	10 UNDER	±0.2	DRAWN BY M.NABE I	DATE '06/09/28	TITLE 2.0 I/O CONNECTOR SET	
	10 OVER 30 UNDER	±0.25	CHECKED BY K.TOYODA	DATE '06/09/28	-LEAD FREE-	
	30 OVER	±0.3	APPROVED BY N.UKITA	DATE '06/09/28	MOLEX INCORPORATED	
	ANGULAR	±3 °	MATERIAL NO.	DOCUMENT NO.	SHEET NO.	
DRAFT WHERE APPLICABLE MUST REMAIN WITHIN DIMENSIONS		SIZE A3	SEE CHART	SD-54599-007	3 OF 4	



RELEASED EC NO: J2007-0955 DRWN: M.NABE I 2006/10/02 CHKD: K.TOYODA 2006/10/05 APPR: N.UKITA 2006/10/06	GENERAL TOLERANCES (UNLESS SPECIFIED)		DIMENSION STYLE MM ONLY		SCALE 4:1	DESIGN UNITS METRIC	THIRD ANGLE PROJECTION	
	10 UNDER	±0.2	DRAWN BY M.NABE I	DATE '06/09/28	TITLE 2.0 I/O CONNECTOR SET			
	10 OVER 30 UNDER	±0.25	CHECKED BY K.TOYODA	DATE '06/09/28	-LEAD FREE-			
	30 OVER	±0.3	APPROVED BY N.UKITA	DATE '06/09/28	MOLEX MOLEX INCORPORATED			
	ANGULAR	±3 °	MATERIAL NO.	DOCUMENT NO.	SD-54599-007		SHEET NO. 4 OF 4	
0	DRAFT WHERE APPLICABLE MUST REMAIN WITHIN DIMENSIONS		SEE CHART		THIS DRAWING CONTAINS INFORMATION THAT IS PROPRIETARY TO MOLEX INCORPORATED AND SHOULD NOT BE USED WITHOUT WRITTEN PERMISSION			