

PLEASE CHECK WWW.MOLEX.COM FOR LATEST PART INFORMATION

Part Number: [0716910003](#)
Status: **Active**
Overview: LFH™ Interconnect System
Description: 1.27mm Pitch LFH™ Matrix 50 Receptacle Cable Kit, 60 Circuits

Documents:

[3D Model](#) [Application Specification AS-71624-001 \(PDF\)](#)
[Drawing \(PDF\)](#) [RoHS Certificate of Compliance \(PDF\)](#)
[Application Specification AS-70929-001 \(PDF\)](#)

Agency Certification

CSA LR19980

General

Product Family I/O Connectors
 Series [71691](#)
 Application Wire-to-Board
 Comments Stick Loading Tool 62200-1600 may be used for Inserting Sticks into Subassembly
 Component Type Receptacle
 Overview [LFH™ Interconnect System](#)
 Product Name LFH™
 Type N/A
 UPC 800754352857

Physical

Circuits (Loaded) 60
 Circuits (maximum) 60
 Color - Resin Black
 Flammability 94V-0
 Lock to Mating Part None
 Material - Metal Aluminum
 Material - Plating Mating Gold
 Material - Plating Termination Tin-Lead
 Material - Resin High Temperature Thermoplastic
 Net Weight 5.217/g
 Orientation Vertical
 PCB Retention N/A
 Packaging Type Tray
 Panel Mount No
 Pitch - Mating Interface 1.27mm
 Plating min - Mating 0.762µm
 Plating min - Termination 2.540µm
 Polarized to Mating Part Yes
 Surface Mount Compatible (SMC) N/A
 Temperature Range - Operating -20°C to +80°C
 Termination Interface: Style N/A
 Wire Size AWG 28, 30, 32, 34, 36

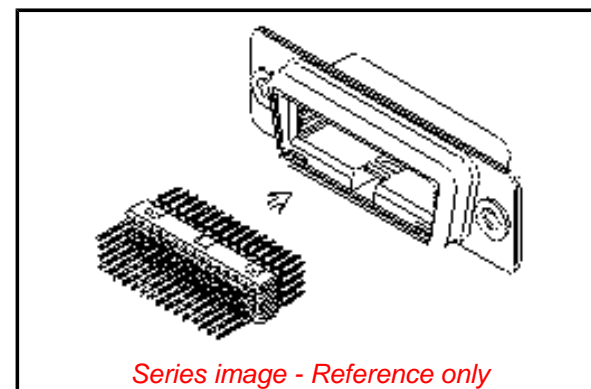
Electrical

Current - Maximum per Contact 1.0A
 Shielded Yes
 Voltage - Maximum 40V

Material Info

Reference - Drawing Numbers

Application Specification AS-70929-001, AS-71624-001



Series image - Reference only

EU ELV

Not Relevant

EU RoHS

Compliant

REACH SVHC

Not Contained Per - ED/108/2014 (17 Dec 2014)

Halogen-Free

Status

Low-Halogen

Need more information on product environmental compliance?

Email productcompliance@molex.com
 Please visit the [Contact Us](#) section for any non-product compliance questions.

China ROHS

ELV

Green Image

Not Relevant

Search Parts in this Series

[71691](#) Series

Mates With

[70929](#)

Application Tooling | FAQ

Tooling specifications and manuals are found by selecting the products below. Crimp Height Specifications are then contained in the Application Tooling Specification document.

Global

Description

Product #

Terminal Stick	0622001600
Insertion Tool For LFH™ Series 71691 and 70985	

This document was generated on 09/30/2016

PLEASE CHECK WWW.MOLEX.COM FOR LATEST PART INFORMATION