

**PLEASE CHECK WWW.MOLEX.COM FOR LATEST PART INFORMATION**

**Part Number:** [0545972600](#)  
**Status:** **Active**  
**Overview:** Mini Mi II™ Wire Harness  
**Description:** Mini Mi II Connector Position Assurance (CPA) Retainer, 26 Circuits

**Documents:**

<a href="#">3D Model</a>	<a href="#">Product Specification PS-55659-004-001 (PDF)</a>
<a href="#">Drawing (PDF)</a>	<a href="#">Product Specification PS-55659-005-001 (PDF)</a>
<a href="#">Product Specification PS-54596-007-001 (PDF)</a>	<a href="#">RoHS Certificate of Compliance (PDF)</a>
<a href="#">Product Specification PS-54596-019-001 (PDF)</a>	

**General**

Product Family	Accessories
Series	<a href="#">54597</a>
Component Type	Connector Position Assurance
Overview	<a href="#">Mini Mi II™ Wire Harness</a>
Product Name	CPA - Conn Pos Assurance, Mini Mi II
UPC	800753281073

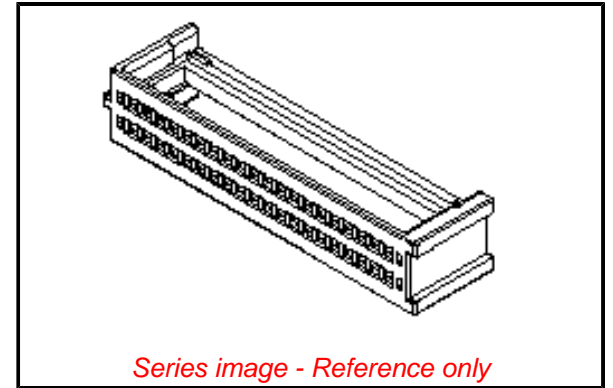
**Physical**

Circuits (Loaded)	26
Circuits (maximum)	26
Color - Resin	Natural
Gender	Female
Material - Resin	Nylon
Net Weight	276.600/mg
Number of Rows	2
Packaging Type	Bag
Temperature Range - Operating	-40°C to +105°C

**Material Info**

**Reference - Drawing Numbers**

Product Specification	PS-54596-007-001, PS-54596-019-001, PS-55659-004-001, PS-55659-005-001
Sales Drawing	SD-54597-002



**EU ELV**

**Not Relevant**

**EU RoHS**

**Compliant**

**REACH SVHC**

Not Contained Per  
-ED/01/2018 (15  
January 2018)

**Halogen-Free**

**Status**

**Not Low-Halogen**

**Need more information on product environmental compliance?**

Email [productcompliance@molex.com](mailto:productcompliance@molex.com)  
Please visit the [Contact Us](#) section for any non-product compliance questions.

China ROHS

ELV

RoHS Phthalates

Green Image

Not Relevant

Not Contained

**Search Parts in this Series**

[54597](#) Series

**Use With**

[54596](#)