

4

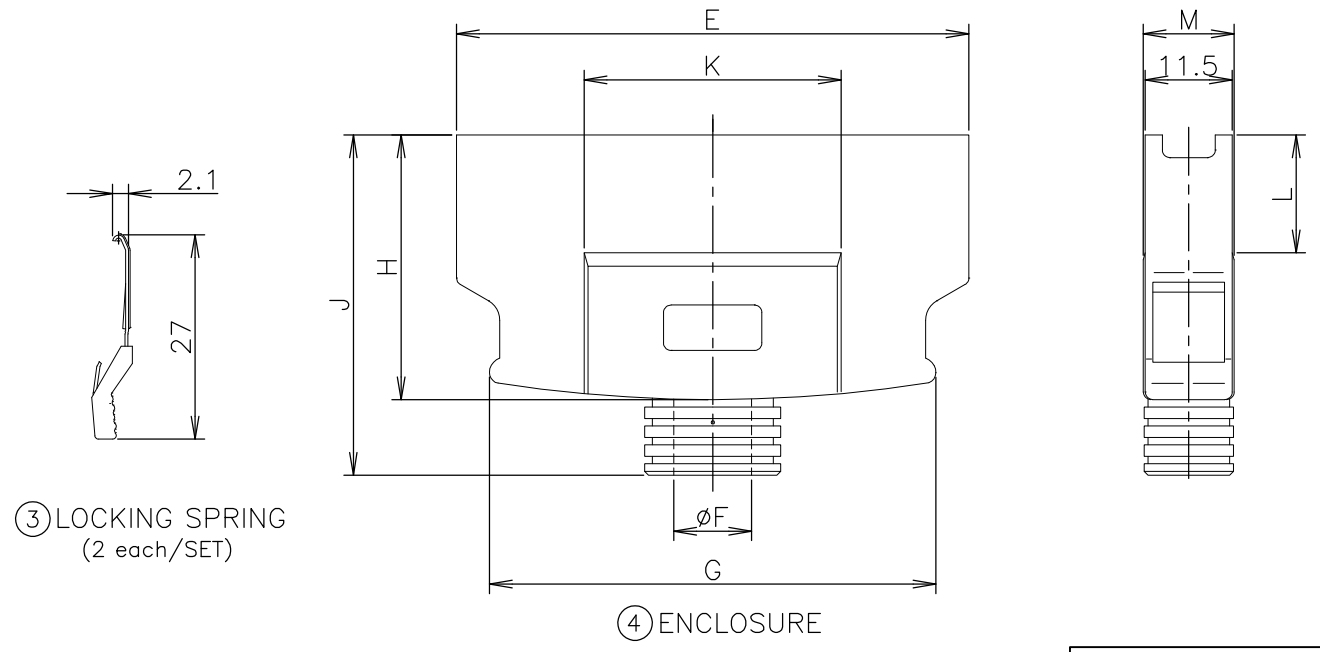
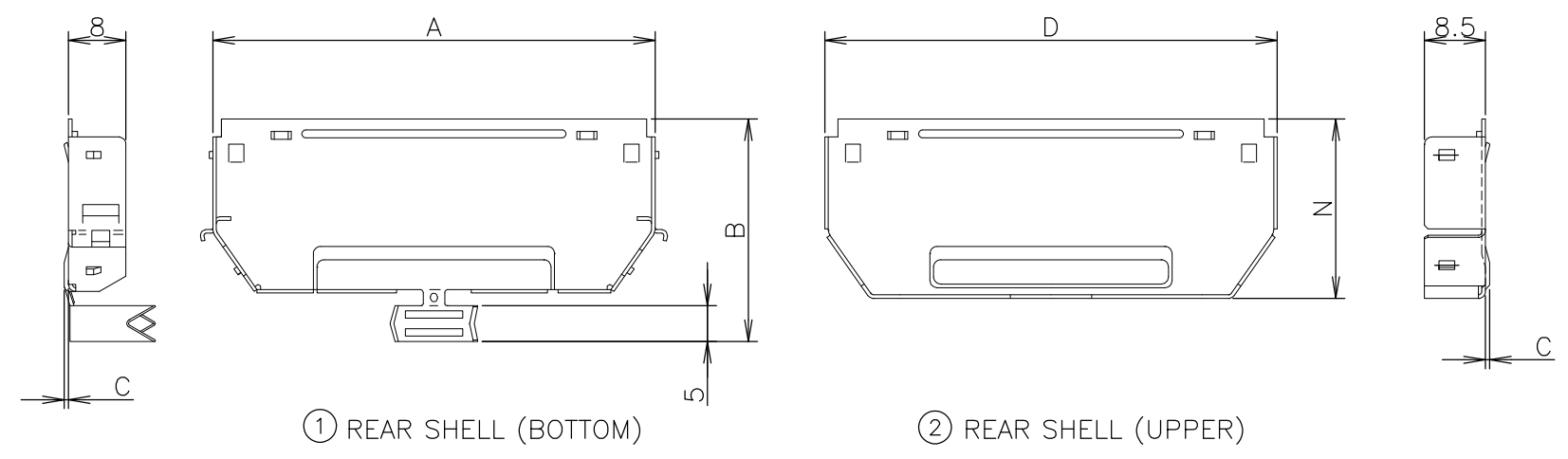
3

2

1

THIS DRAWING IS UNPUBLISHED. RELEASED FOR PUBLICATION OCT., 2000.
 © COPYRIGHT 2000 By - ALL RIGHTS RESERVED.

LOC	DIST	REVISIONS			
P	LTR	DESCRIPTION	DATE	DWN	APVD
J		G1	PER ECO-13-016951	15AUG2014	BL JY



1 - -0; AS SHOWN

80	61.80	31	0.6	63.10	67.75	10.3	59.05	35	45	34	15.6	11.8	25
100	74.50	33	1.3	75.80	80.45	11.2	71.75	37	47	38	12.5	13.5	27
68	54.18	28	0.6	55.48	60.13	9.8	51.43	32	42	30	14.3	12.0	22
50	42.75	28	*	44.05	48.70	8.7	40.00	32	42	13	*	11.5	22
36	33.86	28	*	35.16	39.81	8.1	31.11	32	42	13	*	11.5	22
26	27.51	28	*	28.81	33.46	7.1	24.76	32	42	13	*	11.5	22
20	23.70	28	*	25.00	29.65	6.7	20.95	32	42	13	*	11.5	22
14	19.89	28	*	21.19	25.84	6.3	17.14	32	42	13	*	11.5	22
POSN	A	B	C	D	E	F	G	H	J	K	L	M	N

GENERAL TOLERANCE
 10 ≥ : ±0.2
 30 ≥ > 10: ±0.25
 100 ≥ > 30: ±0.3
 ANGLES: ±3°

ITEM	MATERIAL	FINISH
① ②	STEEL t=0.5	NICKEL PL. OVER COPPER PL.
③	STAINLESS STEEL	
	THERMOPLASTIC UL94V-0	
④	G.F THERMOPLASTIC UL94V-0	COLOR:SEE ANOTHER TABLE

RECOMMENDED CABLE DIA	COLOR	POSN	P/NO.
OBSOLETE		80	3-176793-0
OBSOLETE		100	2-176793-9
OBSOLETE		68	2-176793-8
OBSOLETE		50	2-176793-7
6.4~7.9		36	2-176793-5
5.9~6.9		26	2-176793-4
5.4~6.5		20	2-176793-2
OBSOLETE	BLACK	14	2-176793-1
OBSOLETE		80	1-176793-0
9.9~11.0		100	1-176793-9
8.1~9.6		68	1-176793-8
OBSOLETE		50	1-176793-7
OBSOLETE		36	1-176793-5
5.9~6.9		26	1-176793-4
OBSOLETE		20	1-176793-2
OBSOLETE	BEIGE WHITE	14	1-176793-1

THIS DRAWING IS A CONTROLLED DOCUMENT.

DIMENSIONS: mm	TOLERANCES UNLESS OTHERWISE SPECIFIED:
	0 PLC ±
	1 PLC ±
	2 PLC ±
	3 PLC ±
	4 PLC ±
	ANGLES ±
MATERIAL SEE TABLE	FINISH SEE TABLE

DWN T.KAWAMAE 100CT00		TE Connectivity
CHK H.MURAMATSU 110CT00		
APVD H.MURAMATSU 110CT00		
PRODUCT SPEC		
APPLICATION SPEC	NAME	
108-5288	SHIELD CASE KIT	
114-5166	WITHOUT LOGO	
WEIGHT	CHAMP.050 SERIES II STD-TYPE	
CUSTOMER DRAWING	SIZE A3	CAGE CODE 00779
	DRAWING NO	RESTRICTED TO
	G-176793	
SCALE 1:1	SHEET 1 OF 1	REV G1